



Illustrated Parts Manual

Model 260MRT

3121109

October 10, 2013

ANSI



An Oshkosh Corporation Company

REVISION LOG

March 27, 2000 - Original Issue Of Manual (Edited to Rev. 5)
July 5, 2000 - Updated Pages 1-2, 1-3, 6-2, 6-3 & 6-4
September 5, 2000 - Revised Manual (Revised to B/M 0010567 Revision 9)
February 1, 2001 - Revised Manual (Revised to B/M 0010567 Revision 14)
February 1, 2002 - Revised Manual (Revised to B/M 0010567 Revision 16)
July 15, 2002 - Revised Manual (Revised to B/M 0010567 Revision 21)
February 11, 2003 - Revised Manual (Revised to B/M 0010567 Revision 22)
May 1, 2003 - Revised Manual (Revised to B/M 0010567 Revision 26)
August 15, 2003 - Revised Manual (Revised to B/M 0010567 Revision 28)
March 4, 2004 - Revised Manual (Revised to B/M 0010567 Revision 30)
August 15, 2004 - Revised Manual (Revised to B/M 0010567 Revision 31)
February 7, 2005 - Revised Manual (Revised to B/M 0010567 Revision 37)
February 27, 2006 - Revised Manual (Revised to B/M 0010567 Revision 45)
July 15, 2006 - Revised Manual (Revised to B/M 0010567 Revision 45)
December 18, 2006 - Revised Manual (Revised to B/M 0010567 Revision 45)
April 15, 2007 - Revised Manual (Revised to B/M 0010567 Revision 45)
November 1, 2007 - Revised Manual (Revised to B/M 0010567 Revision 45)
May 31, 2008 - Revised Manual (Revised to B/M 0010567 Revision 53)
June 1, 2009 - Revised Manual (Revised to B/M 0010567 Revision 55)
December 31, 2010 - Revised Manual (Revised to B/M 0010567 Revision 55)
April 26, 2011 - Revised Manual (Revised to B/M 0010567 Revision 60)
July 21, 2011 - Revised Manual (Revised to B/M 0010567 Revision 60)
October 5, 2011 - Revised Manual (Revised to B/M 0010567 Revision 60)
February 2, 2012 - Revised Manual (Revised to B/M 0010567 Revision 60)
June 26, 2012 - Revised Manual (Revised to B/M 0010567 Revision 60)
September 6, 2012 - Revised Manual (Revised to B/M 0010567 Revision D)
January 18, 2013 - Revised Manual (Revised to B/M 0010567 Revision D)
April 16, 2013 - Revised Manual (Revised to B/M 0010567 Revision E)
July 15, 2013 - Revised Manual (Revised to B/M 0010567 Revision E)
October 10, 2013 - Revised Manual (Revised to B/M 0010567 Revision E)

REVISION LOG

TABLE OF CONTENTS

FIGURE NO.	TITLE	PAGE NO.
SECTION 1 - FRAME1-1		
1-1	FRAME AND STEERING INSTALLATION	1-2
1-2	MOTOR/BRAKE/HUB ASSEMBLY (REAR) (PRIOR TO S/N 0200078291 & S/N 0200104784 TO PRESENT)	1-6
1-3	MOTOR/BRAKE/HUB ASSEMBLY (REAR) (S/N 0200078291 TO S/N 0200104784 ONLY)	1-10
1-4	MOTOR/BRAKE/HUB ASSEMBLY (FRONT) (PRIOR TO S/N 0200078291 & S/N 0200112814 TO PRESENT)	1-14
1-5	MOTOR/BRAKE/HUB ASSEMBLY (FRONT) (S/N 0200078291 TO S/N 0200112814 ONLY)	1-16
1-6	FRAME MOUNTED COMPONENTS INSTALLATION	1-18
1-7	LEVELING JACKS INSTALLATION (PRIOR TO S/N 0200141689)	1-22
1-8	LEVELING JACKS AUTO LEVEL INSTALLATION (S/N 0200141689 TO PRESENT) ..	1-26
SECTION 2 - GROUND CONTROLS2-1		
2-1	CONTROL VALVES AND TANK INSTALLATION	2-2
2-2	MAIN VALVE ASSEMBLY	2-6
2-3	FLOW DIVIDER ASSEMBLY	2-8
2-4	KUBOTA ENGINE INSTALLATION (DUAL FUEL) (PRIOR TO S/N 0200212108)	2-10
2-5	KUBOTA ENGINE INSTALLATION (DUAL FUEL) (S/N 0200212108 TO PRESENT) ..	2-16
2-6	KUBOTA ENGINE INSTALLATION (DIESEL)	2-22
2-7	VARIABLE DISPLACEMENT PUMP ASSEMBLY (PRIOR TO S/N 0200117591)	2-28
2-8	VARIABLE DISPLACEMENT PUMP ASSEMBLY (S/N 0200117591 TO PRESENT) ..	2-32
2-9	GEAR PUMP ASSEMBLY (PRIOR TO S/N 0200111922)	2-36
2-10	GEAR PUMP ASSEMBLY (S/N 0200111922 TO PRESENT)	2-38
2-11	GROUND CONTROLS INSTALLATION	2-40
2-12	HOODS INSTALLATION	2-44
2-13	GENERATOR INSTALLATION	2-48
SECTION 3 - SCISSOR ARMS3-1		
3-1	SCISSOR ARMS INSTALLATION	3-2
SECTION 4 - PLATFORM4-1		
4-1	PLATFORM COMPONENTS INSTALLATION	4-2
4-2	HANDRAIL INSTALLATION (DRYWALL DROP GATE)	4-4
4-3	HANDRAIL INSTALLATION (SWING GATE)	4-8
4-4	CONSOLE BOX ASSEMBLY	4-12
4-5	DRIVE/STEER P/Q CONTROLLER ASSEMBLY (PRIOR TO S/N 0200142023)	4-16
4-6	DRIVE/STEER J.R. MERRITT CONTROLLER ASSEMBLY (S/N 0200142023 TO PRESENT)	4-18
4-7	PLATFORM RAIL PADDING/DECK BUMPERS INSTALLATION	4-20
SECTION 5 - CYLINDER5-1		
5-1	LEVELING JACKS CYLINDER ASSEMBLY (PRIOR TO S/N 0200105371)	5-2
5-2	LEVELING JACKS CYLINDER ASSEMBLY (S/N 0200105371 TO S/N 0200141689) ..	5-4
5-3	LEVELING JACKS CYLINDER ASSEMBLY (AUTO LEVEL) (S/N 0200141689 TO PRESENT)	5-6
5-4	LIFT CYLINDER COMPONENTS ASSEMBLY	5-8
5-5	STEER CYLINDER ASSEMBLY	5-12

TABLE OF CONTENTS

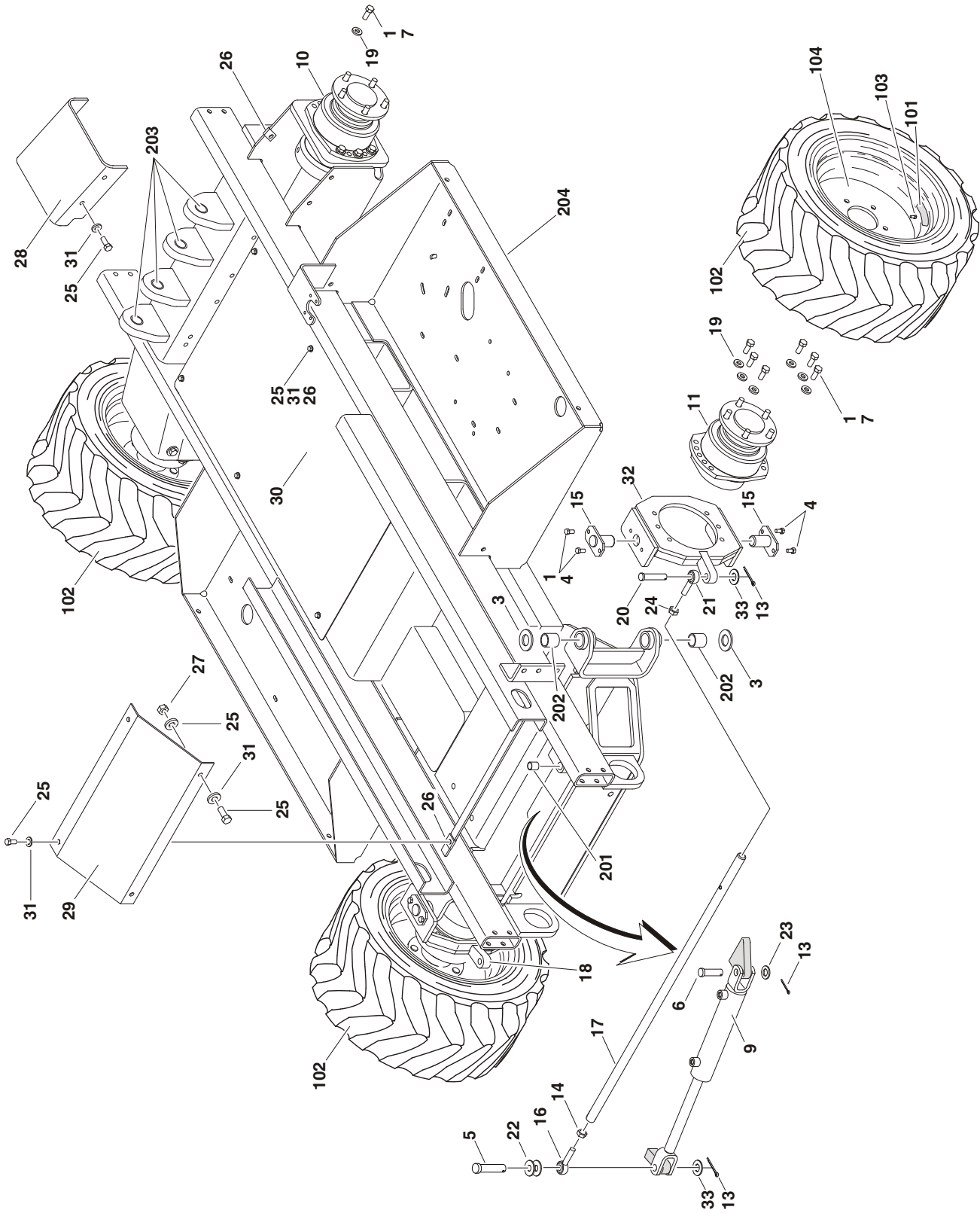
FIGURE NO.	TITLE	PAGE NO.
SECTION 6 - HYDRAULIC		6-1
6-1	DRIVE HYDRAULIC DIAGRAM (STANDARD) (PRIOR TO S/N 0200141689)	6-2
6-2	DRIVE HYDRAULIC DIAGRAM (STANDARD) (S/N 0200141689 TO PRESENT)	6-6
6-3	DRIVE HYDRAULIC DIAGRAM (LEVELING JACKS) (PRIOR TO S/N 0200141689)	6-10
6-4	DRIVE HYDRAULIC DIAGRAM (AUTO LEVEL LEVELING JACKS) (S/N 0200141689 TO PRESENT)	6-12
6-5	HYDRAULIC DIAGRAM (OPTIONAL GENERATOR)	6-14
6-6	HYDRAULIC DIAGRAM LIST	6-16
SECTION 7 - ELECTRICAL		7-1
7-1	ELECTRICAL SCHEMATIC (WITHOUT GENERATOR PRIOR TO S/N 0200141689)	7-2
7-2	ELECTRICAL SCHEMATIC (WITHOUT GENERATOR S/N 0200141689 TO S/N 0200200647)	7-4
7-3	ELECTRICAL SCHEMATIC (WITHOUT GENERATOR S/N 0200200647 TO PRESENT)	7-8
7-4	ELECTRICAL SCHEMATIC (WITH GENERATOR PRIOR TO S/N 0200141689)	7-12
7-5	ELECTRICAL SCHEMATIC (WITH GENERATOR S/N 0200141689 TO S/N 0200200647)	7-14
7-6	ELECTRICAL SCHEMATIC (WITH GENERATOR S/N 0200200647 TO PRESENT)	7-18
7-7	ELECTRICAL COMPONENTS INSTALLATION (PRIOR TO S/N 0200141689)	7-22
7-8	ELECTRICAL COMPONENTS INSTALLATION (S/N 0200141689 TO PRESENT)	7-28
SECTION 8 - DECALS		8-1
8-1	DECAL INSTALLATION (ANSI SPEC)	8-2
8-2	DECAL INSTALLATION (ANSI EXPORT SPEC)	8-6
SECTION 9 - RECOMMENDED SERVICE PARTS STOCK		9-1
SECTION 10 - SPECIAL OPTIONS		10-1
SECTION 11 - PART NUMBER INDEX		11-1

SECTION 1

FRAME

SECTION 1 FRAME

FIGURE 1-1. FRAME AND STEERING INSTALLATION



SECTION 1 FRAME

FIGURE 1-1. FRAME AND STEERING INSTALLATION

ITEM #	PART NUMBER	QTY.	DESCRIPTION	REV.
	0259648	Ref.	STEERING & DRIVE INSTALLATION (4WD/2WS)	O
1	0100011	A/R	Compound, Locking	
2	Not Used			
3	See Note	1	Thrustwasher (Note: Was p/n 0440237 - Use Bearing/Shim Kit p/n 1001155260 as Replacement. Kit includes Thrustwashers, Kingpin Bolts, Shims & Kingpin Bushings. Machines S/N 0200220924 to Present are already equipped with kit components & do not require axle modification per the kit instruction.	
4	0641606	8	Bolt 3/8in-16NC x 3/4in	
5		1	Options:	
	0642024		Bolt 5/8in-11NC x 3in (Prior to S/N 0200076006)	
	3431024		Pin, Clevis (S/N 0200076006 to S/N 0200210747)	
	3431036		Pin, Clevis (S/N 0200210747 to Present)	
6	3431220	1	Pin, Flat Head Clevis	
7	0681810	24	Bolt 1/2in-13NC x 1-1/4in	
8	Not Used			
9	1683957	1	Steer Cylinder Assembly (See Section 5 for Breakdown)	
10		2	Motor/Brake/Hub Assembly (Rear) Options:	
	3160244		Prior to S/N 0200078291 (See Figure 1-2 for Breakdown)	
	3160254		S/N 0200078291 to S/N 0200104784 (See Figure 1-3 for Breakdown)	
	3160244		S/N 0200104784 to Present (See Figure 1-2 for Breakdown)	
11		2	Motor/Hub Assembly (Front) Options:	
	3160245		Prior to S/N 0200078291 (See Figure 1-4 for Breakdown)	
	3160255		S/N 0200078291 to S/N 0200112814 (See Figure 1-5 for Breakdown)	
	3160245		S/N 0200112814 to Present (See Figure 1-4 for Breakdown)	
12	3312005	2	Locknut 5/8in-11NC (Prior to S/N 0200076006)	
13	3450406	3	Pin, Cotter	
14	3322002	1	Nut, Jam (Right Hand Thread)	
15	3422803	4	Pin, King	
16	3841146	1	Rod, Tie Rod End	
17	3841468	1	Rod, Tie Rod	
18		1	Spindle (Right Side) Options:	
	Use 1001100031		Prior to S/N 0200202172 (was p/n 4130377)	
	1001100031		S/N 0200202172 to Present	
19	4891800	24	Flatwasher 1/2in Hardened	
20		1	Options:	
	0642028		Bolt 5/8in-11NC x 3-1/2in (Prior to S/N 0200076006)	
	3431032		Pin, Clevis (S/N 0200076006 to Present)	
21	3841469	1	Rod, Tie Rod End	
22	4752000	2	Flatwasher 5/8in Regular	
23	4712200	1	Flatwasher 3/4inThin	
24	3300409	1	Nut, Jam (Left Hand Thread)	
25	0641508	18	Bolt 5/16in-18NC x 1in (Prior to S/N 0200128810)	
26	2080053	16	Fastener 5/16in-18NC (Prior to S/N 0200128810)	
27	3311505	2	Locknut 5/16in-18NC (Prior to S/N 0200128810)	
28	3572324	2	Cover, Rear Axle (Prior to S/N 0200128810)	

SECTION 1 FRAME

FIGURE 1-1. FRAME AND STEERING INSTALLATION (CONTINUED)

ITEM #	PART NUMBER	QTY.	DESCRIPTION	REV.
29	3572325	1	Cover, Steer Cylinder (Prior to S/N 0200128810)	
30	3572326	1	Cover, Center Frame (Prior to S/N 0200128810)	
31	4711500	20	Flatwasher 5/16in Thin (Prior to S/N 0200128810)	
32		1	Spindle (Left Side) Options:	
	Use 1001100032		Prior to S/N 0200210747 (was p/n 4130380)	
	1001100032		S/N 0200210747 to Present	
33	4712000	2	Flatwasher 5/8in Thin	
	2902215	1	Kit - Cover Plates (Includes Items 28, 29 & 30)	
		Ref.	TIRE AND WHEEL INSTALLATIONS OPTIONS:	
	0259780	Ref.	(26 x 12.00) Pneumatic	B
	0259781	Ref.	(26 x 12.00) Foam Filled	B
	1001100370	Ref.	(26 x 12.00) Foam Filled Non-Marking	A
		A/R	Tire & Wheel Assembly Options:	
	0259975		26 x 12.00 Pneumatic (Right Side)	
	0259976		26 x 12.00 Pneumatic (Left Side)	
	0259977		26 x 12.00 Foam Filled (Right Side)	
	0259978		26 x 12.00 Foam Filled (Left Side)	
	1001100372		26 x 12.00 Foam Filled Non-Marking (Right Side)	
	1001100373		26 x 12.00 Foam Filled Non-Marking (Left Side)	
		Ref.	Note: Assemblies may require ballast/foam filling to manufacturer's specifications prior to installing on a machine. Refer to Operation & Safety or Service & Maintenance Manuals. Purchase individual tire and/or rim only if able to foam fill tire & wheel assembly, otherwise, purchase complete assembly.	
		Ref.	TIRE AND WHEEL ASSEMBLY COMPONENTS	E
101	1702738	A/R	Decal - 45 PSI (Pneumatic Only)	
102		4	Tire Option (26 x 12.00):	
	4520233		Standard	
	1001100371		Non Marking	
103	4640113	A/R	Valve, Air (Pneumatic Only)	
104	4860207	4	Rim	
		Ref.	FRAME WELDMENT OPTIONS:	
	Use 0272393	Ref.	Prior to S/N 0200105000 (was p/n 2360523 - Required bearings be purchased separately)	
	0272393	Ref.	S/N 0200105000 to Present (Includes Bearings)	
201	0440228	1	Bearing (Steer Lug Pivot)	
202	See Note	1	Bearing (Kingpin Pivot) (Note: Was p/n 0962220 - Use Bearing /Shim Kit p/n 1001155260 as Replacement. Kit includes Thrustwashers, Kingpin Bolts, Shims & Kingpin Bushings. Machines S/N 0200220924 to Present are already equipped with kit components & do not require axle modification per the kit instruction.	
203	0962234	4	Bearing (Scissors Arms Pivot)	

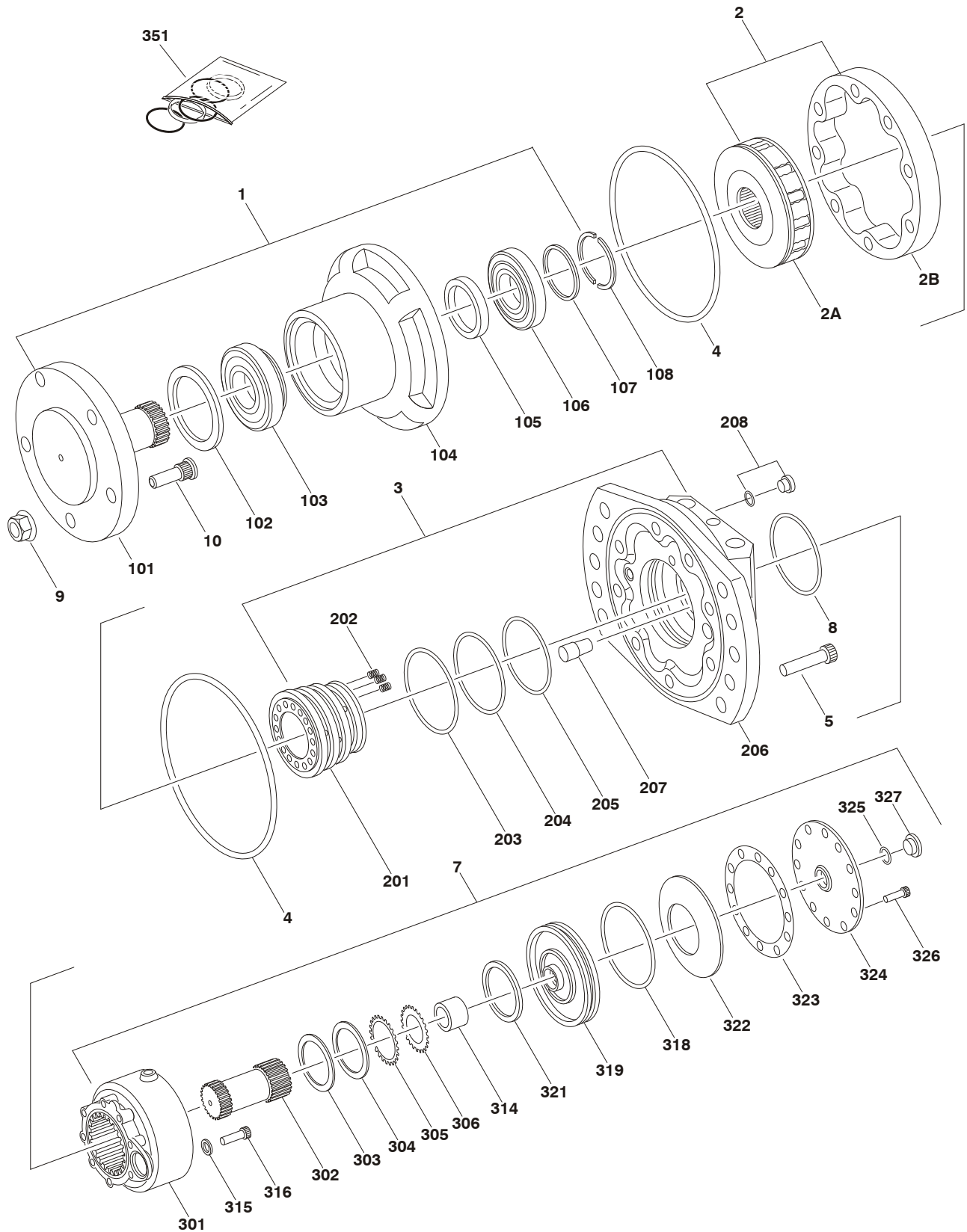
SECTION 1 FRAME

FIGURE 1-1. FRAME AND STEERING INSTALLATION (CONTINUED)

ITEM #	PART NUMBER	QTY.	DESCRIPTION	REV.
204	2360523	1	Frame Weldment	

SECTION 1 FRAME

FIGURE 1-2. MOTOR/BRAKE/HUB ASSEMBLY (REAR) (PRIOR TO S/N 0200078291 & S/N 0200104784 TO PRESENT)



SECTION 1 FRAME

FIGURE 1-2. MOTOR/BRAKE/HUB ASSEMBLY (REAR) (PRIOR TO S/N 0200078291 & S/N 0200104784 TO PRESENT)

ITEM #	PART NUMBER	QTY.	DESCRIPTION	REV.
	3160244	Ref.	DRIVE MOTOR ASSEMBLY	D
1	Not Available	1	Front Housing Assembly (See Items 101 to 108 for Breakdown)	
2	Not Available	1	Rotary Assembly	
2A	Not Available	1	Rotary without Cam	
2B	Not Available	1	Cam	
3	Not Available	1	Rear Housing Assembly (See Items 201 to 208 for Breakdown)	
4	Use Item 351	2	Seal, Square	
5	Not Available	6	Screw, Cap	
6	Not Used			
7	Not Available	1	Brake Assembly (See Items 301 to 327 for Breakdown)	
8	Use Item 351	1	Seal, Square	
9	7023806	5	Lugnut	
10	7023807	5	Stud, Wheel	
		Ref.	FRONT HOUSING ASSEMBLY	
101	7022586	1	Shaft	
102	Use Item 351	1	Seal, Face	
103	7022587	1	Bearing, Front	
104	Not Available	1	Casting, Front	
105	Use Item 351	1	Seal, Shaft	
106	7022588	1	Bearing, Rear	
107	Not Available	1	Washer	
108	7022589	1	Ring, Split	
		Ref.	REAR HOUSING ASSEMBLY	
201	Not Available	1	Ring, Distributor	
202	Not Available	9	Spring	
203	Use Item 351	1	Seal, Nylon	
204	Use Item 351	1	Seal, Nylon	
205	Use Item 351	1	Seal, Nylon	
206	Not Available	1	Housing, Rear	
207	7022590	1	Pin, Stop	
208	7022591	1	Plug (O-Ring Supplied with Plug)	
		Ref.	BRAKE ASSEMBLY	
301	Not Available	1	Housing, Brake	
302	7022592	1	Shaft	
303	7022593	1	Shim	
304	7022594	1	Shim	
305	7022595	15	Disc, Outer Brake	
306	7022596	13	Disc, Inner Brake	
307 to 313	Not Used			
314	7022597	1	Bushing	
315	Not Available	8	Washer	
316	Not Available	8	Screw, Cap	
317	Not Used			
318	Use Item 351	1	Ring, Square	

SECTION 1 FRAME

FIGURE 1-2. MOTOR/BRAKE/HUB ASSEMBLY (REAR) (PRIOR TO S/N 0200078291 & S/N 0200104784 TO PRESENT) (CONTINUED)

ITEM #	PART NUMBER	QTY.	DESCRIPTION	REV.
319	7022598	1	Piston, Brake	
320	Not Used			
321	Use Item 351	1	Seal, Outer	
322	7022599	1	Washer, Bellville	
323	Use Item 351	1	Gasket	
324	Not Available	1	Cover, End	
325	Use Item 351	1	O-Ring	
326	Not Available	12	Screw, Cap	
327	7023800	1	Plug	

351	7022585		Seal Kit - (Includes Items 4,8,102,105,203-205,318,321,323 & 325)	

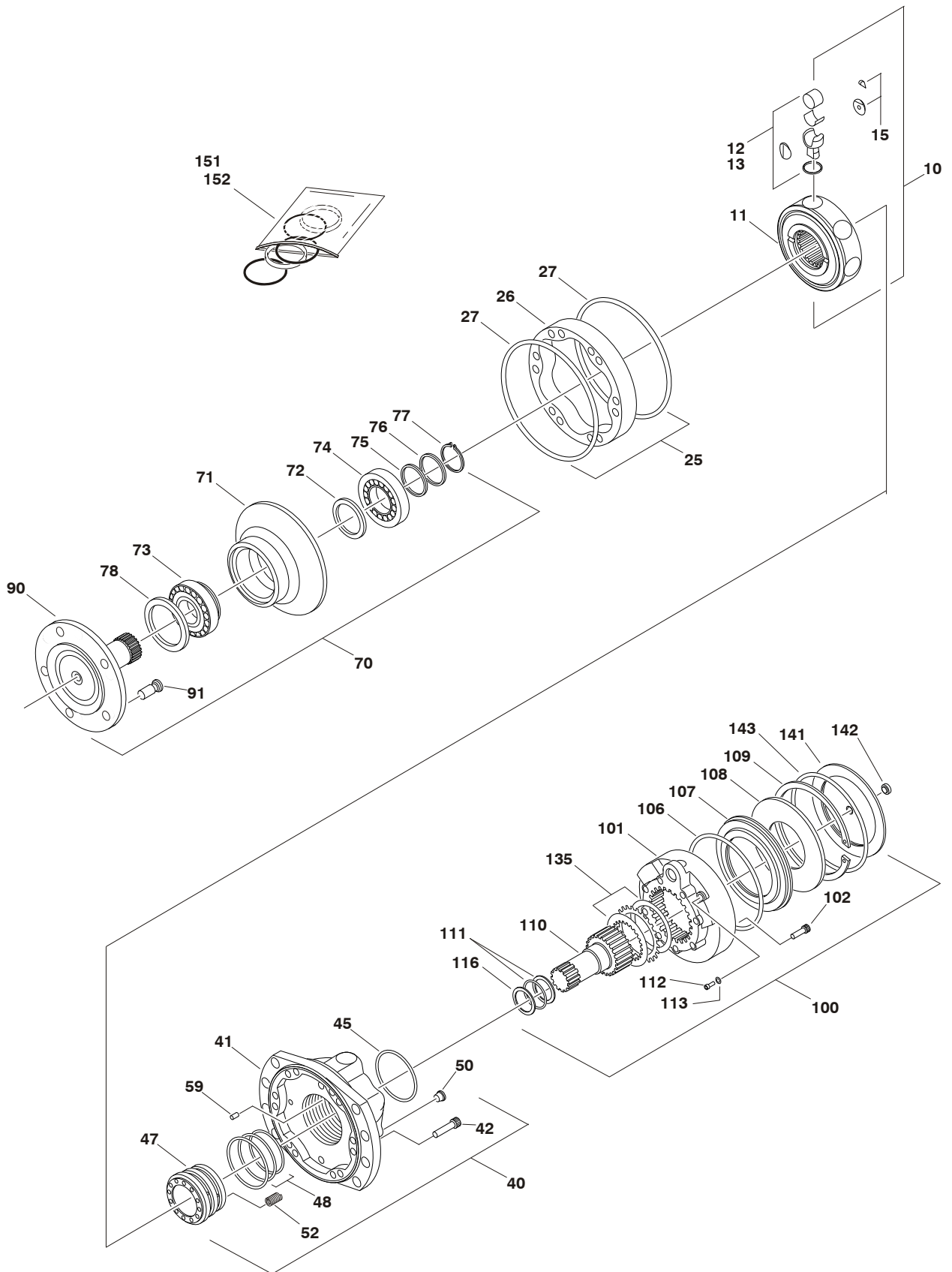
SECTION 1 FRAME

FIGURE 1-2. MOTOR/BRAKE/HUB ASSEMBLY (REAR) (PRIOR TO S/N 0200078291 & S/N 0200104784 TO PRESENT) (CONTINUED)

ITEM #	PART NUMBER	QTY.	DESCRIPTION	REV.

SECTION 1 FRAME

FIGURE 1-3. MOTOR/BRAKE/HUB ASSEMBLY (REAR) (S/N 0200078291 TO S/N 0200104784 ONLY)



SECTION 1 FRAME

FIGURE 1-3. MOTOR/BRAKE/HUB ASSEMBLY (REAR) (S/N 0200078291 TO S/N 0200104784 ONLY)

ITEM #	PART NUMBER	QTY.	DESCRIPTION	REV.
	3160254	Ref.	DRIVE MOTOR ASSEMBLY	C
1 to 9	Not Used			
10	7023279	1	Cylinder Block Assembly	
11	Not Serviced	1	Block, Cylinder	
12	7023276	1	Piston	
13 to 14	Not Used			
15	7023278	1	Guide & Keeper Kit	
16 to 24	Not Used			
25	7023280	1	Cam Assembly	
26	Not Serviced	1	Cam	
27	7027888	2	O-Ring	
28 to 39	Not Used			
40	7023281	1	Valving Cover Assembly	
41	Not Serviced	1	Cover, Valving	
42	7023282	6	Bolt	
43 to 44	Not Used			
45	Use Item 152	1	O-Ring	
46	Not Used			
47	7023283	1	Distributor	
48	Use Item 152	1	Seal Kit	
49	Not Used			
50	7023284	1	Plug	
51	Not Used			
52	7018411	4	Spring	
53 to 58	Not Used			
59	7023286	1	Pin, Split	
60 to 69	Not Used			
70	7023287	1	Support Assembly	
71	Not Serviced	1	Support, Bearing	
72	Use Item 152	1	Seal	
73	7023288	1	Bearing	
74	7023289	1	Bearing	
75	7023302	1	Shim Set	
76	7023290	1	Ring	
77	7023291	1	Ring, Snap	
78	Use Item 152	1	Seal	
79 to 89	Not Used			
90	7023292	1	Shaft	
91	7023303	1	Stud Set	
92	7018436	1	Lugnut Set (Not Shown)	
93 to 99	Not Used			
100	7023293	1	Disc Brake Assembly	
101	Not Serviced	1	Body, Brake	
102	7023294	8	Bolt	
103 to 105	Not Used			
106	Use Item 152	1	O-Ring	
107	7023295	1	Piston, Brake	

SECTION 1 FRAME

FIGURE 1-3. MOTOR/BRAKE/HUB ASSEMBLY (REAR) (S/N 0200078291 TO S/N 0200104784 ONLY) (CONTINUED)

ITEM #	PART NUMBER	QTY.	DESCRIPTION	REV.
108	7023296	1	Washer, Spring	
109	7023297	1	Ring, Snap	
110	7023298	1	Shaft	
111	Use Item 152	1	Seal	
112	7018408	1	Bolt	
113	Use Item 152	1	Gasket	
114 to 115	Not Used			
116	7023305	1	Shim	
117 to 134	Not Used			
135	7023304	1	Brake Disc Kit (Includes Shim Kit)	
	7026191	1	Brake Shim Kit	
136 to 140	Not Used			
141	Use Item 152	1	Protector	
142	Use Item 152	1	Plug, Dust	
143	Use Item 152	1	O-Ring	
144 to 151	Not Used			
152	7023301	1	Seal Kit - (Includes Items - 27,45,48,72,78,106,111,113,141,142 & 143)	

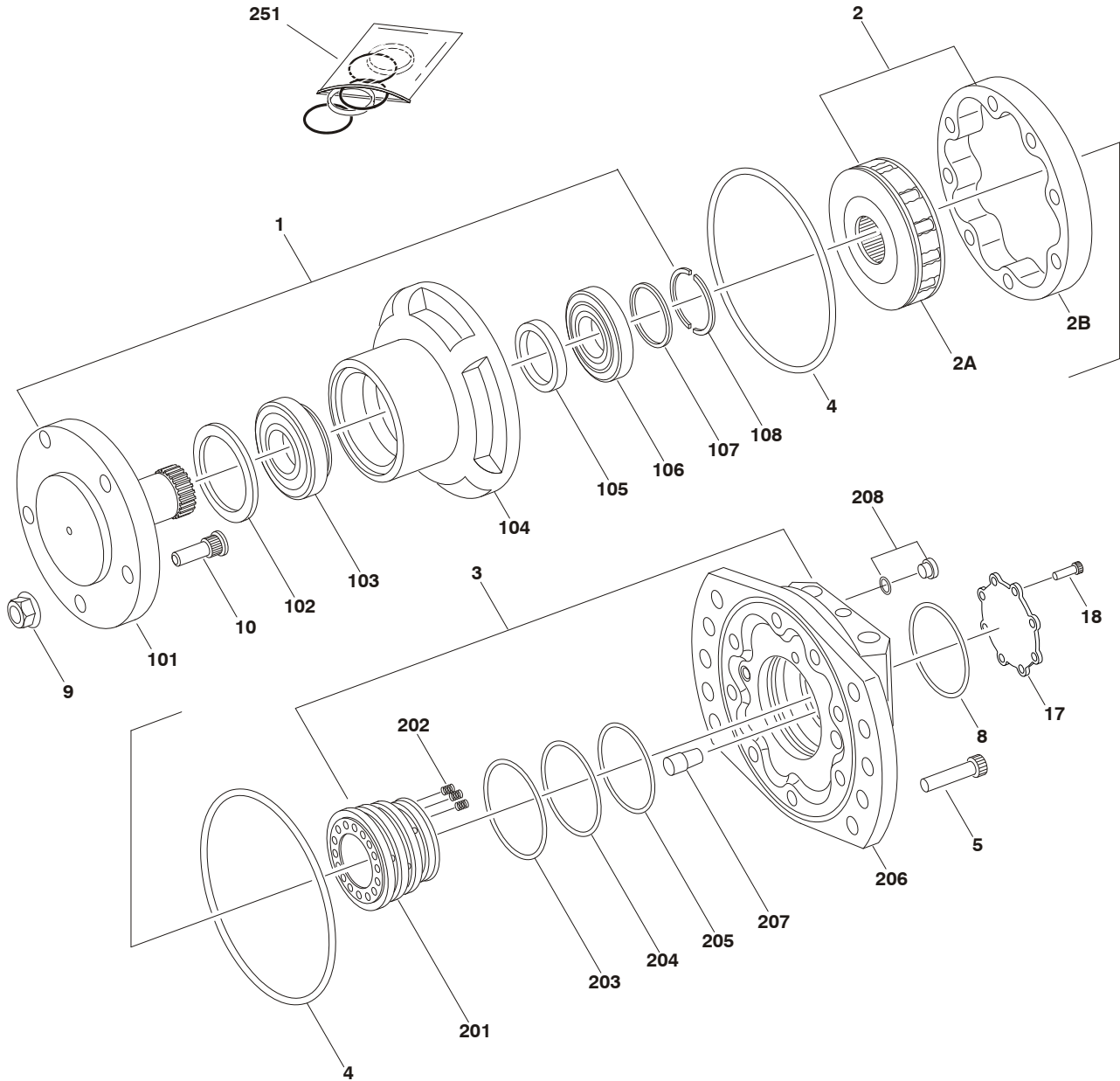
SECTION 1 FRAME

FIGURE 1-3. MOTOR/BRAKE/HUB ASSEMBLY (REAR) (S/N 0200078291 TO S/N 0200104784 ONLY) (CONTINUED)

ITEM #	PART NUMBER	QTY.	DESCRIPTION	REV.

SECTION 1 FRAME

FIGURE 1-4. MOTOR/HUB ASSEMBLY (FRONT) (PRIOR TO S/N 0200078291 & S/N 0200112814 TO PRESENT)



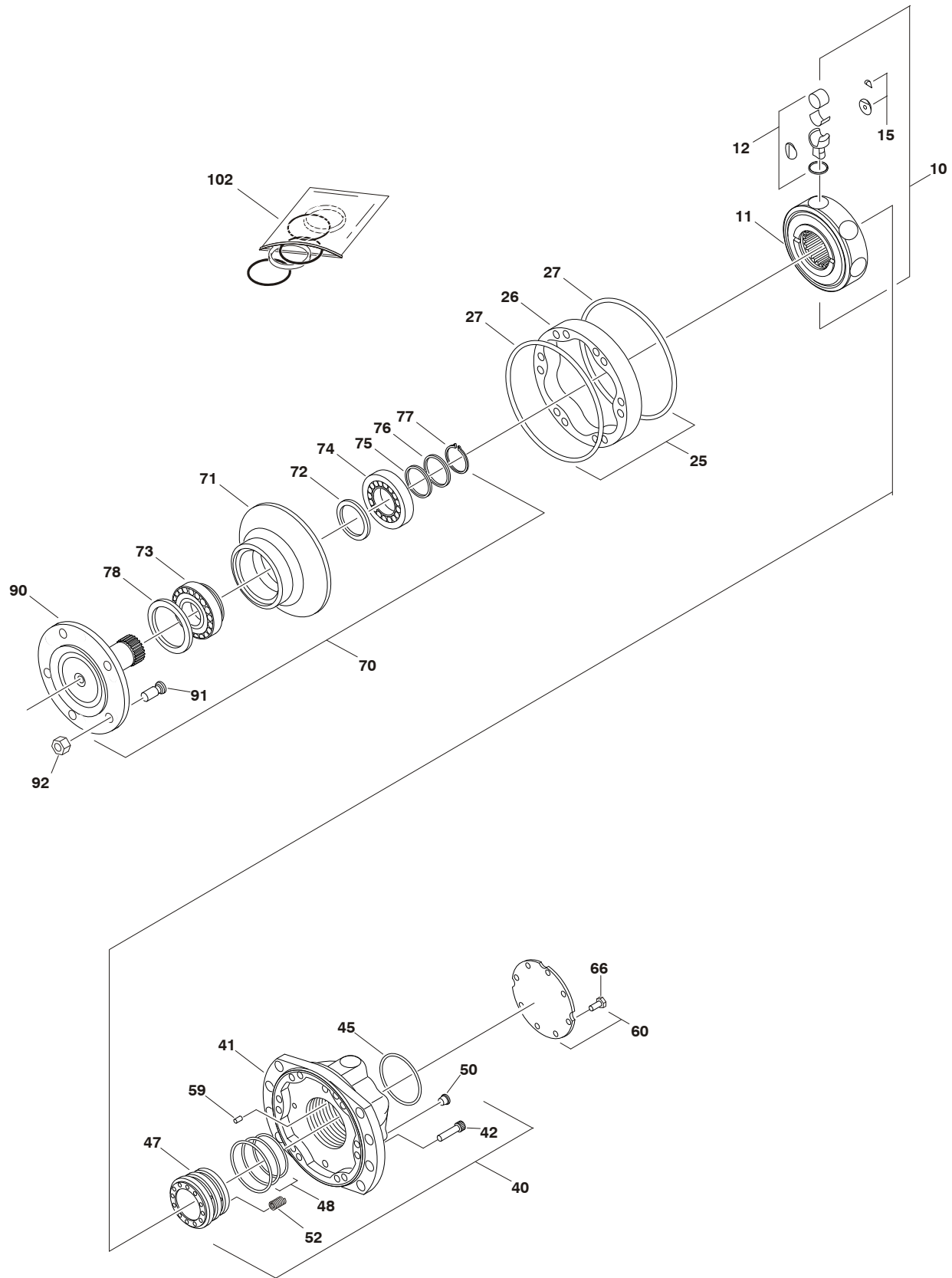
SECTION 1 FRAME

FIGURE 1-4. MOTOR/HUB ASSEMBLY (FRONT) (PRIOR TO S/N 0200078291 & S/N 0200112814 TO PRESENT)

ITEM #	PART NUMBER	QTY.	DESCRIPTION	REV.
	3160245	Ref.	DRIVE MOTOR ASSEMBLY	D
1	Not Available	1	Front Housing Assembly (See 101 to 108 for Breakdown)	
2	Not Available	1	Rotary Assembly	
2A	Not Available	1	Rotary without Cam	
2B	Not Available	1	Cam	
3	Not Available	1	Rear Housing Assembly (See 201 to 208 for Breakdown)	
4	Use Item 251	2	Seal, Square	
5	Not Available	6	Screw, Cap	
6 to 8	Not Used			
9	7023806	5	Lugnut	
10	7023807	5	Stud, Wheel	
11 to 15	Not Used			
16	7024008	1	Seal, Square	
17	7024007	1	Plate, Rear Cover	
18	Not Available	8	Screw, Cap	
		Ref.	FRONT HOUSING ASSEMBLY	
101	7022586	1	Shaft	
102	Use Item 251	1	Seal, Face	
103	7022587	1	Bearing, Front	
104	Not Available	1	Casting, Front	
105	Use Item 251	1	Seal, Shaft	
106	7022588	1	Bearing, Rear	
107	Not Available	1	Washer	
108	Not Available	1	Ring, Split	
		Ref.	REAR HOUSING ASSEMBLY	
201	Not Available	1	Ring, Distributor	
202	Not Available	9	Spring	
203	Use Item 251	1	Seal, Nylon	
204	Use Item 251	1	Seal, Nylon	
205	Use Item 251	1	Seal, Nylon	
206	Not Available	1	Housing, Rear	
207	7022590	1	Pin, Stop	
208	7022591	1	Plug (O-Ring Supplied with Plug)	
251	7023801	1	Seal Kit (Includes Items - 4,102,105,203-205)	

SECTION 1 FRAME

FIGURE 1-5. MOTOR/HUB ASSEMBLY (FRONT) (S/N 0200078291 TO S/N 0200112814 ONLY)



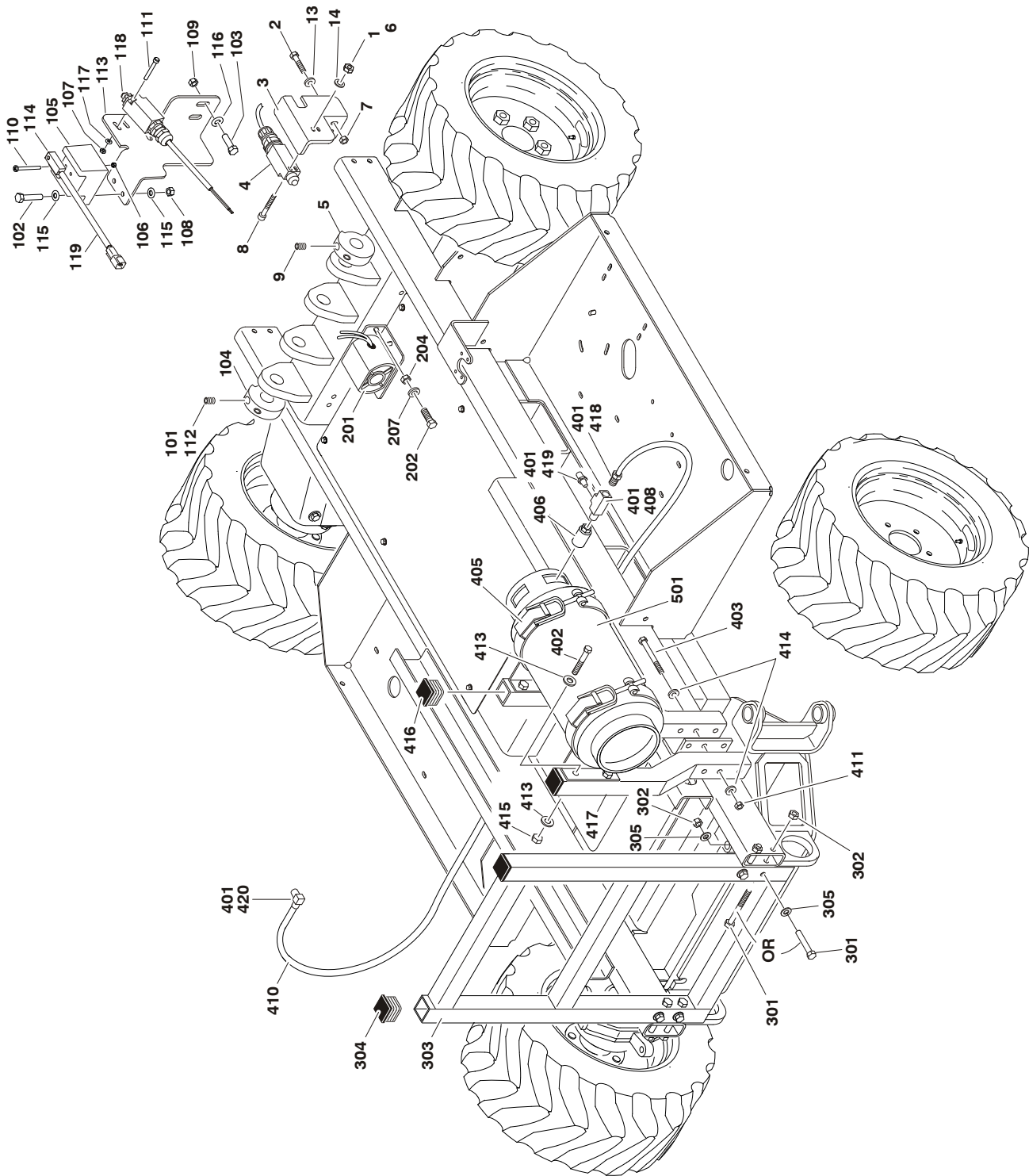
SECTION 1 FRAME

FIGURE 1-5. MOTOR/HUB ASSEMBLY (FRONT) (S/N 0200078291 TO S/N 0200112814 ONLY)

ITEM #	PART NUMBER	QTY.	DESCRIPTION	REV.
	3160255	Ref.	DRIVE MOTOR ASSEMBLY	B
1 to 9	Not Used			
10	7023279	1	Cylinder Block Assembly	
11	Not Serviced	1	Block, Cylinder	
12	7023276	1	Piston	
13 to 14	Not Used			
15	7023278	1	Guide & Keeper Kit	
16 to 24	Not Used			
25	7023280	1	Cam Assembly	
26	Not Serviced	1	Cam	
27	7027888	2	O-Ring	
28 to 39	Not Used			
40	7023281	1	Valving Cover Assembly	
41	Not Serviced	1	Cover, Valving	
42	7023282	6	Bolt	
43 to 44	Not Used			
45	Use Item 102	1	O-Ring	
46	Not Used			
47	7023283	1	Distributor	
48	Use Item 102	1	Seal Kit	
49	Not Used			
50	7023284	1	Plug	
51	Not Used			
52	7018411	4	Spring	
53 to 58	Not Used			
59	7023286	1	Pin, Split	
60	7023285	1	Back Plate Assembly	
61 to 65	Not Used			
66	7018435	8	Bolt	
67 to 69	Not Used			
70	7023287	1	Support Assembly	
71	Not Serviced	1	Support, Bearing	
72	Use Item 102	1	Seal	
73	7023288	1	Bearing	
74	7023289	1	Bearing	
75	7023302	1	Shim Set	
76	7023290	1	Ring	
77	7023291	1	Ring, Snap	
78	Use Item 102	1	Seal	
79 to 89	Not Used			
90	7023292	1	Shaft	
91	7023303	1	Stud Set	
92	7018436	1	Lugnut Set	
93 to 101	Not Used			
102	7023301	1	Seal Kit - (Includes Items - 27,45,48,72 & 78)	

SECTION 1 FRAME

FIGURE 1-6. FRAME MOUNTED COMPONENTS INSTALLATION



SECTION 1 FRAME

FIGURE 1-6. FRAME MOUNTED COMPONENTS INSTALLATION

ITEM #	PART NUMBER	QTY.	DESCRIPTION	REV.
	0259805	Ref.	ELEVATION SWITCH INSTALLATION	E
1	0100011	A/R	Compound, Locking	
2	0641610	2	Bolt 3/8in-16NC x 1-1/4in	
3	0902609	1	Bracket, Limit Switch Mounting	
4	4922630	1	Harness, Elevation (See Section 7 for Breakdown)	
5	1100110	1	Cam, High Drive Limit Switch	
6	3310801	2	Nut #8-32NC	
7	3311605	2	Locknut 3/8in-16NC	
8	3930820	2	Screw, Machine #8-32NC x 1-1/4in	
9	3951603	2	Setscrew 3/8in x 3/8in	
10 to 12	Not Used			
13	4711600	2	Flatwasher 3/8in Thin	
14	4750800	2	Flatwasher #8 Regular	
	0274337	Ref.	ELEVATION SWITCH INSTALLATION (AUTO LEVEL LEVELING JACKS) (S/N 0200141689 TO PRESENT)	A
101	0100011	A/R	Compound, Locking	
102	0641512	2	Bolt 5/16in-18NC x 1-1/2in	
103	0641610	2	Bolt 3/8in-16NC x 1-1/4in	
104	1100110	1	Cam, High Drive Limit Switch	
105	3200453	1	Mount, Proximity Switch	
106	3300474	2	Locknut	
107	3310801	2	Nut #8-32NC	
108	3311505	2	Locknut 5/16in-18NC	
109	3311605	2	Locknut 3/8in-16NC	
110	3930334	2	Screw, Panhead	
111	3930820	2	Screw, Machine #8-32NC x 1-1/4in	
112	3951603	2	Setscrew 3/8in x 3/8in	
113	4341007	1	Mounting, Elevation Switch	
114	4360502	1	Switch, Proximity Sensor	
115	4711500	4	Flatwasher 5/16in Thin	
116	4711600	2	Flatwasher 3/8in Thin	
117	4750800	2	Flatwasher #8 Regular	
118	4922630	1	Cable, 18/2 & Limit Switch	
	1060680	9ft/2.7m	Cable, 18/2	
	4360548	1	Switch, Limit	
	4460968	1	Connector, Strain Relief	
	4460465	2	Socket, Female	
119	4923137	1	Harness, Proximity Switch (See Section 7 for Breakdown)	

SECTION 1 FRAME

FIGURE 1-6. FRAME MOUNTED COMPONENTS INSTALLATION (CONTINUED)

ITEM #	PART NUMBER	QTY.	DESCRIPTION	REV.
		Ref.	ALARM INSTALLATIONS	
	0259816	Ref.	Descent Alarm Installation	C
	0259817	Ref.	Motion Alarm Installation	C
	0273136	Ref.	Alarm Installation (S/N 0200112688 to Present)	A
201		1	Alarm Options: Prior to S/N 0200112688 S/N 0200112688 to Present	
	0140032			
	0140044			
202	0641508	2	Bolt 5/16in-18NC x 1in (Prior to S/N 0200112688)	
	0641408	2	Bolt 1/4in-20NC x 1in (S/N 0200112688 to Present)	
203	Not Used			
204	3311505	2	Locknut 5/16in-18NC (Prior to S/N 0200112688)	
	3311405	2	Locknut 1/4in-20NC (S/N 0200112688 to Present)	
205 to 206	Not Used			
207	4711500	4	Flatwasher 5/16in Thin (Prior to S/N 0200112688)	
	4751400	4	Flatwasher 1/4in Regular (S/N 0200112688 to Present)	
	0259654	Ref.	LADDER INSTALLATION	D
301		4	Bolt Options: Bolt 1/2in-13NC x 4-3/4in (Prior to S/N 0200192485) Bolt 1/2in-13NC x 3in (S/N 0200192485 to Present)	
	0641838			
	0641824			
302	3311805	4	Locknut 1/2in-13NC	
303	4846116	1	Weldment, Ladder	
304		2	Plug, Cap Options: Prior to S/N 0200192485 S/N 0200192485 to Present	
	3520071			
	1001109533			
305	4711800	4	Flatwasher 1/2in Thin (S/N 0200076557 to Present)	
	0259811	Ref.	LP TANKS AND BRACKETS INSTALLATIONS	H
401	0100020	A/R	Sealant	
402	0641622	4	Bolt 3/8in-16NC x 2-3/4in	
403	0641844	A/R	Bolt 1/2in-13NC x 5-1/2in	
404	Not Used			
405	1320220	1	Clamp	
406	2180387	1	Fitting, LP	
407	Not Used			
408	2180389	1	Fitting, Relief Valve-LP	
409	Not Used			
410	2720464	1	Hose, LP	
411	3311805	A/R	Locknut 1/2in-13NC	
412	2540023	1	Grommet, 1in (Not Shown)	
413	4751600	4	Flatwasher 3/8in Regular	
414	4751800	A/R	Flatwasher 1/2in Regular	
415	3311605	4	Locknut 3/8in-16NC	
416		2	Plug, Cap Options: Prior to S/N 0200192485 S/N 0200192485 to Present	
	3520071			
	1001109533			

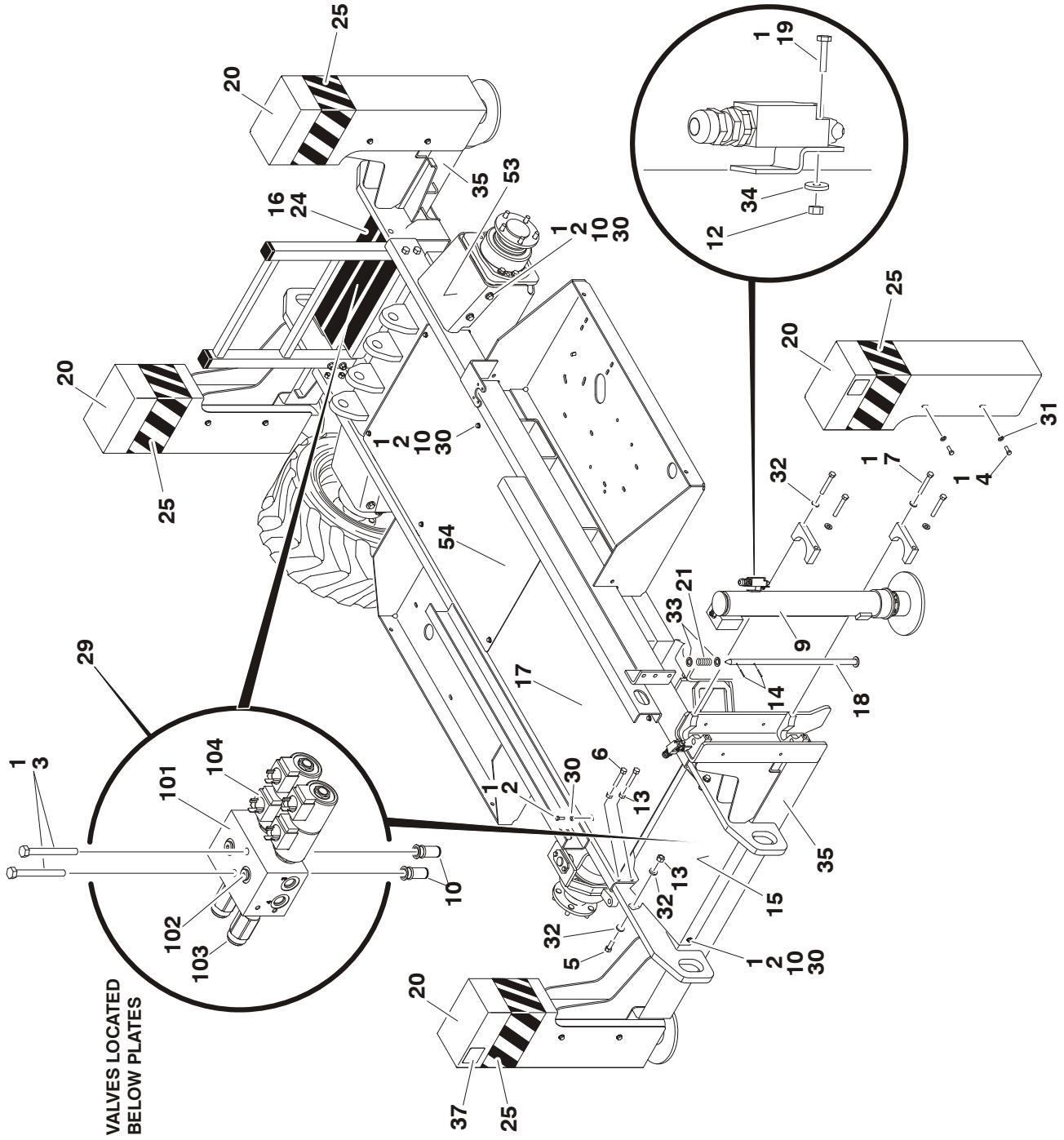
SECTION 1 FRAME

FIGURE 1-6. FRAME MOUNTED COMPONENTS INSTALLATION (CONTINUED)

ITEM #	PART NUMBER	QTY.	DESCRIPTION	REV.
417	4568094	2	Tube, LP Tank Mount	
418	2220399	2	Fitting	
419	2220290	1	Fitting, Tee	
420	2220773	1	Fitting 90°	
		Ref.	LP TANKS	
501	4400421	1	Bottle (Steel)	
	4400281	1	Bottle (Aluminum)	

SECTION 1 FRAME

FIGURE 1-7. LEVELING JACKS INSTALLATION (PRIOR TO S/N 0200141689)



SECTION 1 FRAME

FIGURE 1-7. LEVELING JACKS INSTALLATION (PRIOR TO S/N 0200141689)

ITEM #	PART NUMBER	QTY.	DESCRIPTION	REV.
	0259757	Ref.	LEVELING JACKS INSTALLATION	I
1	0100011	A/R	Compound, Locking	
2	0641508	20	Bolt 5/16in-18NC x 1in	
3	0641528	4	Bolt 5/16in-18NC x 3-1/2in	
4	0641608	16	Bolt 3/8in-16NC x 1in	
5	0641816	2	Bolt 1/2in-13NC x 2in	
6	0641820	8	Bolt 1/2in-13NC x 2-1/2in	
7	0641828	16	Bolt 1/2in-13NC x 3-1/2in	
8	Not Used			
9		1	Jack Cylinder Assembly Options: (See Section 5 for Breakdown) Prior to S/N 0200105371 (was p/n 1683966) S/N 0200105371 to S/N 0200141689	
	Use 1684217			
	1684217		S/N 0200105371 to S/N 0200141689	
10	2080053	16	Fastener 5/16in-18NC	
11	Not Used			
12	3310801	16	Nut #8-32NC	
13	3311805	10	Locknut 1/2in-13NC	
14	3440420	8	Pin, Roll 1/8in x 1-1/4in	
15	3572384	1	Plate, Front Cover	
16	3572385	1	Plate, Rear Cover	
17	3572388	1	Plate, Top Cover	
18	3841326	4	Rod	
19	3930820	16	Bolt #8-32NC x 1-1/4in	
20	4061003	4	Cover	
21	4160116	4	Spring	
22	Not Used			
23	4420037	24in/61cm	Tape, Insulation (Not Shown)	
24	4420039	6ft/1.8m	Tape, Non-Skid	
25	Use4420051	10ft/3m	Tape, Safety (was p/n 4420052)	
26 to 28	Not Used			
29	4641150	2	Leveling Jack Control Valve Assembly (See 101 to 104 for Breakdown)	
30	4711500	20	Flatwasher 5/16in Thin	
31	4711600	16	Flatwasher 3/8in Thin	
32	4711800	20	Flatwasher 1/2in Thin	
33	4740415	4	Washer, Special	
34	4750800	16	Flatwasher #8 Regular	
35	4846146	2	Weldment, Leveling Jack	
36	0270543	1	Indicator, Level (Not Shown - Located at Platform)	
37	1704786	4	Decal - Max Load	
38	4922454	2	Harness - Leveling Jack (N.O.) (Not Shown - See Section 7 for Breakdown)	
39	4922455	2	Harness - Leveling Jack (N.C.) (Not Shown - See Section 7 for Breakdown)	
40	4922456	1	Harness - Leveling Jack (Not Shown - See Section 7 for Breakdown)	
41 to 52	Not Used			
53	3572324	2	Cover, Rear Axle (S/N 0200128810 to S/N 0200141689)	
54	3572326	1	Cover, Center Frame (S/N 0200128810 to S/N 0200141689)	

SECTION 1 FRAME

FIGURE 1-7. LEVELING JACKS INSTALLATION (PRIOR TO S/N 0200141689) (CONTINUED)

ITEM #	PART NUMBER	QTY.	DESCRIPTION	REV.
	2902206	2	Kit - Leveling Jack Sub Assembly (Includes Items - 1,3,4,7,9,10,14 thru 21,24,29,31 thru 35,38,39 and Hydraulic Fittings & Hoses)	
	4641150	Ref.	LEVELING JACK CONTROL VALVE ASSEMBLY	B
101	0561407	1	Valve, Jack Control	
102	2220883	2	Plug	
	7024822	2	Orifice	
103	4641151	2	Cartridge, Relief Valve	
	7021653		Seal Kit - 4641151 Valve (1 Per Cartridge)	
104	4641152	2	Valve, 4-Way	
	7017454		Cartridge without Coil	
	7012903	2	Seal Kit - 4641152 Valve (1 Per Cartridge)	
	7012943	4	Coil (2 Per Cartridge)	

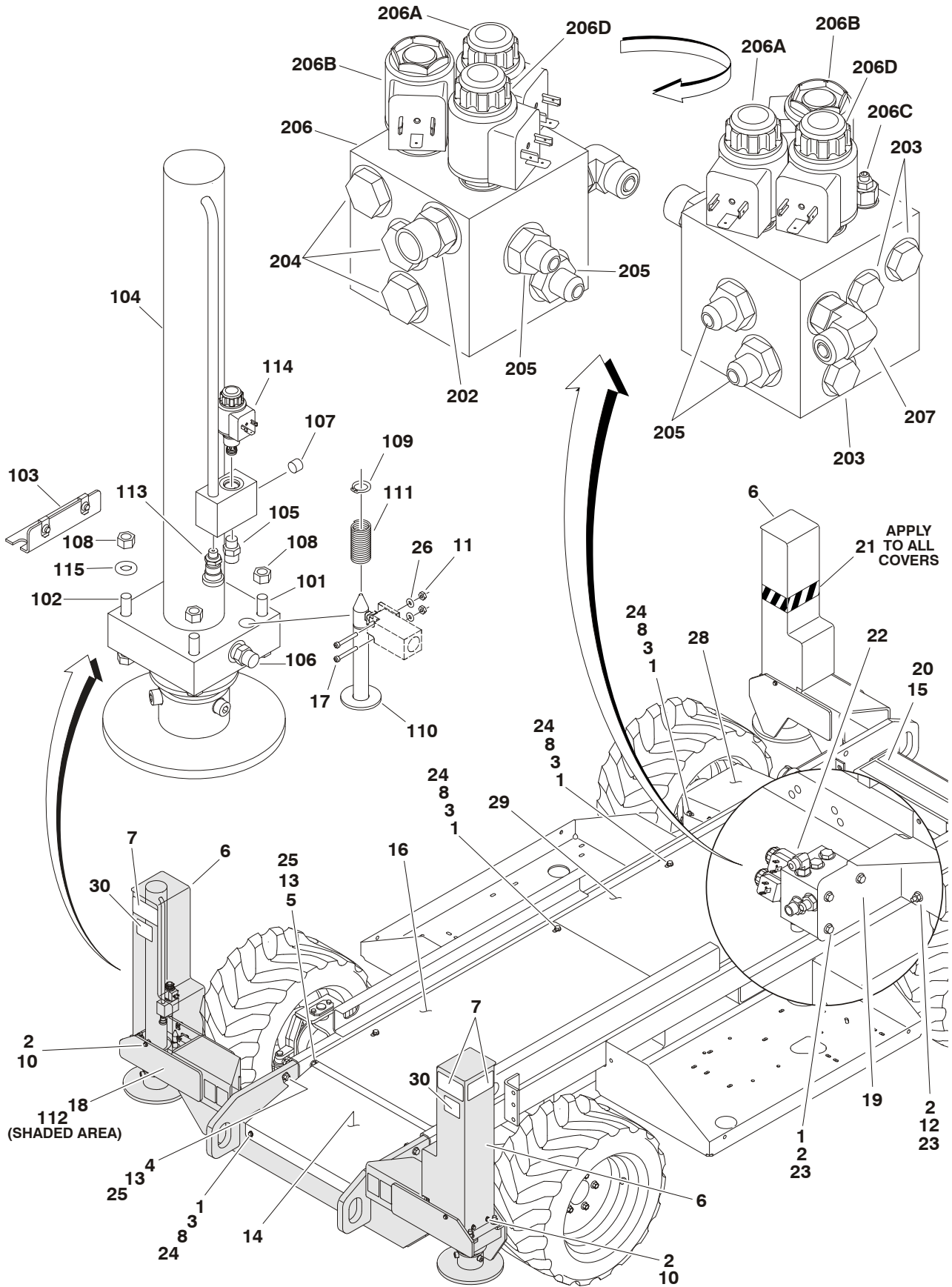
SECTION 1 FRAME

FIGURE 1-7. LEVELING JACKS INSTALLATION (PRIOR TO S/N 0200141689) (CONTINUED)

ITEM #	PART NUMBER	QTY.	DESCRIPTION	REV.

SECTION 1 FRAME

FIGURE 1-8. LEVELING JACKS AUTO LEVEL INSTALLATION (S/N 0200141689 TO PRESENT)



SECTION 1 FRAME

FIGURE 1-8. LEVELING JACKS AUTO LEVEL INSTALLATION (S/N 0200141689 TO PRESENT)

ITEM #	PART NUMBER	QTY.	DESCRIPTION	REV.
	0273848	Ref.	LEVELING JACKS INSTALLATION	G
1	0100011	A/R	Compound, Locking	
2	0641407	A/R	Bolt 1/4in-20NC x 7/8in	
3	0641508	20	Bolt 5/16in-18NC x 1in	
4	0641816	2	Bolt 1/2in-13NC x 2in	
5	0641824	8	Bolt 1/2in-13NC x 3in	
6	1671195	4	Cover	
7	1701214	8	Decal - Legend	
8	2080053	20	Fastener 5/16in-18NC	
9	Not Used			
10	3300454	16	Nut 1/4in-20NC	
11	3310805	8	Locknut #8-32NC	
12		3	Locknut Options: Prior to S/N 0200155061 S/N 0200155061 to Present	
13	3311405			
	3311605			
13	3311805	10	Locknut 1/2in-13NC	
14	3572384	1	Plate, Front Cover	
15	3572385	1	Plate, Rear Cover	
16	3572388	1	Plate, Top Cover	
17	3930820	8	Bolt #8-32NC x 1-1/4in	
18	4210017	2	Leveling Jack Assembly (See 101 to 115 for Breakdown)	
19	4340886	1	Mount, Valve	
20	4420039	6ft/1.8m	Tape, Non-Skid	
21		8ft/2.4m	Tape, Safety Options: Prior to S/N 0200149768 (was p/n 4420052) S/N 0200149768 to Present	
	Use 4420051			
	4420051			
22	4641374	1	Leveling Jack Control Valve Assembly (See 201 to 207 for Breakdown)	
23	4711400	A/R	Flatwasher 1/4in Thin	
24	4711500	20	Flatwasher 5/16in Thin	
25	4711800	20	Flatwasher 1/2in Thin	
26	4750800	8	Flatwasher #8 Regular	
27	4922748	1	Harness - Leveling Jack (Not Shown - See Section 7 for Breakdown)	
28	3572324	2	Cover, Rear Axle	
29	3572326	1	Cover, Center Frame	
30	1704786	4	Decal - Max Load	
31	0641608	3	Bolt 3/8in-16NC x 1in (S/N 0200155061 to Present)	
32	4751600	6	Flatwasher 3/8in Regular (S/N 0200155061 to Present)	
	4210017	Ref.	LEVELING JACK ASSEMBLY	A
101	0641824	4	Bolt 1/2in-13NC x 3in	
102	0641828	4	Bolt 1/2in-13NC x 3-1/2in	
103	0903165	2	Bracket, Jack Cover	
104	1684220	2	Cylinder, Jack (See Section 5 for Breakdown)	
105	2110606	2	Fitting	

SECTION 1 FRAME

**FIGURE 1-8. LEVELING JACKS AUTO LEVEL INSTALLATION (S/N 0200141689 TO PRESENT)
(CONTINUED)**

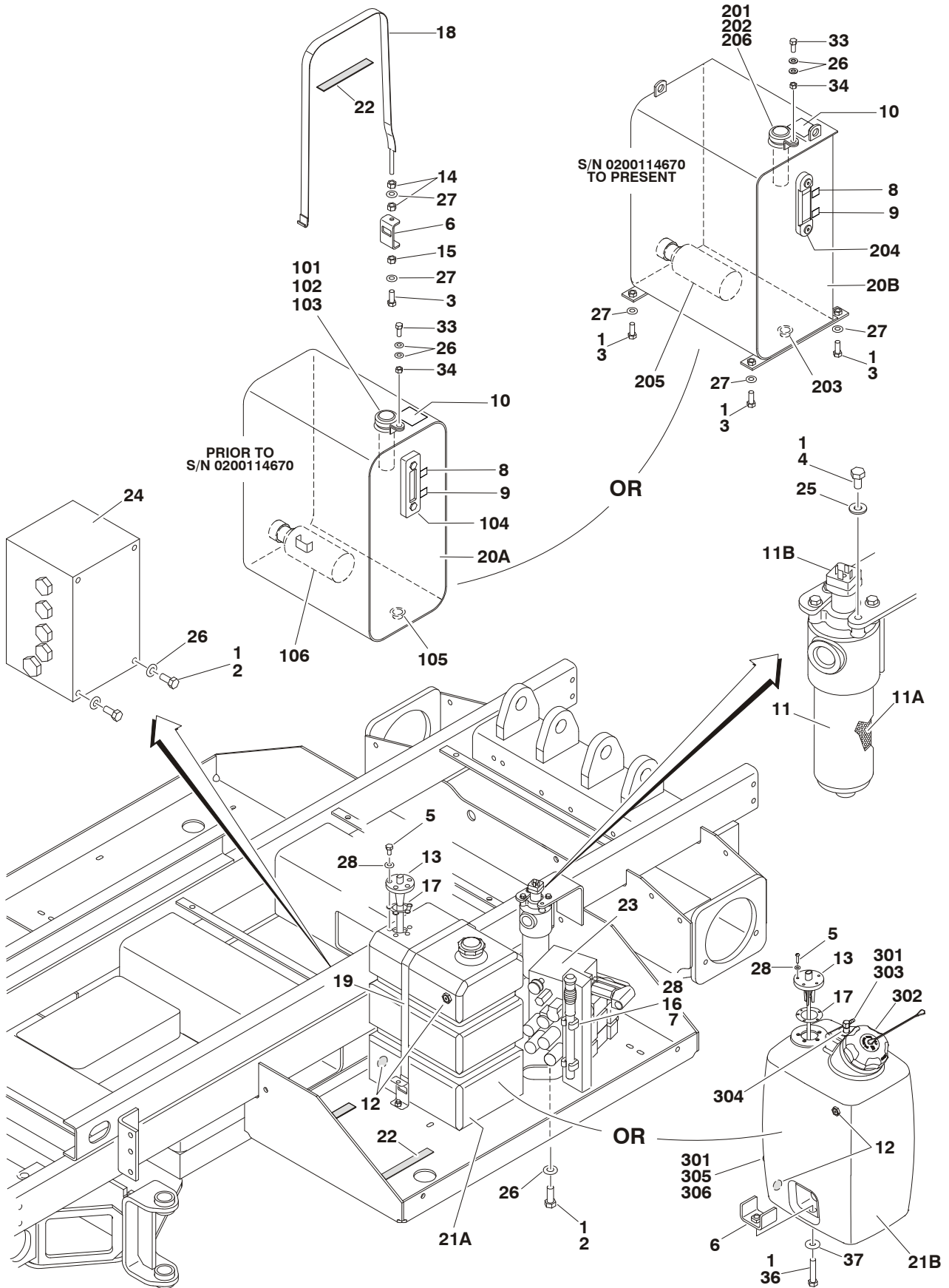
ITEM #	PART NUMBER	QTY.	DESCRIPTION	REV.
106	2110808	2	Fitting	
107	2220883	2	Fitting, Plug	
108	3311805	8	Locknut 1/2in-13NC	
109	3760348	2	Ring, Retaining	
110	3841564	2	Rod	
111	4160116	2	Spring	
112	4340885	1	Weldment, Leveling Jack	
113	4360518	2	Switch, Pressure Transducer	
114	4641238	2	Valve, Solenoid Directional	
	7024497	1	Cartridge (1 Per Cartridge)	
	7024501	1	Coil (1 Per Cartridge)	
	7024502	1	Seal Kit - 4641238 Valve (1 Per Cartridge)	
	7024506	1	Coil Nut, Kit - 4641238 Valve (1 Per Cartridge)	
115	4711800	4	Flatwasher 1/2in Thin	
	4641374	Ref.	LEVELING JACK CONTROL VALVE ASSEMBLY	B
201	2110608	1	Fitting (Prior to S/N 0200155061 Only)	
202	2110808	1	Fitting	
203	2220237	3	Fitting, Plug	
204	2220238	3	Fitting, Plug	
205	2220372	A/R	Fitting	
206	4641240	1	Valve, Directional	
206A	7024497	1	Cartridge	
	7024501	1	Coil	
	7024506	1	Kit Nut	
	7024502	1	Seal Kit - 7024497 Cartridge	
206B	7024498	1	Cartridge	
	7024501	1	Coil	
	7024507	1	Kit Nut	
	7024503	1	Seal Kit - 7024498 Cartridge	
206C	7024499	1	Cartridge	
	7024504	1	Seal Kit - 7024499 Cartridge	
206D	7024500	1	Cartridge	
	7024501	1	Coil	
	7024506	1	Kit Nut	
	7024505	1	Seal Kit - 7024500 Cartridge	
207	2130606	1	Fitting, 90°	

SECTION 2

GROUND CONTROLS

SECTION 2 GROUND CONTROLS

FIGURE 2-1. CONTROL VALVES AND TANK INSTALLATION



SECTION 2 GROUND CONTROLS

FIGURE 2-1. CONTROL VALVES AND TANK INSTALLATION

ITEM #	PART NUMBER	QTY.	DESCRIPTION	REV.
		Ref.	VALVES & TANKS INSTALLATION	
	0259752	Ref.	Diesel & Dual Fuel (Prior to S/N 0200141689)	J
	0274650	Ref.	Diesel (S/N 0200141689 to Present)	B
	0274650	Ref.	Dual Fuel (Prior to S/N 0200212108)	B
	1001118608	Ref.	Dual Fuel (S/N 0200212108 to Present)	A
1	0100011	A/R	Compound, Locking	
2	0641506	5	Bolt 5/16in-18NC x 3/4in	
3	0641608	6	Bolt 3/8in-16NC x 1in	
4	0651406	4	Bolt 1/4in-28NF x 3/4in	
5	3900128	5	Screw #10-32NC x 1in	
6		2	Bracket, Tank Tie-Down Options:	
	0902592		Diesel	
	0902592		Dual Fuel (Prior to S/N 0200212108)	
	1001118133		Dual Fuel (S/N 0200212108 to Present)	
7	1380136	2	Clip, Gripper	
8	1701502	1	Decal - Hydraulic Oil Level (High)	
9	1701503	1	Decal - Hydraulic Oil Level (Low)	
10	1703812	1	Decal - Hydraulic Oil	
11		1	Filter Options:	
	2120146		Filter, Medium Pressure (Prior to S/N 0200141689)	
	2120209		Filter, Pressure (S/N 0200141689 to Present)	
11A		1	Element, Filter Options:	
	2120150		Element, Filter - p/n 2120146	
	2120210		Element, Filter - p/n 2120209	
11B		1	Indicator Options:	
	7016312		Indicator - p/n 2120146	
	7020020	1	Manual Indicator - p/n 2120209	
11C		1	O-Ring, Filter Bowl Options (Not Shown):	
	7023206		O-Ring, Filter Bowl - p/n 2120146	
	7023207		Back-up Ring, Filter Bowl - p/n 2120146	
	70000934		O-Ring, Filter Bowl - p/n 2120209	
12	2200233	2	Plug, Drain	
13	2420190	1	Gauge, Fuel Level	
14	3311601	2	Nut 3/8in-16NC	
15	3311605	2	Locknut 3/8in-16NC	
16	3820020	2	Rivet	
17	3960525	1	Gasket, Fuel Sensor	
18	4240140	1	Strap, Tank Mounting (Prior to S/N 0200114670 Only)	
19	4240141	1	Strap, Tank Mounting	
20		1	Tank, Hydraulic Oil Options:	
20A	4400425		Prior to S/N 0200114670 (See Items 101- 106)	
20B	4400458		S/N 0200114670 to Present (See Items 201- 206)	
21		1	Tank, Fuel Options:	
21A	4400428	1	Tank, Fuel (Diesel to Present & Dual Fuel Prior to S/N 0200212108)	
	7020257	1	Cap	
	0259823	1	Cap, Protectoseal	

SECTION 2 GROUND CONTROLS

FIGURE 2-1. CONTROL VALVES AND TANK INSTALLATION (CONTINUED)

ITEM #	PART NUMBER	QTY.	DESCRIPTION	REV.
21B	100118607	1	Tank, Fuel -Dual Fuel (See Items 301-306)(S/N 0200212108 to Present)	
22	4420037	A/R 4ft./1.2m 2ft./0.6m	Tape, Insulation Options: Prior to S/N 0200114670 S/N 0200114670 to Present	
23	4641109	1	Main Valve Assembly (See Figure 2-2 for Breakdown)	
24	4641121	1	Flow Divider Valve Assembly (4WD) (See Figure 2-3 for Breakdown)	
25	4711400	A/R	Flatwasher 1/4in Thin	
26	4711500	7	Flatwasher 5/16in Thin	
27	4711600	A/R	Flatwasher 3/8in Thin	
28	4751000	A/R	Flatwasher #10 Regular	
29	4060808	8ft/2.4m	Trim, Flexible (Not Shown)	
30	4100033	4ft/1.2m	Sleeve, Hose Protection (Not Shown) (Prior to S/N 0200191139)	
31	Not Used			
32	4060807	32in/81cm	Shield, Flex-Trim (Not Shown)	
33	0641508	1	Bolt 5/16in-18NC x 1in	
34	3311505	1	Locknut 5/16in-18NC	
35	4240018	A/R	Tie Strap (Not Shown) (S/N 0200191139 to Present)	
36	0641820	2	Bolt 1/2in-13NC x 2-1/2in (S/N 0200212108 to Present)	
37	4751600	2	Flatwasher 1/2in Regular(S/N 0200212108 to Present)	
	4400425	Ref.	HYDRAULIC OIL TANK ASSEMBLY (PRIOR TO S/N 0200114670)	
101	7014811	1	Cap	
102	7014816	1	Screen	
103	7020256	1	Neck, Fill	
104	7014802	1	Gauge	
105	7023219	1	Plug, Magnetic	
106	7020253	1	Strainer	
	4400458	Ref.	HYDRAULIC OIL TANK ASSEMBLY (S/N 0200114670 TO PRESENT)	H
201	7024445	1	Screen	
202	7026575	1	Cap	
203	7024446	1	Plug, Magnetic	
204	7024441	1	Gauge	
205	7026121	1	Strainer	
206	7024443	1	Neck, Fill	
	100118607	Ref.	FUEL TANK ASSEMBLY - DUAL FUEL (S/N 0200212108 TO PRESENT)	E
301	0100020	A/R	Sealant	
302	1001128799	1	Cap	
303	1001129043	1	Valve, Fuel Vent	
304	1001130097	1	Attach, Lanyard	
305	2180467	1	Straight Fitting	

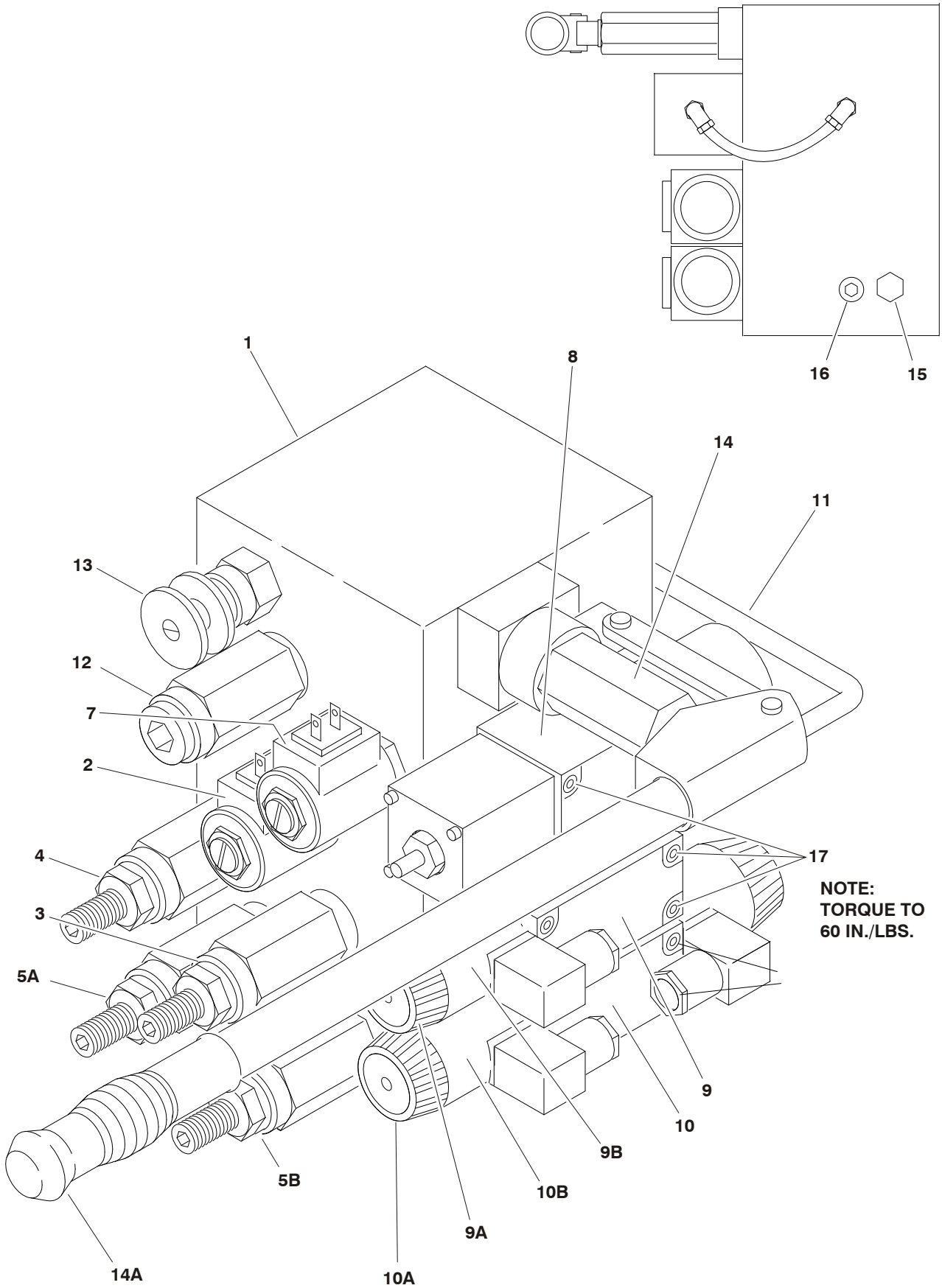
SECTION 2 GROUND CONTROLS

FIGURE 2-1. CONTROL VALVES AND TANK INSTALLATION (CONTINUED)

ITEM #	PART NUMBER	QTY.	DESCRIPTION	REV.
306	2220250	1	Fitting, Reducer	

SECTION 2 GROUND CONTROLS

FIGURE 2-2. MAIN VALVE ASSEMBLY



**NOTE:
TORQUE TO
60 IN./LBS.**

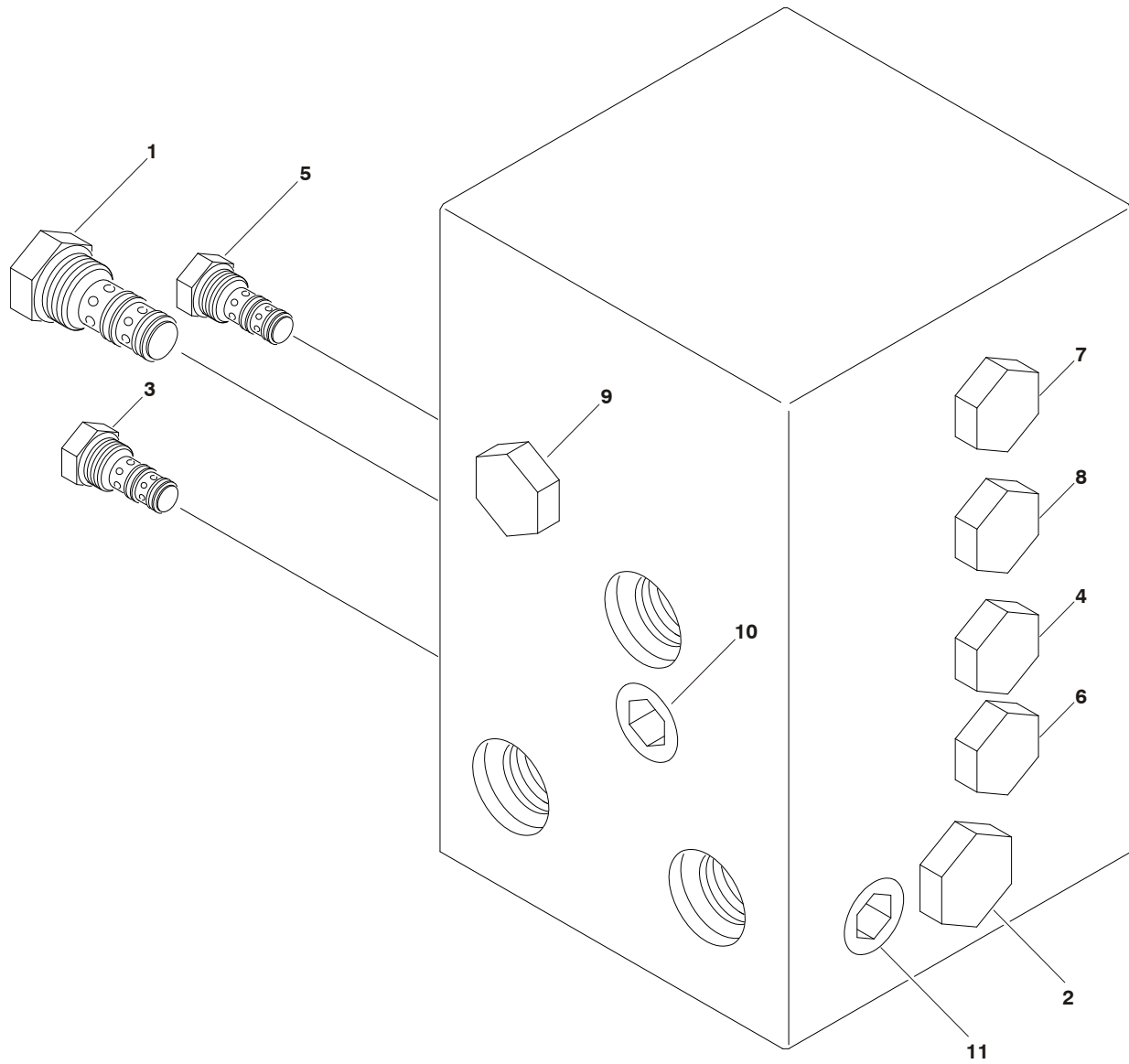
SECTION 2 GROUND CONTROLS

FIGURE 2-2. MAIN VALVE ASSEMBLY

ITEM #	PART NUMBER	QTY.	DESCRIPTION	REV.
	4641109	Ref.	MAIN CONTROL VALVE ASSEMBLY	I
1	Not Serviced	1	Manifold	
2	7017410	1	Cartridge Less Coil (Dump)	
	7012967	1	Seal Kit - 7017410 Cartridge	
	7012944	1	Coil	
3	7023971	1	Cartridge, Relief (Main) (was p/n 7017418)	
	7012953	1	Seal Kit - 7023971 Cartridge	
4	7023972	1	Cartridge, Relief (Lift)	
	7012953	1	Seal Kit - 7023972 Cartridge	
5A	7023973	2	Cartridge, Relief (Steer)	
	7023975	2	Seal Kit - 7023973 Cartridge (1 Per Cartridge)	
5B	7023974	2	Cartridge, Relief (Steer)	
	7023975	2	Seal Kit - 7023974 Cartridge (1 Per Cartridge)	
6	7022527	1	Orifice 1/16in/2.0mm (Not Shown - Located on Back of Valve at Port L)	
7	7012941	1	Cartridge Less Coil (Brake Release)	
	7010543	1	Seal Kit - 7012941 Cartridge	
	7012944	1	Coil	
8	7024929	1	Valve Assembly	
	7022531	1	Seal Kit	
9	7022529	1	Valve Assembly (Lift)	
	7012773	1	Seal Kit	
9A	7021375	1	Nut	
9B	7021376	1	Coil	
10	7021365	1	Valve Assembly (Steer)	
	7012773	2	Seal Kit	
10A	7021375	2	Nut	
10B	7021376	2	Coil	
11	7018903	1	Tube Assembly	
	7018904	1	Fitting, Straight	
12	7023916	1	Cartridge, Check (was p/n 7021628)	
	7012998	1	Seal Kit - 7023916 Cartridge (was p/n 7012967)	
13	7021629	1	Cartridge, Needle Valve	
	7012953	1	Seal Kit - 7021629 Cartridge	
14	7023208	1	Valve Assembly (Brake Release)	
	7023209	1	Seal Kit - 7023208 Cartridge	
14A	7023210	1	Handle	
15	7023976	1	Cartridge	
	7012967	1	Seal Kit - 7023976 Cartridge	
16	7022523	1	Orifice	
17	7018942	12	Capscrew, Socket Head #10-24NC x 2in	

SECTION 2 GROUND CONTROLS

FIGURE 2-3. FLOW DIVIDER ASSEMBLY



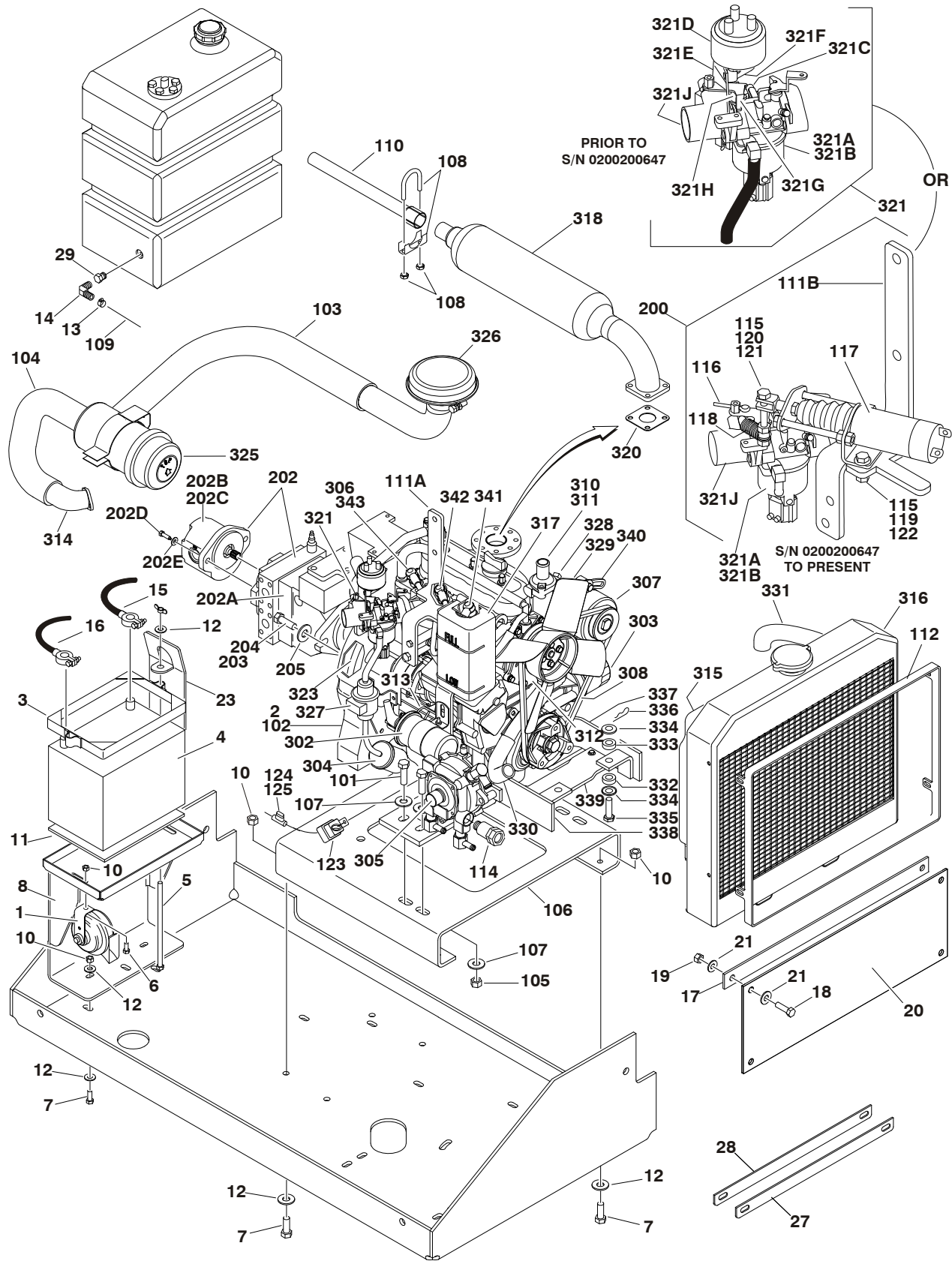
SECTION 2 GROUND CONTROLS

FIGURE 2-3. FLOW DIVIDER ASSEMBLY

ITEM #	PART NUMBER	QTY.	DESCRIPTION	REV.
	4641121	Ref.	FLOW DIVIDER VALVE ASSEMBLY	B
1	7017425	1	Cartridge	
	7017405	1	Seal Kit - 7017425 Cartridge	
2	7024873	1	Cartridge	
	7012904	1	Seal Kit - 7024873 Cartridge	
3	7024873	1	Cartridge	
	7012904	1	Seal Kit - 7024873 Cartridge	
4	7012975	1	Cartridge	
	7012967	1	Seal Kit - 7012975 Cartridge	
5	7012975	1	Cartridge	
	7012967	1	Seal Kit - 7012975 Cartridge	
6	7012975	1	Cartridge	
	7012967	1	Seal Kit - 7012975 Cartridge	
7	7012975	1	Cartridge	
	7012967	1	Seal Kit - 7012975 Cartridge	
8	7012975	1	Cartridge	
	7012967	1	Seal Kit - 7012975 Cartridge	
9	7012975	1	Cartridge	
	7012967	1	Seal Kit - 7012975 Cartridge	
10	7022523	1	Orifice (1.0mm)	
11	7022524	2	Orifice (0.5mm)	

SECTION 2 GROUND CONTROLS

FIGURE 2-4. KUBOTA ENGINE INSTALLATION (DUAL FUEL) (PRIOR TO S/N 0200212108)



SECTION 2 GROUND CONTROLS

FIGURE 2-4. KUBOTA ENGINE INSTALLATION (DUAL FUEL) (PRIOR TO S/N 0200212108)

ITEM #	PART NUMBER	QTY.	DESCRIPTION	REV.
	0259777	Ref.	KUBOTA ENGINE INSTALLATION	N
1	0140001	1	Horn (Prior to S/N 0200112688 Only)	
2	0270063	1	Dual Fuel Assembly (See Items 201 to 205 for Breakdown)	
3	0400002	1	Hold Down, Battery	
	2910479	1	Clip Kit	
4	0400003	1	Battery, 12 Volt	
5	0641676	2	Bolt 3/8in-16NC x 9-1/2in	
6	Not Used			
7	0641608	6	Bolt 3/8in-16NC x 1in	
8	0902597	1	Bracket, Battery Mount	
9	Not Used			
10	3311605	10	Locknut 3/8in-16NC	
11	3980003	1	Seat, Battery (Prior to S/N 0200111498)	
12	4751600	12	Flatwasher 3/8in Regular	
13	1320022	2	Clamp, Fuel Line	
14		1	Fitting Options:	
	2220869		90° Fitting	
	2180467		Straight Fitting	
15	1060816	1	Cable, Battery (Negative)	
16	1060817	1	Cable, Battery (Positive)	
17	0362931	1	Bar, Shield Clamp	
18	0641406	2	Bolt 1/4in-20NC x 3/4in	
19	3311405	2	Locknut 1/4in-20NC	
20	4060992	1	Shield, Radiator	
21	4711400	4	Flatwasher 1/4in Thin	
22	0840025	1	Boot, Cable (Not Shown - Located at Starter)	
23	1670970	1	Cover, Battery	
24 to 26	Not Used			
27	4280315	1	Strip, Air Intake Cover (Outer)	
28	4280316	1	Strip, Air Intake Cover (Inner)	
29	2220250	1	Fitting, Reducer	
	0270038	Ref.	KUBOTA ENGINE ASSEMBLY	J
101	0641610	6	Bolt 3/8in-16NC x 1-1/4in	
102	2000167	1	Kubota Engine Assembly with Dual Fuel (See Items 301- 339 for Breakdown)	
103	2720460	1	Hose, Air Intake	
104	2720461	1	Hose, Air Intake	
105	3311605	6	Locknut 3/8in-16NC	
106	3572164	1	Plate, Engine Mount	
107	4751600	12	Flatwasher 3/8in Regular	
108	1320274	1	Clamp, Muffler	
109	1001091587	A/R	Hose, Fuel Line	
110	3460319	1	Pipe, Exhaust	
111		1	Bracket, Reserve Tank Mounting Options:	
111A	0902619		Prior to S/N 0200200647	

SECTION 2 GROUND CONTROLS

**FIGURE 2-4. KUBOTA ENGINE INSTALLATION (DUAL FUEL) (PRIOR TO S/N 0200212108)
(CONTINUED)**

ITEM #	PART NUMBER	QTY.	DESCRIPTION	REV.
111B	1001107725		S/N 0200200647 to S/N 0200212108	
112	0902623	1	Bracket, Radiator Seal	
113	0840026	1	Boot, Terminal (Not Shown - Located at Alternator)	
114	2120077	1	Filter-Lock, LP Gas	
115	3311405	4	Locknut 1/4in-20NC	
116	3450403	1	Pin, Cotter 1/8in x 3/4in	
117	3740151	1	Solenoid, Choke (S/N 0200200647 to S/N 0200212108)	
118	4160097	1	Spring (S/N 0200200647 to S/N 0200212108)	
119	4711400	4	Flatwasher 1/4in Thin	
120	1440322	1	Collar (S/N 0200200647 to S/N 0200212108)	
121	0641418	1	Bolt 1/4in-20NC x 2-1/4in	
122	0641406	2	Bolt 1/4in-20NC x 3/4in	
123	3740019	1	Relay (S/N 0200200647 to S/N 0200212108)	
124	2400060	1	Fuse Holder (S/N 0200200647 to S/N 0200212108)	
125	2400070	1	Fuse, 20 Amp (S/N 0200200647 to S/N 0200212108)	
126 to 199	Not Used			
200	1001115331	1	Solenoid Operated Choke Kit (Machines S/N 0200200647 to S/N 0200212108) (Kit Includes Items 111B, 115-125 & 321B)	
	0270063	Ref.	DUAL FUEL POWERPLANT ASSEMBLY	E
201	Not Used			
202		1	Pump Assembly Options:	
	Use 3600415		Pump Assembly Prior to S/N 0200111922 (Includes Items 202A & 202B) (was p/n 3600307)	
	Use 3600415		Pump Assembly S/N 0200111922 to S/N 0200117591 (Includes Items 202A & 202C) (was p/n 3600373)	
	3600415		Pump Assembly S/N 0200117591 to S/N 0200212108 (Includes Items 202A & 202C)	
202A		1	Variable Displacement Pump Assembly Options:	
	Use 3600414		Prior to S/N 0200117591 (See Figure 2-7 for Breakdown (was p/n 3600300)	
	3600414		S/N 0200117591 to Present (See Figure 2-8 for Breakdown)	
202B	Use 3600369	1	Gear Pump Assembly (See Figure 2-9 for Breakdown) (Prior to S/N 0200111922) (was p/n 3600301)	
202C	3600369	1	Gear Pump Assembly (See Figure 2-10 for Breakdown) (S/N 0200111922 to S/N 0200212108)	
202D	0641608	2	Bolt 3/8in-16NC x 1in	
202E	4711600	2	Flatwasher 3/8in Thin	
203	0100011	A/R	Compound, Locking	
204	0641812	2	Bolt 1/2in-13NC x 1-1/2in	
205	4711800	2	Flatwasher 1/2in Thin	

SECTION 2 GROUND CONTROLS

**FIGURE 2-4. KUBOTA ENGINE INSTALLATION (DUAL FUEL) (PRIOR TO S/N 0200212108)
(CONTINUED)**

ITEM #	PART NUMBER	QTY.	DESCRIPTION	REV.
	2000167	Ref.	ENGINE COMPONENTS	C
		Ref.	Note: Check ID tag on engine for correct model number, it will be either DF750 or DF752 when ordering parts.	
301	7017901	1	Switch, Oil (Not Shown)	
302	7023105	1	Coil	
303	7017980	1	Filter, Oil	
304	7017992	1	Filter, Fuel	
305	7017998	1	Vaporizer (Model DF750)	
	70002196	1	Vaporizer (Model DF752)	
306	7017999	3	Sparkplugs	
307	7023169	1	Alternator w/Regulator	
308	7026204	1	V-Belt	
309	7023111	1	Starter (Not Shown)	
310	7023113	1	Thermostat	
311	7023114	1	Gasket, Thermostat	
312	7023115	1	Pump, Water (Model DF750)	
	70002089	1	Pump, Water (Model DF752)	
	7026201	1	Gasket, Water Pump	
313	7017981	1	Dipstick	
314	7023198	1	Horn, Air Intake	
315	7023125	1	Shroud	
316	7023128	1	Radiator	
	7017967	1	Cap, Radiator	
317	7023126	1	Tank, Reserve	
318	7023127	1	Muffler	
319	7017977	1	Element, Breather (Not Shown - Located on Valve Cover)	
320	7023124	1	Gasket, Exhaust	
321		1	Carburetor Options:	
321A	7023197		Carburetor with Item 321D Choke	
321B	7023176		Carburetor without Choke (Model DF750)	
	70002195		Carburetor without Choke (Model DF752)	
321C	Not Available	1	Valve, LP Lockout Solenoid (Not Sold Separately)	
321D	7023184	1	Choke (Other Parts Sold Separately) (Prior to S/N 0200200647)	
321E	7026209	1	Bracket, Choke Support	
321F	7023193	1	Base, Choke	
	7023192	1	Bushing (Located Under Choke Base)	
	7023194	1	Washer (Located Under Bushing)	
321G	7023195	1	Rod, Choke	
321H	7023191	1	Bushing, Bronze	
321J	7023198	1	Horn, Air	
322	7023173	1	Sensor, Speed (Not Shown)	
323	Not Available	1	Coupling, Pump	
324	Not Used			
325	7023174	1	Air Cleaner Assembly	
	7023153	1	Element	
326	7017942	1	Cap, Air Intake	
327	7023190	1	Pump, Fuel Assembly	

SECTION 2 GROUND CONTROLS

**FIGURE 2-4. KUBOTA ENGINE INSTALLATION (DUAL FUEL) (PRIOR TO S/N 0200212108)
(CONTINUED)**

ITEM #	PART NUMBER	QTY.	DESCRIPTION	REV.
328	7026211	1	Switch, Thermostat Assembly	
329	7023120	1	Fan	
330	70000627	1	Hose, Lower Radiator	
331	70000628	1	Hose, Upper Radiator	
332	70000620	2	Cushion, Lower	
333	70000621	2	Cushion, Upper	
334	70000622	4	Washer, Cup	
335	70000623	2	Bolt	
336	70000624	2	Pin, Snap	
337	70001381	1	Support, Radiator (Right)	
338	70001382	1	Support, Radiator (Left)	
339	70001383	1	Plate, Radiator Support Connector	
340	70001439	1	Alternator, Adjusting Strap	
341	7023101	1	Spark Plug Wire (Model DF750)	
	70002197	1	Spark Plug Wire (Model DF752)	
342	7023102	1	Spark Plug Wire (Model DF750)	
	70002198	1	Spark Plug Wire (Model DF752)	
343	7023103	1	Spark Plug Wire (Model DF750)	
	70002199	1	Spark Plug Wire (Model DF752)	
344	70003624	1	Mount, Engine/Vaporizer	

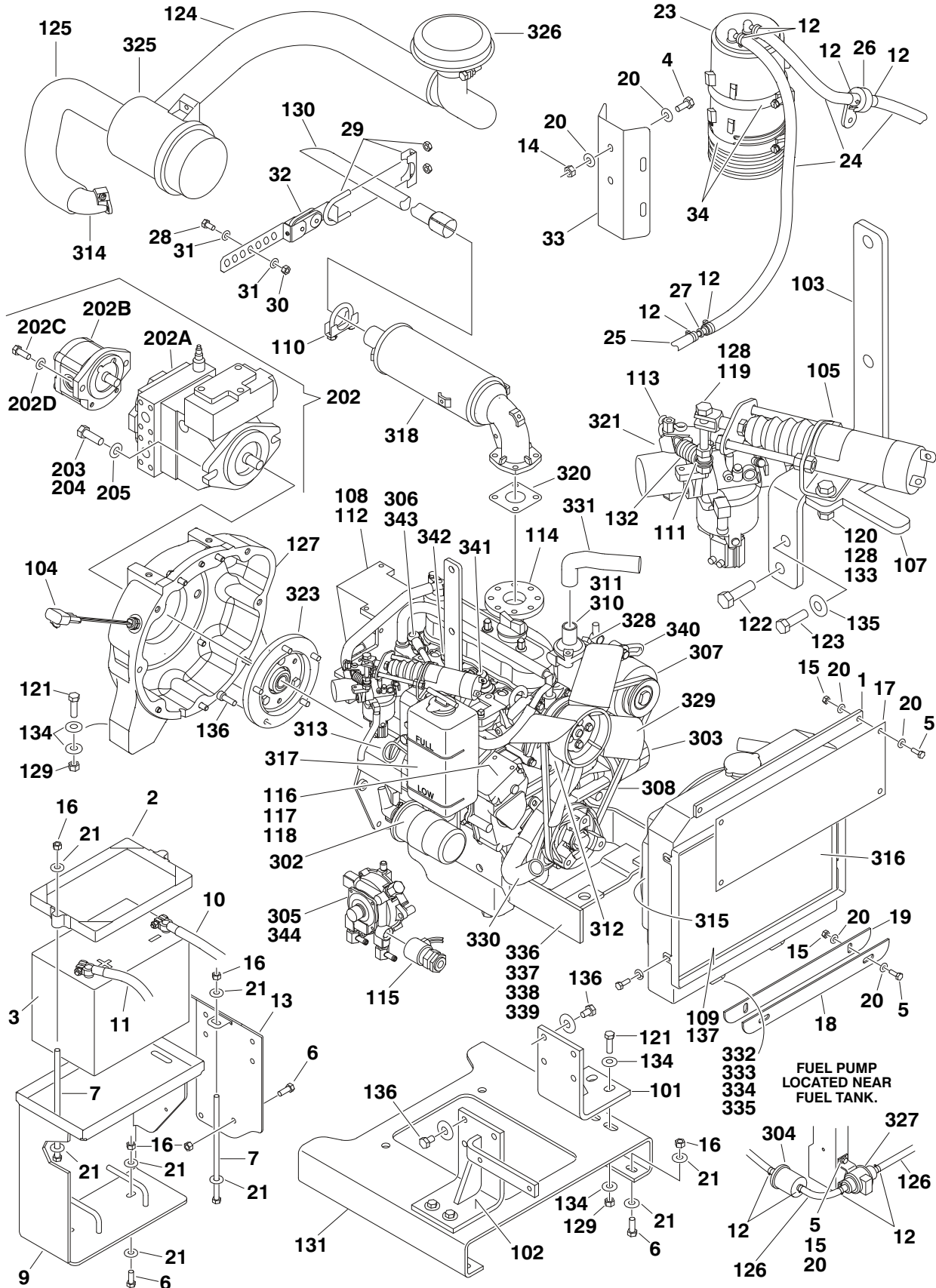
SECTION 2 GROUND CONTROLS

**FIGURE 2-4. KUBOTA ENGINE INSTALLATION (DUAL FUEL) (PRIOR TO S/N 0200212108)
(CONTINUED)**

ITEM #	PART NUMBER	QTY.	DESCRIPTION	REV.

SECTION 2 GROUND CONTROLS

FIGURE 2-5. KUBOTA ENGINE INSTALLATION (DUAL FUEL) (S/N 0200212108 TO PRESENT)



SECTION 2 GROUND CONTROLS

FIGURE 2-5. KUBOTA ENGINE INSTALLATION (DUAL FUEL) (S/N 0200212108 TO PRESENT)

ITEM #	PART NUMBER	QTY.	DESCRIPTION	REV.
	1001118772	Ref.	KUBOTA ENGINE INSTALLATION	D
1	0362931	1	Bar, Shield Clamp	
2	0400002	1	Hold Down, Battery	
	2910479	1	Clip Kit	
3	0400003	1	Battery, 12 Volt	
4	0641405	2	Bolt 1/4in-20NC x 5/8in	
5	0641406	6	Bolt 1/4in-20NC x 3/4in	
6	0641608	8	Bolt 3/8in-16NC x 1in	
7	0641676	2	Bolt 3/8in-16NC x 9-1/2in	
8	0840025	1	Boot, Cable (Not Shown - Located at Starter)	
9	0902597	1	Bracket, Battery Mount	
10	1060816	1	Cable, Battery (Negative)	
11	1060817	1	Cable, Battery (Positive)	
12	1320022	14	Clamp, Fuel Line	
13	1670970	1	Cover, Battery	
14	3311401	2	Nut 1/4in-20NC	
15	3311405	6	Locknut 1/4in-20NC	
16	3311605	10	Locknut 3/8in-16NC	
17	4060992	1	Shield, Radiator	
18	4280315	1	Strip, Air Intake Cover (Outer)	
19	4280316	1	Strip, Air Intake Cover (Inner)	
20	4711400	18	Flatwasher 1/4in Thin	
21	4751600	16	Flatwasher 3/8in Regular	
22	Not Used			
23	1001127172	1	Filter, Carbon Canister	
24	1001129255	4ft/1.2m	Hose, Fuel Line	
25	1001129255	6ft/1.8m	Hose, Fuel Line	
26	1001131324	1	Valve, Check	
27	1001131391	1	Coupling, 3/16in-1/4in Fuel Line	
28	0641505	2	Bolt 5/16in-18NC x 5/8in	
29	1320274	1	Clamp, Muffler	
30	3311505	3	Locknut 5/16in-18NC	
31	4711500	5	Flatwasher 5/16in Regular	
32	1001133497	1	Hanger, Exhaust Tailpipe	
33	1001142984	1	Bracket	
34	1320058	2	Clamp	
35	1001144220	1	Decal - EPA EVAP STD	
	1001118770	Ref.	KUBOTA ENGINE ASSEMBLY	B
101	1001122553	1	Bracket, Engine Mount	
102	1001122554	1	Bracket, Engine Mount	
103	1001107725	1	Bracket, Reserve Tank Mounting	
104	1001118580	1	Sensor, Speed	
105	3740151	1	Solenoid, Choke	
106	0840026	1	Boot, Terminal (Not Shown - Located at Alternator)	
107	1001121859	1	Bracket, Coil Mount	

SECTION 2 GROUND CONTROLS

**FIGURE 2-5. KUBOTA ENGINE INSTALLATION (DUAL FUEL) (S/N 0200212108 TO PRESENT)
(CONTINUED)**

ITEM #	PART NUMBER	QTY.	DESCRIPTION	REV.
108	1001121916	1	Bracket, Speed Controller	
109	0902623	1	Bracket, Radiator Seal	
110	1320274	1	Clamp, Muffler	
111	1440322	1	Collar	
112	1001121917	1	Controller, Speed	
113	3450403	1	Pin, Cotter 1/8in x 3/4in	
114	1001118769	1	Kubota Engine Assembly with Dual Fuel (See Items 301-344 for Breakdown)	
115	2120077	1	Filter-Lock, LP Gas	
116	2400070	1	Fuse, 20 Amp	
117	2400060	1	Fuse Holder	
118	0100048	A/R	Grease, Dielectric	
119	0641418	1	Bolt 1/4in-20NC x 2-1/4in	
120	0641406	2	Bolt 1/4in-20NC x 3/4in	
121	0641610	6	Bolt 3/8in-16NC x 1-1/4in	
122	0700614	1	Bolt Metric M6 x 30mm	
123	0700814	1	Bolt Metric M8 x 30mm	
124	2720460	1	Hose, Air Intake	
125	2720461	1	Hose, Air Intake	
126	1001091587	9ft/2.7m	Hose, Fuel Line	
127	1001121853	1	Housing, Flywheel	
128	3311405	4	Locknut 1/4in-20NC	
129	3311605	6	Locknut 3/8in-16NC	
130	3460319	1	Pipe, Exhaust	
131	3572164	1	Plate, Engine Mount	
132	4160097	1	Spring	
133	4711400	4	Flatwasher 1/4in Thin	
134	4751600	12	Flatwasher 3/8in Regular	
135	4740495	1	Washer, AC Bracket	
136	0100011	A/R	Compound, Locking	
137	3960389	4.6ft/1.4m	Seal	
	1001118771	Ref.	DUAL FUEL POWERPLANT ASSEMBLY	A
201	Not Used			
202	3600415	1	Pump Assembly (Includes Items 202A & 202B)	
202A	3600414	1	Variable Displacement Pump Assembly (See Figure 2-8 for Breakdown)	
202B	3600369	1	Gear Pump Assembly (See Figure 2-10 for Breakdown)	
202C	0641608	2	Bolt 3/8in-16NC x 1in	
202D	4711600	2	Flatwasher 3/8in Thin	
203	0641812	2	Bolt 1/2in-13NC x 1-1/2in	
204	0100011	A/R	Compound, Locking	
205	4711800	2	Flatwasher 1/2in Thin	

SECTION 2 GROUND CONTROLS

**FIGURE 2-5. KUBOTA ENGINE INSTALLATION (DUAL FUEL) (S/N 0200212108 TO PRESENT)
(CONTINUED)**

ITEM #	PART NUMBER	QTY.	DESCRIPTION	REV.
	1001118769	Ref.	ENGINE COMPONENTS	A
301	7017901	1	Switch, Oil (Not Shown)	
302	7023105	1	Coil	
303	7017980	1	Filter, Oil	
304	7017992	1	Filter, Fuel	
305	Not Available	1	Vaporizer	
306	7017999	3	Sparkplugs	
307	7023169	1	Alternator w/Regulator	
308	7026204	1	V-Belt	
309	7023111	1	Starter (Not Shown)	
310	7023113	1	Thermostat	
311	7023114	1	Gasket, Thermostat	
312	Not Available	1	Pump, Water	
	Not Available	1	Gasket, Water Pump	
313	7017981	1	Dipstick	
314	7023198	1	Horn, Air Intake	
315	7023125	1	Shroud	
316	7023128	1	Radiator	
	7017967	1	Cap, Radiator	
317	Not Available	1	Tank, Reserve	
318	Not Available	1	Muffler	
319	Not Available	1	Element, Breather (Not Shown - Located on Valve Cover)	
320	7023124	1	Gasket, Exhaust	
321	Not Available	1	Carburetor	
322	7023173	1	Sensor, Speed (Not Shown)	
323	Not Available	1	Coupling, Pump	
324	Not Used			
325	7023174	1	Air Cleaner Assembly	
	7023153	1	Element	
326	7017942	1	Cap, Air Intake	
327	7023190	1	Pump, Fuel Assembly	
328	7026211	1	Switch, Thermostat Assembly	
329	7023120	1	Fan	
330	Not Available	1	Hose, Lower Radiator	
331	Not Available	1	Hose, Upper Radiator	
332	Not Available	2	Cushion, Lower	
333	Not Available	2	Cushion, Upper	
334	Not Available	4	Washer, Cup	
335	Not Available	2	Bolt	
336	Not Available	2	Pin, Snap	
337	Not Available	1	Support, Radiator (Right)	
338	Not Available	1	Support, Radiator (Left)	
339	Not Available	1	Plate, Radiator Support Connector	
340	70001439	1	Alternator, Adjusting Strap	
341	7023101	1	Spark Plug Wire	
342	7023102	1	Spark Plug Wire	
343	7023103	1	Spark Plug Wire	

SECTION 2 GROUND CONTROLS

**FIGURE 2-5. KUBOTA ENGINE INSTALLATION (DUAL FUEL) (S/N 0200212108 TO PRESENT)
(CONTINUED)**

ITEM #	PART NUMBER	QTY.	DESCRIPTION	REV.
344	Not Available	1	Mount, Engine/Vaporizer	

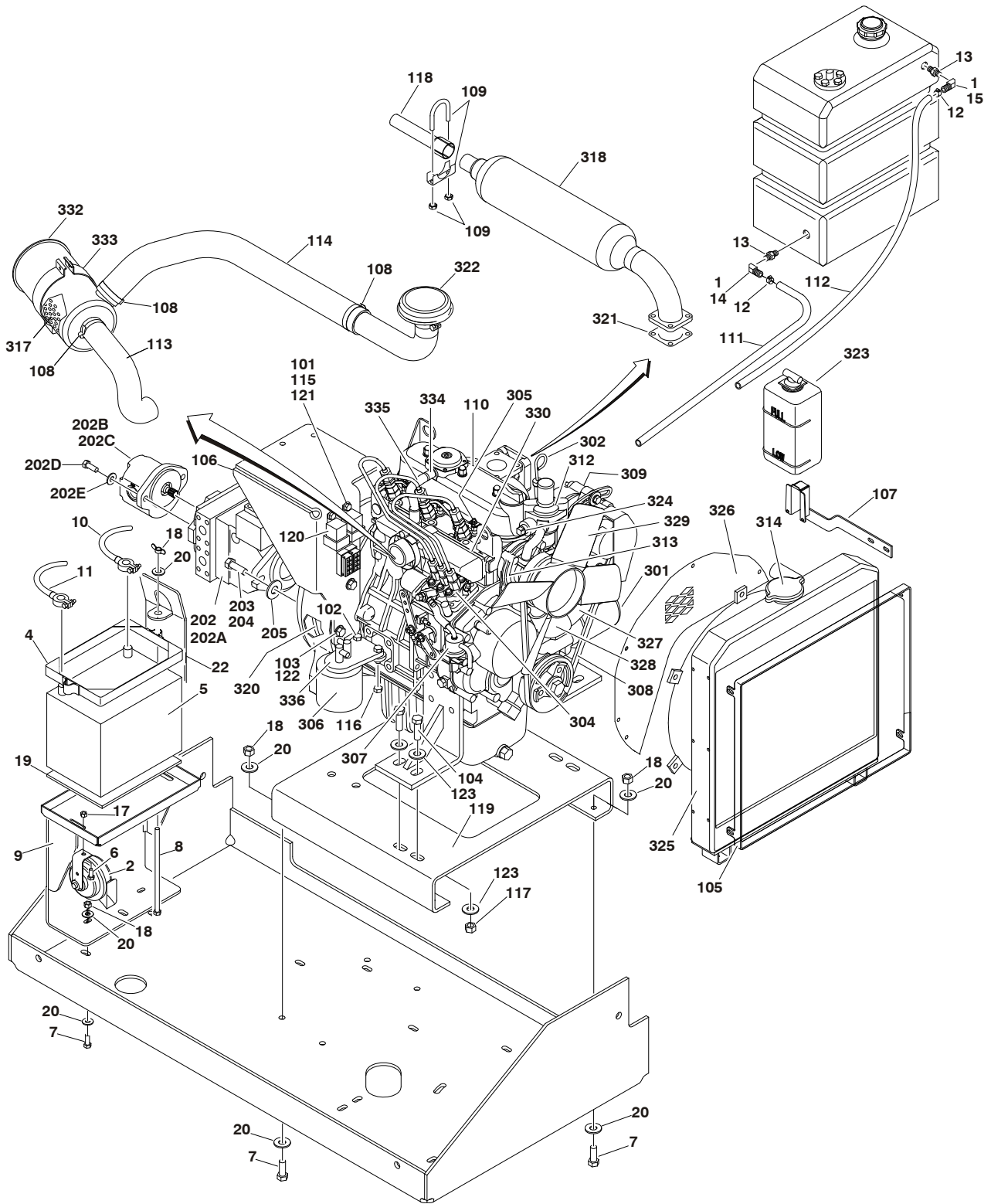
SECTION 2 GROUND CONTROLS

**FIGURE 2-5. KUBOTA ENGINE INSTALLATION (DUAL FUEL) (S/N 0200212108 TO PRESENT)
(CONTINUED)**

ITEM #	PART NUMBER	QTY.	DESCRIPTION	REV.

SECTION 2 GROUND CONTROLS

FIGURE 2-6. KUBOTA ENGINE INSTALLATION (DIESEL)



SECTION 2 GROUND CONTROLS

FIGURE 2-6. KUBOTA ENGINE INSTALLATION (DIESEL)

ITEM #	PART NUMBER	QTY.	DESCRIPTION	REV.
		Ref.	KUBOTA ENGINE INSTALLATION (DIESEL)	
	0259778	Ref.	Prior to S/N 0200185376	J
	1001096741	Ref.	S/N 0200185376 to S/N 0200222874	B
	1001157980	Ref.	S/N 0200222874 to Present	A
1	0100020	A/R	Sealant	
2	0140001	1	Horn (Prior to S/N 0200112688 Only)	
3		1	Diesel Powerplant Assembly Options (See Items 201 to 205 for Breakdown):	
	0270064		Prior to S/N 0200185376	
	1001096740		S/N 0200185376 to S/N 0200222874	
	1001157978		S/N 0200222874 to Present	
4	0400002	1	Hold Down, Battery	
	2910479	1	Clip Kit	
5	0400003	1	Battery, 12 Volt	
6	0641506	1	Bolt 5/16in-18NC x 3/4in (Prior to S/N 0200112688)	
7	0641608	8	Bolt 3/8in-16NC x 1in	
8	0641676	2	Bolt 3/8in-16NC x 9-1/2in	
9	0902597	1	Bracket, Battery Mount	
10	1060816	1	Cable, Battery (Negative)	
11	1060817	1	Cable, Battery (Positive)	
12	1320022	4	Clamp, Fuel Line	
13	2220250	2	Fitting, Reducer	
14		1	Fitting Options:	
	2220869		90° Fitting	
	2180467		Straight Fitting	
15	2221047	1	Fitting, 90°	
16	Not Used			
17	3311505	1	Locknut 5/16in-18NC (Prior to S/N 0200112688)	
18	3311605	10	Locknut 3/8in-16NC	
19	3980003	1	Seat, Battery (Prior to S/N 0200111498)	
20	4751600	16	Flatwasher 3/8in Regular	
21	0840025	1	Boot, Cable (Not Shown - Located at Starter)	
22	1670970	1	Cover, Battery	
		Ref.	KUBOTA ENGINE ASSEMBLY (DIESEL)	
	Use 1001096739	Ref.	Prior to S/N 0200185376, (was p/n 0270039)	E
	1001096739	Ref.	S/N 0200185376 to S/N 0200222874	C
	1001157977	Ref.	S/N 0200222874 to Present	A
101	0641406	2	Bolt 1/4in-20NC x 3/4in	
102	0641508	2	Bolt 5/16in-18NC x 1in	
103	0641608	2	Bolt 3/8in-16NC x 1in	
104	0641610	6	Bolt 3/8in-16NC x 1-1/4in	
105	0902624	1	Bracket, Radiator Seal	
106	0902647	1	Bracket, Mounting	
107	0902648	1	Mount, Reserve Tank	
108	1320016	4	Clamp	
109	1320274	1	Clamp, Muffler	

SECTION 2 GROUND CONTROLS

FIGURE 2-6. KUBOTA ENGINE INSTALLATION (DIESEL) (CONTINUED)

ITEM #	PART NUMBER	QTY.	DESCRIPTION	REV.
110	2000168 1001096738 1001157976	1	Kubota Engine Assembly (Diesel) Options: Prior to S/N 0200185376 (See Items 301-323 for Breakdown) S/N 0200185376 to S/N 0200222874 (See Items 301-336 for Breakdown) S/N 0200222874 to Present (See Items 301-336 for Breakdown)	
111	2720058	5.5ft/1.7m	Hose, Fuel Line	
112	2720271	7.5ft/2.3m	Hose, 3/16in (Low Pressure)	
113	2720465	1	Hose, Air Intake	
114	2720466	1	Hose, Air Cleaner	
115	3311405	2	Locknut 1/4in-20NC	
116	3311505	2	Locknut 5/16in-18NC	
117	3311605	6	Locknut 3/8in-16NC	
118	3460320	1	Pipe, Exhaust	
119	3572430	1	Plate, Engine Mount	
120	3740049	2	Relay	
121	4711400	2	Flatwasher 1/4in Thin	
122	4711600	2	Flatwasher 3/8in Thin	
123	4751600	12	Flatwasher 3/8in Regular	
124	0840026	1	Boot, Terminal (Not Shown - Located at Alternator)	
		Ref.	DIESEL POWERPLANT ASSEMBLY	
	0270064	Ref.	Prior to S/N 0200185376	D
	1001096740	Ref.	S/N 0200185376 to PS/N 0200222874	B
	1001157978	Ref.	S/N 0200222874 to Present	A
201	Not Used			
202		1	Pump Assembly Options:	
	Use 3600415		Pump Assembly Prior to S/N 0200111922 (Includes Items 202A & 202B) (was p/n 3600307)	
	Use 3600415		Pump Assembly S/N 0200111922 to S/N 0200117591 (Includes Items 202A & 202C) (was p/n 3600373)	
	3600415		Pump Assembly S/N 0200117591 to Present (Includes Items 202A & 202C)	
202A		1	Variable Displacement Pump Assembly Options:	
	Use 3600414		Prior to S/N 0200117591(See Figure 2-7 for Breakdown) (was p/n 3600300)	
	3600414		S/N 0200117591 to Present (See Figure 2-8 for Breakdown)	
202B	Use 3600369	1	Gear Pump Assembly (See Figure 2-9 for Breakdown) (Prior to S/N 0200111922) (was p/n 3600301)	
202C	3600369	1	Gear Pump Assembly (See Figure 2-10 for Breakdown) (S/N 0200111922 to Present)	
202D	0641608	2	Bolt 3/8in-16NC x 1in	
202E	4711600	2	Flatwasher 3/8in Thin	
203	0100011	A/R	Compound, Locking	
204	0641812	2	Bolt 1/2in-13NC x 1-1/2in	
205	4711800	2	Flatwasher 1/2in Thin	

SECTION 2 GROUND CONTROLS

FIGURE 2-6. KUBOTA ENGINE INSTALLATION (DIESEL) (CONTINUED)

ITEM #	PART NUMBER	QTY.	DESCRIPTION	REV.
		Ref.	ENGINE COMPONENTS	
	Use 1001096738	Ref.	Prior to S/N 0200185376, (was p/n 2000168)	C
	1001096738	Ref.	S/N 0200185376 to S/N 0200222874	C
	1001157976	Ref.	S/N 0200222874 to Present	A
		Ref.	Note: No engine breakdown at time of printing for engine p/n 1001157976.	
301	7017923	1	Filter, Oil	
302	7023160	1	Dipstick	
303	7023177	1	Solenoid, Stop - Engine 2000168 (Not Shown)	
304	7023164	1	Pump, Injection	
	70002319	A/R	Shim - 0.175mm	
	70002320	A/R	Shim - 0.200mm	
	70002321	A/R	Shim - 0.250mm	
	70002322	A/R	Shim - 0.300mm	
	70002323	A/R	Shim - 0.350mm	
305	7023137	3	Plug, Glow - Engine 2000168	
	70002324	3	Plug, Glow - Engine 1001096738	
306	7017950	1	Element, Fuel	
307	7026205	1	Pump, Fuel - Engine 2000168	
	70002325	1	Pump, Fuel - Engine 1001096738	
308	7023141	1	V-Belt	
309	7023169	1	Alternator w/Regulator - Engine 2000168	
	7017955	1	Alternator w/Regulator - Engine 1001096738	
310	7023144	1	Starter (Not Shown)	
311	7017901	1	Switch, Oil (Not Shown)	
312	7023170	1	Thermostat	
	70002326	1	Gasket, Thermostat	
313	7017924	1	Pump, Water - Engine 2000168	
	70002327	1	Pump, Water - Engine 1001096738	
	70002328	1	Gasket, Water Pump - Engine 1001096738	
314	7017967	1	Cap, Radiator - Engine 2000168	
	70002329	1	Cap, Radiator - Engine 1001096738	
315	7017968	1	Hose, Radiator - Engine 2000168 (Not Shown - Bottom)	
	70002273	1	Hose, Radiator - Engine 1001096738 (Not Shown - Bottom)	
316	7017969	1	Hose, Radiator - Engine 2000168 (Not Shown - Top)	
	70002272	1	Hose, Radiator - Engine 1001096738 (Not Shown - Top)	
317	7017938	1	Element, Breather	
318	7023172	1	Muffler	
319	7023173	1	Sensor, Speed (Not Shown)	
320	70001933	1	Coupling Kit, Pump (includes Coupling Bolts)	
	70002419		Housing, Cast	
	70001934	1	Flywheel Assembly	
	70001140	1	Gear, Ring	
	70001935	6	Bolt, Flywheel	
321	7023124	1	Gasket, Muffler	
322	7017942	1	Cap, Air Intake	
323	7023126	1	Tank, Reservoir - Engine 2000168	
	70002331	1	Tank, Reservoir - Engine 1001096738	
		Ref.	Note: Items 324 thru 336 for Engine 1001096738.	

SECTION 2 GROUND CONTROLS

FIGURE 2-6. KUBOTA ENGINE INSTALLATION (DIESEL) (CONTINUED)

ITEM #	PART NUMBER	QTY.	DESCRIPTION	REV.
324	7026211	1	Sensor, Water Temperature	
325	70002274	1	Radiator Assembly	
326	70002275	1	Cover, Fan	
327	7017963	1	Pipe, Water	
328	70002330	1	Pipe, Elbow	
329	70001865	1	Fan	
330	7023149	1	Gasket, Intake Manifold	
331	7023148	1	Gasket, Exhaust Manifold (Not Shown)	
332	7017937	1	Air Cleaner Assembly	
333	7026202	1	Band, Air Cleaner	
334	70002316	1	Pipe	
335	70002317	1	Tube, Breather	
336	7017949	1	Fuel Filter Assembly (Includes - cover, fittings, plug, o-ring & filter element)	
	7023199	1	Filter, Cover (Includes fittings)	
	7017992	1	Filter, Inline (Not Shown)	

SECTION 2 GROUND CONTROLS

FIGURE 2-6. KUBOTA ENGINE INSTALLATION (DIESEL) (CONTINUED)

ITEM #	PART NUMBER	QTY.	DESCRIPTION	REV.

SECTION 2 GROUND CONTROLS

FIGURE 2-7. VARIABLE DISPLACEMENT PUMP ASSEMBLY (PRIOR TO S/N 0200117591)

ITEM #	PART NUMBER	QTY.	DESCRIPTION	REV.
	3600300	Ref. Ref.	PISTON PUMP ASSEMBLIES Note: Original Equipment p/n 3600300 piston pump may have been replaced with Service Replacement p/n 3600414. - See Figure 2-8 for Breakdown. Refer to tag on piston pump for identification before ordering parts.	E
1	Not Available	1	Rotary Group Assembly (Includes Items 101-116)	
2	Not Available	1	Shaft Assembly	
	7023887	1	Shaft	
2A	7023888	1	Bearing, Roller	
2B	7023889	1	Ring, Retaining	
3	Not Available	1	Housing Assembly (Includes Items 201-211)	
4	Not Available	1	Stroking Piston Assembly (Includes Items 301-309)	
5	Not Available	1	Port Block Assembly (Includes Items 401-410)	
6	7023877	1	Control Valve Assembly (Includes Items 501-520)	
7	Not Available	1	Thru Drive Assembly (Includes Items 601-621)	
8	7023878	2	Ring, Retaining	
9	Use Item 651	1	Seal, Shaft	
10	Use Item 651	1	O-Ring	
11	Not Used			
12	Not Available	2	Orifice (1.0)	
13	Not Used			
14	Not Serviced	3	Plug, O-Ring	
14A	Use Item 651	3	O-Ring	
15	Not Serviced	3	Plug, O-Ring	
15A	Use Item 651	3	O-Ring	
16	Not Used	1		
17	7023879	1	Pin, Lens	
18	Not Used			
19	Not Used			
20	7022380	2	Relief Valve Assembly	
20A	Use Item 651	2	Ring, Back-Up	
20B	Use Item 651	2	O-Ring	
21	Not Used			
22	Not Used			
23	7023881	1	Charge Pressure Relief Valve Kit	
23A	Use Item 651	1	O-Ring	
24	Use Item 651	1	Nut, Jam	
25 to 28	Not Used			
29	Not Serviced	1	Plug, O-Ring	
29A	Use Item 651	2	O-Ring	
30 to 31	Not Used			
32	Not Available	1	Cover, Stroking Piston	
33 to 35	Not Used			
36	7023882	4	Capscrew M6 x 12	
		Ref.	ROTARY GROUP ASSEMBLY	
101	Not Available	1	Barrel	

SECTION 2 GROUND CONTROLS

FIGURE 2-7. VARIABLE DISPLACEMENT PUMP ASSEMBLY (PRIOR TO S/N 0200117591)

ITEM #	PART NUMBER	QTY.	DESCRIPTION	REV.
102	Not Available	1	Plate, Lens	
103	Not Available	9	Piston	
104	Not Available	1	Plate, Retaining	
105	Not Available	1	Coupling, Ball	
106	7023883	1	Spring	
107	Not Available	3	Pin, Pressure	
108	7023884	1	Ring, Retaining	
109	Not Available	1	Disk	
110	7023885	1	Cradle Bearing Set	
111	7023834	1	Wire	
112	Not Available	1	Lever	
113	Not Available	1	Pin	
114	Not Available	1	Wire	
115	Not Available	1	Plate, Swash	
116	7023886	1pr	Race, Bearing	
		Ref.	HOUSING ASSEMBLY	
201	Not Available	1	Housing	
202	Not Available	2	Rollpin	
203	Not Available	3	Plug, O-Ring	
203A	Use Item 651	3	O-Ring	
204	Not Used			
205	7023890	2	Bushing	
206	Use Item 651	2	Glyd-Ring	
207	Not Available	1	Plug, O-Ring	
207A	Use Item 651	1	O-Ring	
208	Not Used			
209	Not Available	1	Pin	
210	Use Item 651	1	Plug	
211	Not Available	1	Plug, Breakoff	
		Ref.	STROKING PISTION ASSEMBLY	
301	7023891	1	Bolt, Centering	
302	Not Available	1	Piston, Center	
303	7023892	1	Collar, Spring	
304	7023893	1	Spacer	
305	7023894	1	Collar, Spring	
306	7023895	1	Ring, Retaining	
307	7023896	1	Ring	
308	Use Item 651	1	O-Ring	
309	7023897	1	Spring	
		Ref.	PORT BLOCK ASSEMBLY	
401	Not Available	1	Block, Port	
402	Use Item 651	1	Plug	
403	7023898	4	Capscrew M12 x 70	

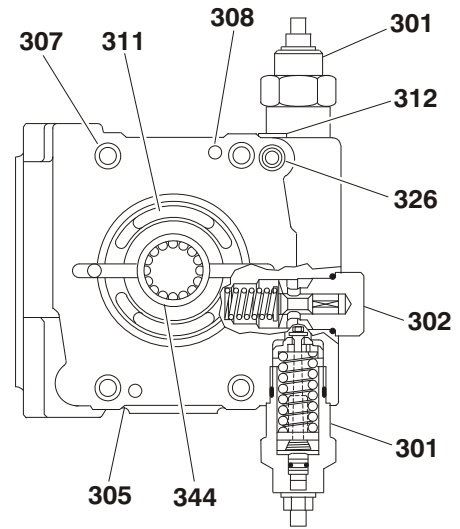
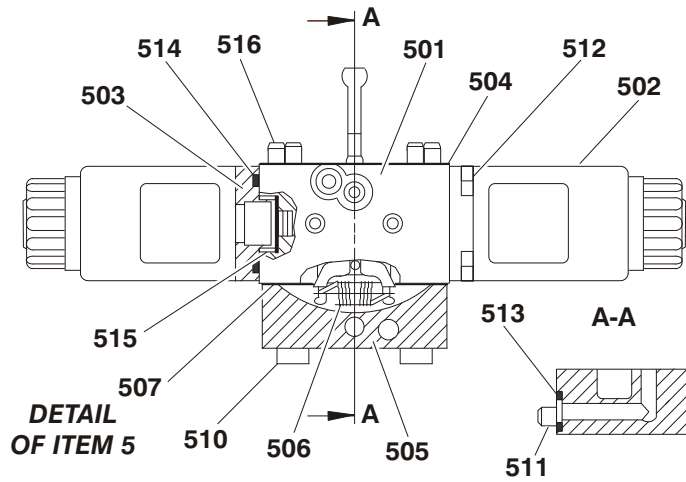
SECTION 2 GROUND CONTROLS

FIGURE 2-7. VARIABLE DISPLACEMENT PUMP ASSEMBLY (PRIOR TO S/N 0200117591)

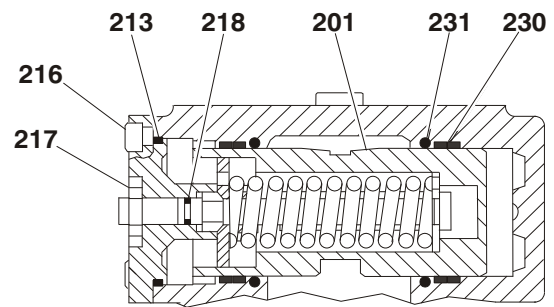
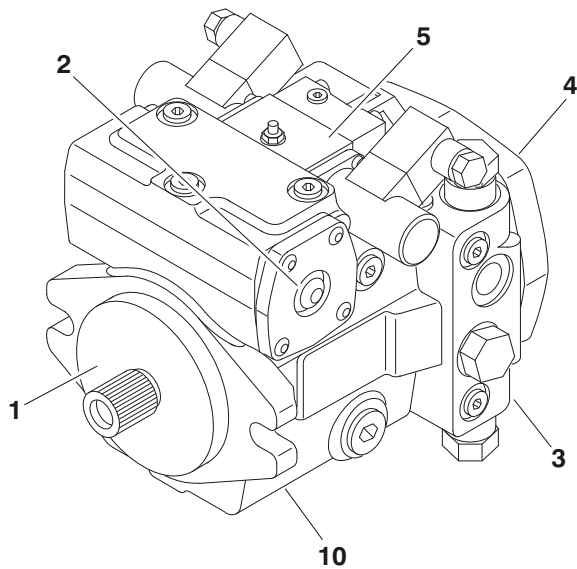
ITEM #	PART NUMBER	QTY.	DESCRIPTION	REV.
404	Not Used			
405	Use Item 651	1	O-Ring	
406	Not Used			
407	7023899	1	Bearing, Roller	
408	Not Available	2	Pin, Dowell	
409	Not Used			
410	Not Available	2	Plug, O-Ring	
410A	Use Item 651	2	O-Ring	
		Ref.	CONTROL VALVE ASSEMBLY	
501	Use Item 651	1	Nut, Seal	
502	Not Available	1	Eccentric	
503	7024000	1	Capscrew M6 x 45	
504	7024001	4	Capscrew M6 x 70	
505	Use Item 651	1	Gasket	
506	7023854	2	Solenoid	
507	7023855	1	Connector, Electrical (Gray)	
508	Not Available	8	Capscrew M4 x 50	
509	Use Item 651	2	O-Ring	
510	7023856	1	Connector, Electrical (Black)	
511	Not Available	2	Pin, Dowell	
512	Use Item 651	1	Gasket	
513	Not Available	1	Pin	
514	7024002	1	Lever, Feedback	
515	7024003	2	Lever	
516	7023859	1	Spring	
517	Not Available	1	Cover	
518	Use Item 651	1	O-Ring	
519	Not Available	1	Block	
520	Not Available	1	Piston	
		Ref.	THRU DRIVE ASSEMBLY	
601	Not Available	1	Plate	
602	7024004	1	Coupling, Shaft	
603 to 606	Not Used			
607	Use Item 651	2	O-Ring	
608	Not Available	1	Gear	
609	Use Item 651	1	O-Ring	
610	Not Available	4	Capscrew M10 x 20	
611 to 612	Not Used			
613	Use Item 651	1	O-Ring	
614 to 619	Not Used			
620	7024005	1	Plate, Wear	
621	Not Available	1	Pin	
651	7024006	1	Seal Kit (Includes Items 9,10,14A,15A,20A,20B,23A, 24,29A,203A,206,207A,210,308,402,405,410A,501, 505,509,512,518,607,609 & 613	

SECTION 2 GROUND CONTROLS

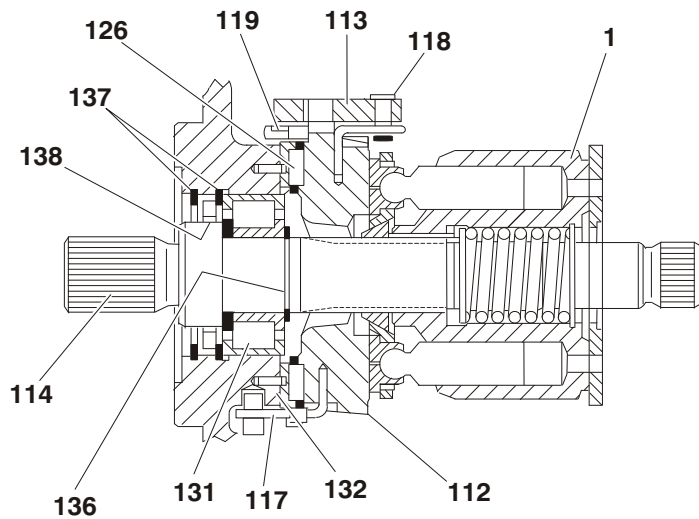
FIGURE 2-8. VARIABLE DISPLACEMENT PUMP ASSEMBLY (S/N 0200117591 TO PRESENT)



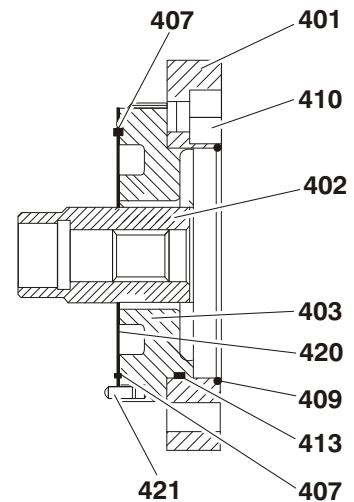
DETAIL OF ITEM 3



DETAIL OF ITEM 2



DETAIL OF ITEM 1



DETAIL OF ITEM 4

SECTION 2 GROUND CONTROLS

FIGURE 2-8. VARIABLE DISPLACEMENT PUMP ASSEMBLY (S/N 0200117591 TO PRESENT)

ITEM #	PART NUMBER	QTY.	DESCRIPTION	REV.
	3600414	Ref.	PISTON PUMP ASSEMBLY	B
1	7024064	1	Rotary Group (See Items 101-138 for Breakdown)	
2	7024065	1	Control Assembly (See Items 201-231 for Breakdown)	
3	Not Available	1	Valve Plate Assembly (See Items 301-344 for Breakdown)	
4	Not Available	1	Internal Pump Assembly (See Items 401-421 for Breakdown)	
5	7024068	1	Module Assembly (See Items 501-516 for Breakdown)	
6 to 9	Not Used			
10	Not Available	1	Housing	
11 to 12	Not Used			
13	80934596	1	Joint, Pin (Not Shown)	
14	Not Available	1	Pin, Dowel (Not Shown)	
15 to 19	Not Used			
20	Not Available	1	Screw, Locking (Not Shown)	
21	Not Used			
22	Not Available	3	Screw, Locking (Not Shown)	
23	Not Available	1	Screw, Locking (Not Shown)	
24	Not Available	1	Screw, Locking (Not Shown)	
25 to 26	Not Used			
27	Not Available	1	Pin, Breakoff (Not Shown)	
28	7018936	2	Orifice (Not Shown)	
29 to 30	Not Used			
31	7028877	2	Pin, Clamping (Not Shown)	
32 to 40	Not Used			
41	7024069	1	O-Ring (Not Shown)	
42 to 48	Not Used			
49	Not Available	1	Plug (Not Shown)	
	7024064	Ref.	ROTARY GROUP	
101 to 111	Not Used			
112	Not Available	1	Swash Plate (Purchase Assembly p/n 7024064)	
113	Not Available	1	Ring, Slide (Purchase Assembly p/n 7024064)	
114	7023887	1	Driveshaft	
115 to 116	Not Used			
117	Not Available	1	Wire (Purchase Assembly p/n 7024064)	
118	Not Available	1	Joint, Pin (Purchase Assembly p/n 7024064)	
119	Not Available	1	Wire (Purchase Assembly p/n 7024064)	
120 to 125	Not Used			
126	Not Available	1 Pr	Liner, Bearing (Purchase Assembly p/n 7024064)	
127 to 130	Not Used			
131	7023888	1	Bearing, Roller	
132	7023885	1 Set	Cradle Bearing Assembly (Purchase Assembly p/n 7024064)	
133 to 135	Not Used			
136	Not Available	1	Ring, Retaining (Purchase Assembly p/n 7024064)	
137	70001968	2	Ring, Retaining (Purchase Assembly p/n 7024064)	
138	7024070	1	Seal, Shaft Ring	

SECTION 2 GROUND CONTROLS

FIGURE 2-8. VARIABLE DISPLACEMENT PUMP ASSEMBLY (S/N 0200117591 TO PRESENT)

ITEM #	PART NUMBER	QTY.	DESCRIPTION	REV.
	7024065	Ref.	CONTROL ASSEMBLY	
201	Not Available	1	Piston, Positioning - Complete (Purchase Assembly p/n 7024065) (Includes Items 213 & 218)	
202 to 212	Not Used			
213	7024071	1	O-Ring, Outer Seal	
214 to 215	Not Used			
216	Not Available	4	Capscrew, Socket Head (Purchase Assembly p/n 7024065)	
217	Not Available	1	Nut, Hex (Purchase Assembly p/n 7024065)	
218	7024072	1	O-Ring, Stem	
219 to 229	Not Used			
230	Not Available	2	Ring, Guide (Purchase Assembly p/n 7024065)	
231	Not Available	2	Ring, Glide (Purchase Assembly p/n 7024065)	
	Not Available	Ref.	VALVE PLATE ASSEMBLY	
301	7024073	2	Cartridge, Relief Valve Note: Sold as an Assembly Except O-Ring & Back-up Ring.	
	7024075	2	O-Ring (1 Per Assembly)	
	7024076	2	Ring, Back-up (1 Per Assembly)	
302	7023881	1	Cartridge, Relief Valve Note: Sold as an Assembly Except O-Ring.	
	7024077	1	O-Ring	
303 to 304	Not Used			
305	70003339	1	Plate, Port	
306	Not Used			
307	Not Available	4	Capscrew	
308	Not Available	2	Pin, Dowel	
309 to 310	Not Used			
311	70003340	1	Pin, Breakoff	
312	Not Available	1	Screw, Locking	
313 to 325	Not Used			
326	7024908	1	O-Ring	
327 to 334	Not Used			
335	Not Available	2	Screw, Locking (Not Shown)	
336 to 343	Not Used			
344	Not Available	1	Bearing, Roller	
	Not Available	Ref.	INTERNAL PUMP ASSEMBLY	
401	Not Available	1	Plate, Sandwich	
402	7024004	1	Coupling, Shaft	
403	Not Available	1	Seal, Ring	
404 to 406	Not Used			
407	Not Available	2	Seal	
408	Not Used			
409	7024082	1	O-Ring	
410	Not Available	4	Capscrew	
411 to 412	Not Used			
413	7024081	1	O-Ring	

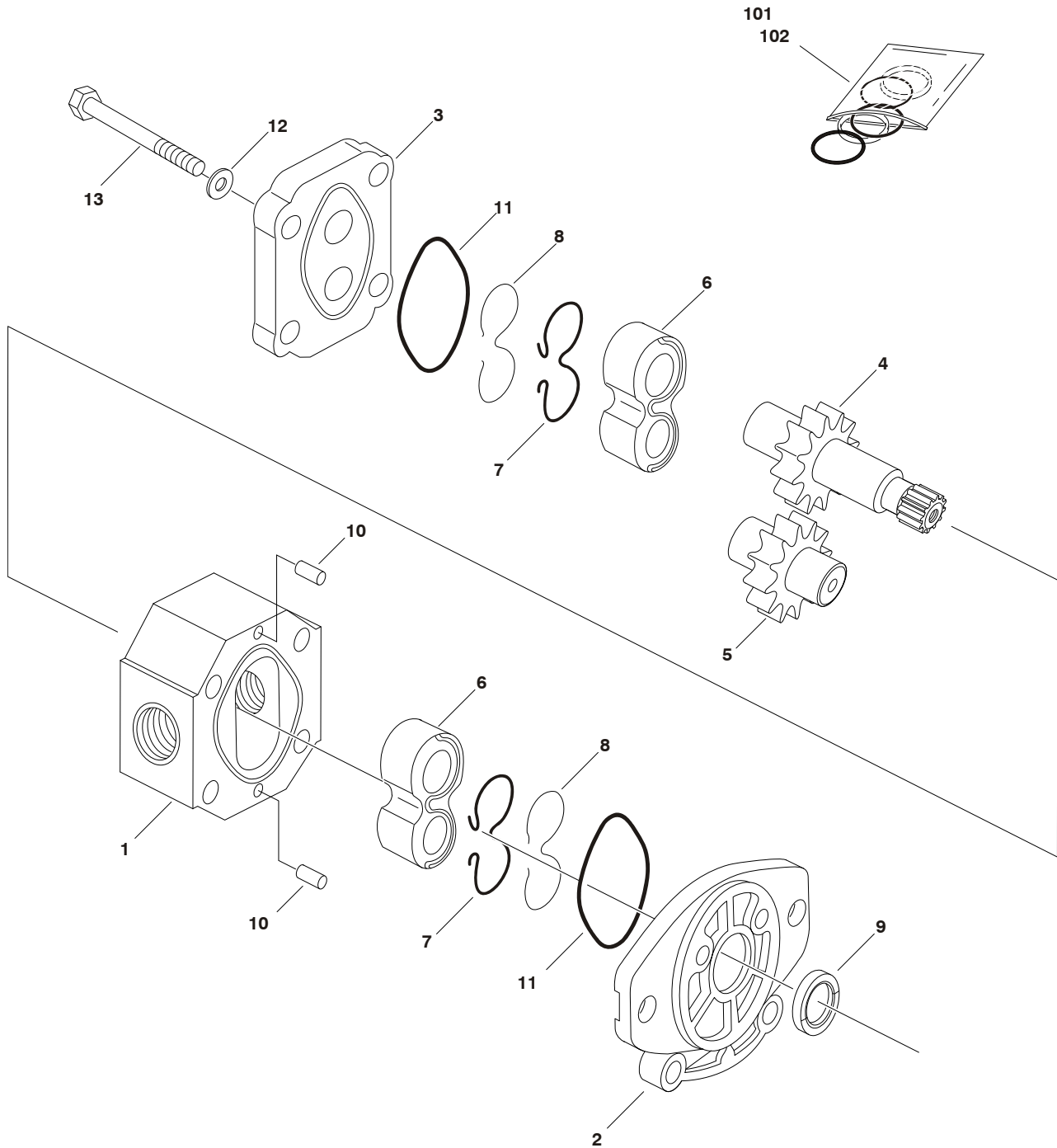
SECTION 2 GROUND CONTROLS

FIGURE 2-8. VARIABLE DISPLACEMENT PUMP ASSEMBLY (S/N 0200117591 TO PRESENT)

ITEM #	PART NUMBER	QTY.	DESCRIPTION	REV.
414 to 419	Not Used			
420	7024005	1	Plate, Wear	
421	Not Available	1	Pin, Dowel	
	7024068	Ref.	MODULE ASSEMBLY	
501	7024084	1	Module, Control (Valve Block) Less Coils Note: No Internal Replacement Parts Available. Sold as an Assembly Only.	
502	7024083	2	Coil, Solenoid	
503	Not Available	2	Adapter, Valve Block to Coil (Purchase Assembly p/n 7024068)	
504	7024085	1	Gasket	
505	Not Available	1	Cover (Purchase Assembly p/n 7024068)	
506	Not Available	1	Spring, Draw (Purchase Assembly p/n 7024068)	
507	7024086	1	Gasket	
508 to 509	Not Used			
510	80934644	4	Capscrew	
511	Not Available	1	Capscrew (Purchase Assembly p/n 7024068)	
512	Not Available	8	Capscrew (Purchase Assembly p/n 7024068)	
513	7024087	1	O-Ring	
514	7024088	2	O-Ring	
515	7024089	2	Cup, Spring	
516	Not Available	2	Pin, Dowel (Purchase Assembly p/n 7024068)	
	Not Available	1	----- Seal Kit - Complete	

SECTION 2 GROUND CONTROLS

FIGURE 2-9. GEAR PUMP ASSEMBLY (PRIOR TO S/N 0200111922)



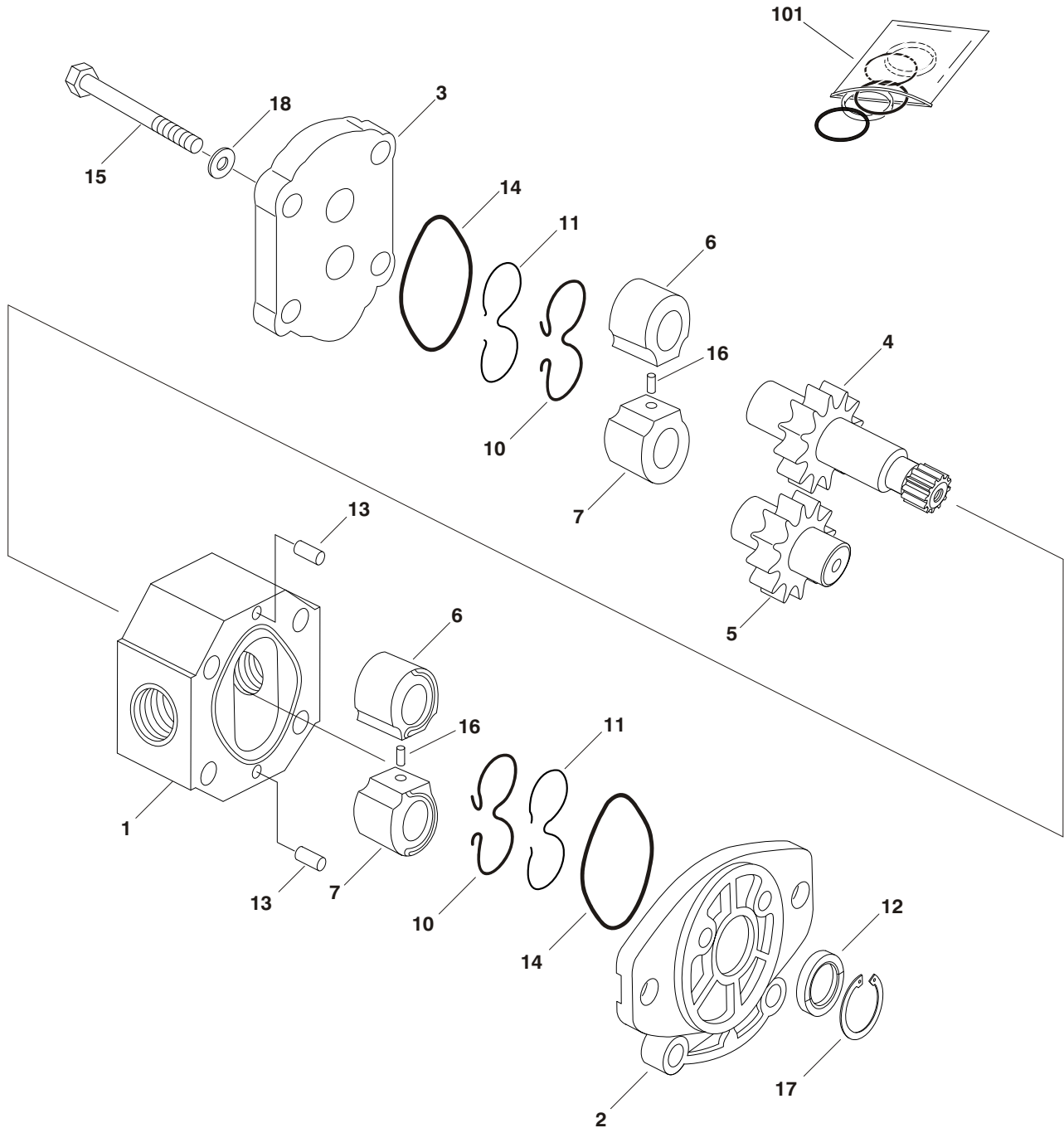
SECTION 2 GROUND CONTROLS

FIGURE 2-9. GEAR PUMP ASSEMBLY (PRIOR TO S/N 0200111922)

ITEM #	PART NUMBER	QTY.	DESCRIPTION	REV.
	3600301	Ref. Ref.	GEAR PUMP ASSEMBLY Note: Original Equipment p/n 3600301 gear pump may have been replaced with Service Replacement p/n 3600369. - See Figure 2-10 for Breakdown. Refer to tag on gear pump for identification before ordering parts.	B
1	Not Serviced	1	Body	
2	Not Serviced	1	Cover, Front	
3	Not Serviced	1	Cover, Rear	
4	7023816	1	Gear, Drive	
5	7023817	1	Gear, Idler	
6	Use Item 102	2	Bearing, Block	
7	See Note	2	Seal, Loading (Note: Use Items 101 & 102)	
8	See Note	2	Seal, Anti Extrusion (Note: Use Items 101 & 102)	
9	See Note	1	Seal, Shaft (Note: Use Items 101 & 102)	
10	Not Available	2	Pin, Dowel	
11	See Note	2	Ring, Square (Note: Use Items 101 & 102)	
12	7023813	4	Washer	
13	7023818	4	Screw, Cap	
		1	----- Seal Kit Options:	
101	7023808		Kit 1 (Includes Items - 7,8,9 & 11)	
102	7023819		Kit 2 (Includes Items - 6,7,8,9 & 11)	

SECTION 2 GROUND CONTROLS

FIGURE 2-10. GEAR PUMP ASSEMBLY (S/N 0200111922 TO PRESENT)



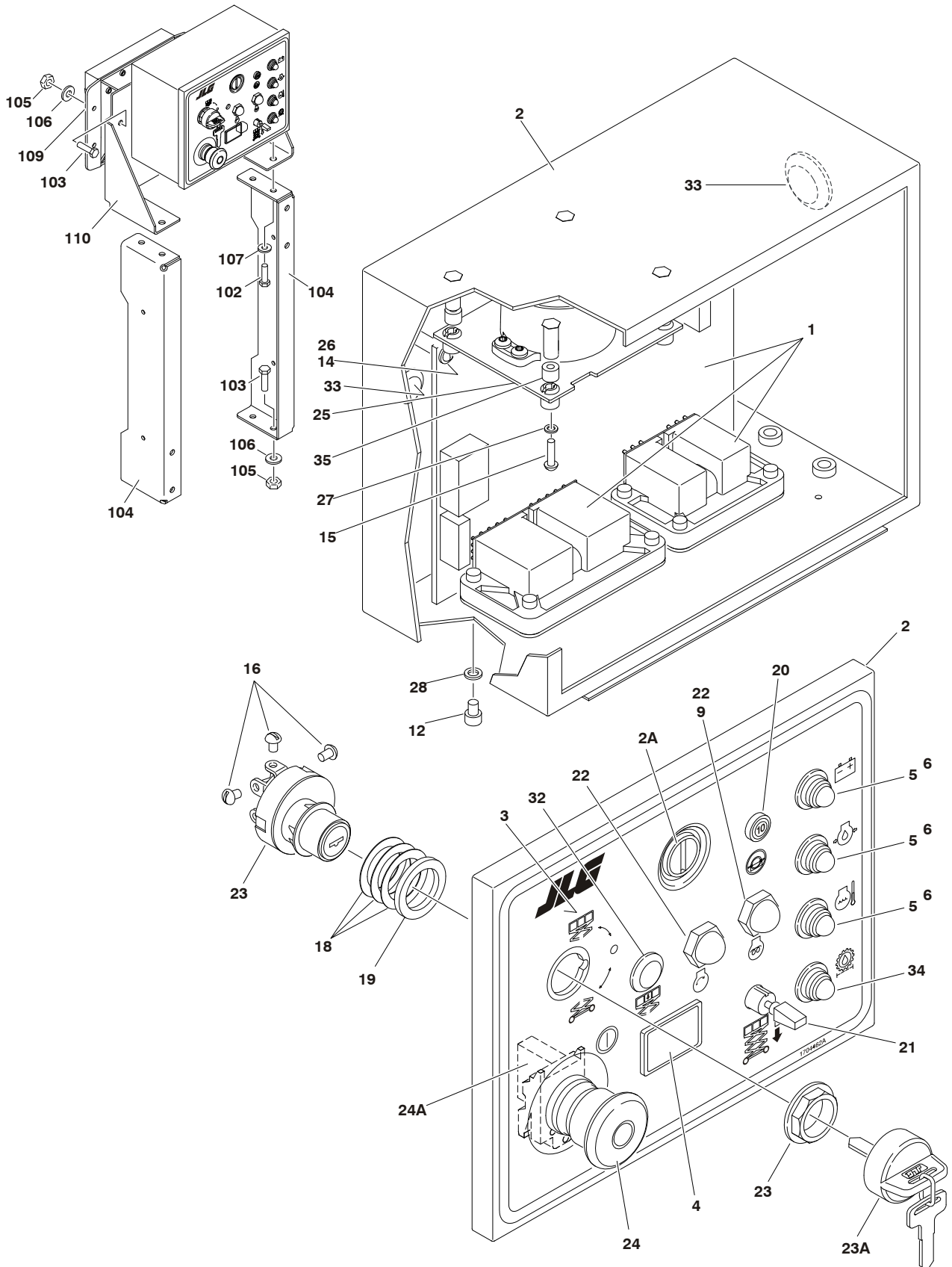
SECTION 2 GROUND CONTROLS

FIGURE 2-10. GEAR PUMP ASSEMBLY (S/N 0200111922 TO PRESENT)

ITEM #	PART NUMBER	QTY.	DESCRIPTION	REV.
	3600369	Ref.	GEAR PUMP ASSEMBLY	A
1	Not Serviced	1	Body	
2	Not Serviced	1	Cover, Front	
3	Not Serviced	1	Cover, Rear	
4	Not Serviced	1	Gear, Drive	
5	Not Serviced	1	Gear, Driven	
6	Use 3600369	2	Bearing, Block	
7	Use 3600369	2	Bearing, Block	
8 to 9	Not Used			
10	Use 7024960	2	Seal, Loading	
11	Use 7024960	2	Seal, Anti Extrusion	
12	Use 7024960	1	Seal, Shaft	
13	Not Available	2	Pin, Dowel	
14	Use 7024960	2	Ring, Square	
15	Not Serviced	4	Screw, Cap	
16	Not Available	2	Pin, Dowel	
17	Not Available	1	Ring, Retaining	
18	Not Available	4	Lockwasher	
		1	----- Seal Kit Options:	
101	7024960		Minor Seal Kit (Includes Items - 10,11,12 & 14)	

SECTION 2 GROUND CONTROLS

FIGURE 2-11. GROUND CONTROLS INSTALLATION



SECTION 2 GROUND CONTROLS

FIGURE 2-11. GROUND CONTROLS INSTALLATION

ITEM #	PART NUMBER	QTY.	DESCRIPTION	REV.
		Ref.	GROUND CONTROL BOX ASSEMBLIES	
		Ref.	Dual Fuel Machines without Leveling Jacks Options:	
	0259645	Ref.	Prior to S/N 0200115038	L
	0259864	Ref.	S/N 0200115038 to S/N 0200141689	N
	1810014	Ref.	S/N 0200141689 to S/N 0200200647	J
	1001112909	Ref.	S/N 0200200647 to Present	B
		Ref.	Dual Fuel Machines with Leveling Jacks Options:	
	0259864	Ref.	Prior to S/N 0200141689	N
	1810014	Ref.	S/N 0200141689 to S/N 0200200647	J
	1001112909	Ref.	S/N 0200200647 to Present	B
		Ref.	Diesel Machines without Leveling Jacks Options:	
	0259829	Ref.	Prior to S/N 0200115038	K
	0270423	Ref.	S/N 0200115038 to S/N 0200141689	N
	1810013	Ref.	S/N 0200141689 to Present	J
		Ref.	Diesel Machines with Leveling Jacks Options:	
	0270423	Ref.	Prior to S/N 0200141689	N
	1810013	Ref.	S/N 0200141689 to Present	J
1		1	Circuit Board Options: Machines without Leveling Jacks Options: Prior to S/N 0200115038 S/N 0200115038 to S/N 0200141689 (was p/n 0610134) S/N 0200141689 to Present Machines with Leveling Jacks Options: Prior to S/N 0200141689 (was p/n 0610134) S/N 0200141689 to Present	
	0610140			
	1600457			
	1600382			
	1600457			
	1600382			
2	0861315	1	Box, Ground Control	
2A	Not Available	1	Latch	
3		1	Decal - Ground Control Box Options: Prior to S/N 0200112399 S/N 0200112399 to Present (Shown)	
	1704462			
	1705729			
4	2420172	1	Gauge, Hour Meter	
5	2920026	A/R	Lamp, Holder	
6	2920029	A/R	Lamp, Bulb	
7 to 8	Not Used			
9		A/R	Plug Options: Duel Fuel Machines Diesel Machines	
	3520026	1		
	Not Required	0		
10 to 11	Not Used			
12	3900281	8	Screw	
13	Not Used			
14	3910606	3	Screw #6-32NC x 3/8in	
15		4	Bolt Options: Bolt #6-32NC x 1in Bolt #6-32NC x 3/4in	
	3910616			
	3910612			
16	3910804	3	Screw	
17	Not Used			
18	4070987	3	Shim	
19	4070991	1	Shim	

SECTION 2 GROUND CONTROLS

FIGURE 2-11. GROUND CONTROLS INSTALLATION (CONTINUED)

ITEM #	PART NUMBER	QTY.	DESCRIPTION	REV.
20	4360070	1	Breaker, Circuit - 15Amp	
21	4360328	1	Switch, Toggle	
22	4360387	A/R	Switch, Yellow Push Button Options:	
		1	Dual Fuel Machines	
		2	Diesel Machines	
23	4360469	1	Switch, Key	
23A	2860030	2	Key, Replacement	
24	4360475	1	Switch, E-Stop	
	7020175	1	Ring, Sealing	
24A	7020176	1	Block, Contact	
25		1	Switch, Dual Axis Options:	
	4360481		Prior to S/N 0200125353	
	Use 1001102811		S/N 0200125353 to Present (was p/n 4000006 & 1810140)	
26	4750600	3	Flatwasher #6 Regular	
27	4760600	4	Lockwasher #6	
28	4761000	8	Lockwasher #10	
29			Ground Control Box Harness Options (Not Shown - See Section 7 for Breakdown):	
	4922336	1	Dual Fuel Machines (Prior to S/N 0200141689)	
	4923296	1	Dual Fuel Machines (S/N 0200141689 to S/N 0200200647)	
	1001112908	1	Dual Fuel Machines (S/N 0200200647 to Present)	
	4922378	1	Diesel Machines (Prior to S/N 0200141689)	
	4923293	1	Diesel Machines (S/N 0200141689 to Present)	
30	4922339	1	Harness, Tilt (Not Shown - See Section 7 for Breakdown) (Prior to S/N 0200125353)	
31	Not Used			
32		A/R	Component Option (S/N 0200112399 to Present Only):	
	3520193	1	Plug	
	2920026	1	Lamp, Indicator	
	2620029	1	Bulb, Light	
33	3520030	A/R	Plug (S/N 0200115167 to Present Only)	
34		A/R	Component Option (S/N 0200141689 to Present Only):	
	3520193	1	Plug	
	2920026	1	Lamp, Indicator	
	2620029	1	Bulb, Light	
35	1001102512	4	Spacer #6 (Nylon) (S/N 0200191139 to Present)	
		Ref.	GROUND CONTROL BOX INSTALLATIONS	
	0259783	Ref.	Dual Fuel Machines without Leveling Jacks (Prior to S/N 0200141689)	C
	0274657	Ref.	Dual Fuel Machines without Leveling Jacks (S/N 0200141689 to Present)	B
	0259785	Ref.	Diesel Machines without Leveling Jacks (Prior to S/N 0200141689)	C
	0274655	Ref.	Diesel Machines without Leveling Jacks (S/N 0200141689 to Present)	A
	0259784	Ref.	Dual Fuel Machines with Leveling Jacks (Prior to S/N 0200141689)	B
	0274656	Ref.	Dual Fuel Machines with Leveling Jacks (S/N 0200141689 to Present)	B

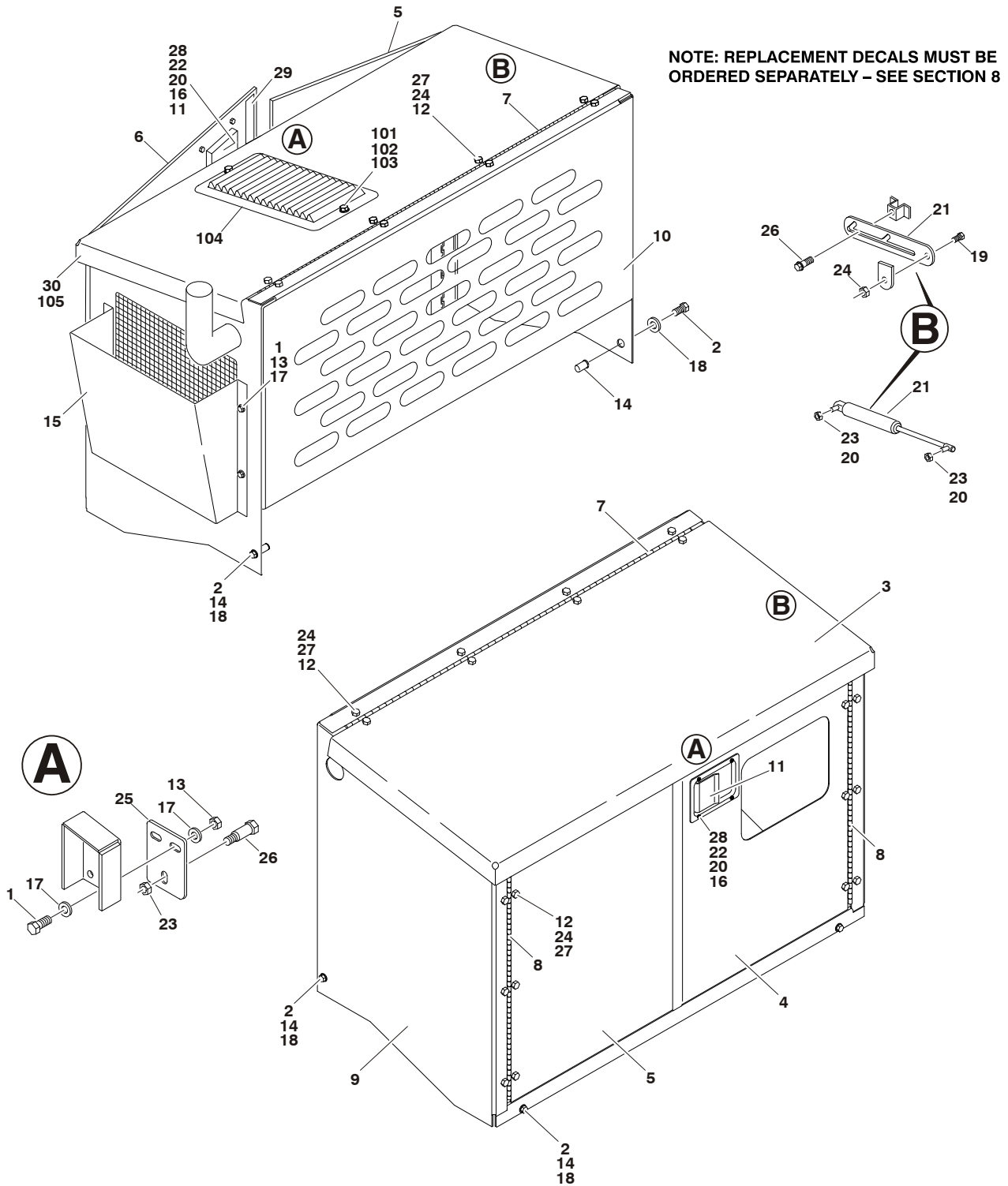
SECTION 2 GROUND CONTROLS

FIGURE 2-11. GROUND CONTROLS INSTALLATION (CONTINUED)

ITEM #	PART NUMBER	QTY.	DESCRIPTION	REV.
	0259786	Ref.	Diesel Machines with Leveling Jacks (Prior to S/N 0200141689)	B
	0274654	Ref.	Diesel Machines with Auto Leveling Jacks (S/N 0200141689 to Present)	B
101	Not Used			
102	0641404	4	Bolt 1/4in-20NC x 1/2in	
	0641406	4	Bolt 1/4in-20NC x 3/4in (Auto Level Leveling Jacks)	
103	0641406	4	Bolt 1/4in-20NC x 3/4in	
104	0902595	2	Bracket	
105	3311405	A/R	Locknut 1/4in-20NC	
106	4751400	4	Flatwasher 1/4in Regular	
	4711400	8	Flatwasher 1/4in Thin (Auto Level Leveling Jacks)	
107	4761400	4	Lockwasher 1/4in	
108		1	Ground Control Harness Options (Not Shown - See Section 7 for Breakdown):	
	4922365		Machines without Leveling Jacks (Prior to S/N 0200141689)	
	4923295		Machines without Leveling Jacks (S/N 0200141689 to Present)	
	4922436		Machines with Leveling Jacks (Prior to S/N 0200141689)	
	4923295		Machines with Leveling Jacks & Auto Level Leveling Jacks (S/N 0200141689 to Present)	
		Ref.	Note: Items 109 - 112 used on Auto Level Leveling Jacks Only.	
109	1600386	1	Controller, Module	
110	4340887	1	Mount, Module	
111	4923135	1	Harness, Analyzer (Not Shown - See Section 7 for Breakdown)	
112	4923136	1	Harness, System Interconnect (Not Shown - See Section 7 for Breakdown)	

SECTION 2 GROUND CONTROLS

FIGURE 2-12. HOODS INSTALLATION



SECTION 2 GROUND CONTROLS

FIGURE 2-12. HOODS INSTALLATION

ITEM #	PART NUMBER	QTY.	DESCRIPTION	REV.
		Ref.	HOOD INSTALLATIONS	
	Use 1001135142	Ref.	Prior to S/N 0200212108 (was p/n 0259753)	I
	1001135142	Ref.	S/N 0200212108 to Present	A
1	0641404	8	Bolt 1/4in-20NC x 1/2in	
2	0641508	8	Bolt 5/16in-18NC x 1in	
3		1	Valve Side Lid Weldment Options:	
	1780312		Prior to S/N 0200102883	
	1780323		S/N 0200102883 to Present	
4	1780313	1	Door, Plate	
5	3571985	2	Plate, Door	
6	1780315	1	Door, Plate	
7	2600264	2	Hinge, Door	
8	2600265	4	Hinge, Door	
9		1	Hood, Left Side Options:	
	2680480		Prior to S/N 0200102883	
	2680494		S/N 0200102883 to Present	
10		1	Hood, Right Side Options:	
	2680481		Prior to S/N 0200102883	
	2680493		S/N 0200102883 to Present	
11	2940126	2	Latch, Rotary Paddle	
12	0641605	40	Bolt 3/8in-16NC x 5/8in	
13	3311405	8	Locknut 1/4in-20NC	
14	2080053	10	Fastener	
15	3539690	1	Plate, Air Intake	
16	3900289	8	Screw #8-32NC x 1/2in	
17	4711400	16	Flatwasher 1/4in Thin	
18	4711500	12	Flatwasher 5/16in Thin	
19	0641608	2	Bolt 3/8in-16NC x 1in (Prior to S/N 0200102883)	
20	0100011	A/R	Compound, Locking	
21		2	Hardware Options:	
	0362937		Prior to S/N 0200102883 (Bar, Door Prop)	
	4160185		S/N 0200102883 to Present (Gas Shock)	
22	3310801	8	Nut #8-32NC	
23	3311501	A/R	Nut 5/16in-18NC	
24	3311605	A/R	Locknut 3/8in-16NC	
25	3572305	2	Plate, Striker Mount	
26	3900208	A/R	Screw, Shoulder 3/8in x 1in	
27	4711600	A/R	Flatwasher 3/8in Thin	
28	4750800	8	Flatwasher #8 Regular	
29	4420037	A/R	Tape, Insulation	
30		1	Engine Side Lid Weldment Options:	
	1780312		Prior to S/N 0200102883	
	1780323		S/N 0200102883 to S/N 0200212108	
	1001135084		S/N 0200212108 to Present (See Items 101-105 for Break-down)	
	2902213	1	Kit - Hood Sub Assembly (Includes Items: 1,3 thru 13,15 thru 17 & 20 thru 29) (Prior to S/N 0200212108)	2

SECTION 2 GROUND CONTROLS

FIGURE 2-12. HOODS INSTALLATION (CONTINUED)

ITEM #	PART NUMBER	QTY.	DESCRIPTION	REV.
	1001135084	Ref.	Engine Side Lid Weldment (S/N 0200212108 to Present)	A
101	0641406	2	Bolt 1/4in-20NC x 3/4in	
102	3311405	2	Locknut 1/4in-20NC	
103	4751400	4	Flatwasher 1/4in Regular	
104	1001094373	1	Ventilator	
105	1001134212	1	Door, Top	

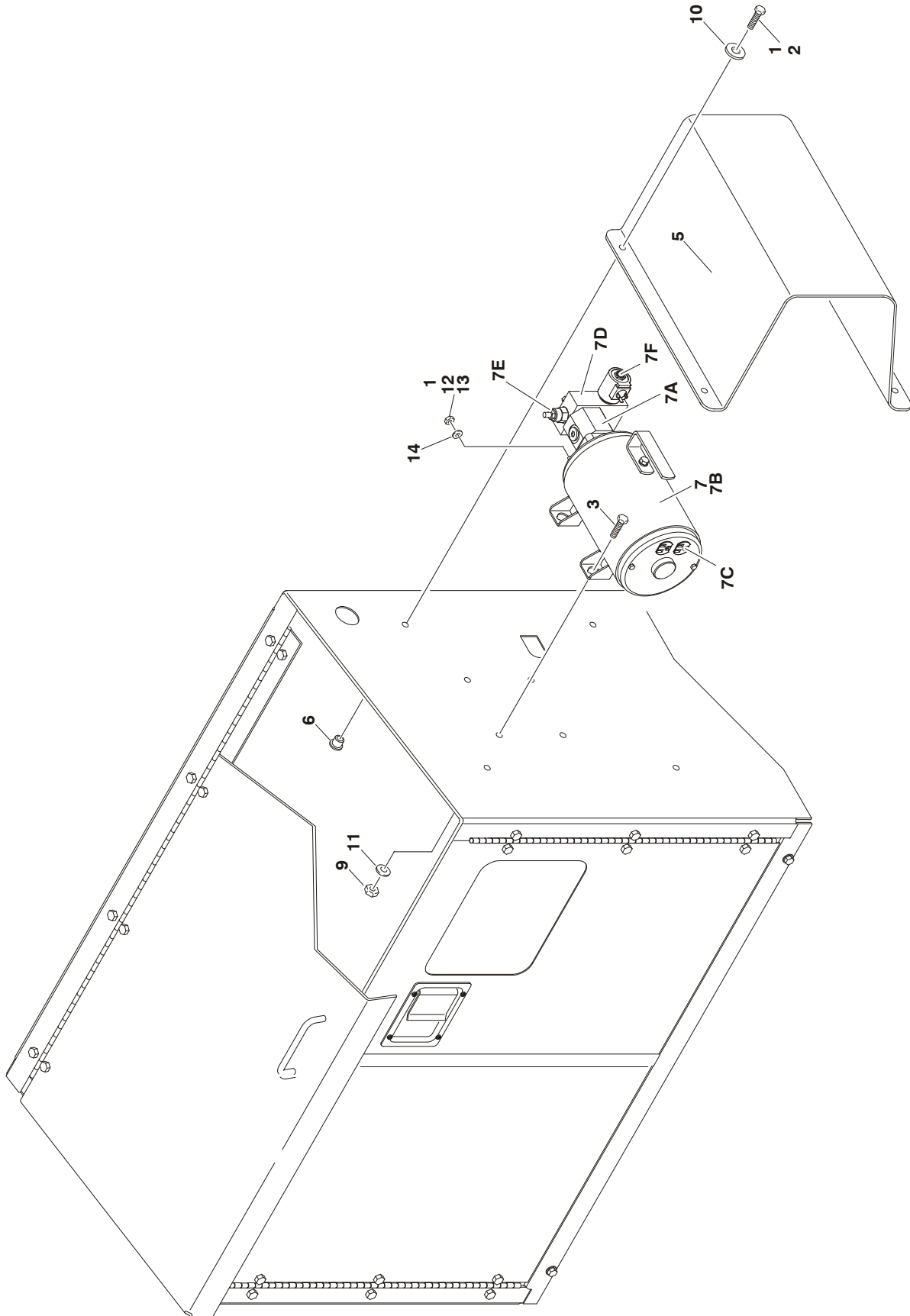
SECTION 2 GROUND CONTROLS

FIGURE 2-12. HOODS INSTALLATION (CONTINUED)

ITEM #	PART NUMBER	QTY.	DESCRIPTION	REV.

SECTION 2 GROUND CONTROLS

FIGURE 2-13. GENERATOR INSTALLATION



SECTION 2 GROUND CONTROLS

FIGURE 2-13. GENERATOR INSTALLATION

ITEM #	PART NUMBER	QTY.	DESCRIPTION	REV.
	0270350	Ref.	GENERATOR INSTALLATION	A
1	0100011	A/R	Compound, Locking	
2	0641508	4	Bolt 5/16in-18NC x 1in	
3	0641612	4	Bolt 3/8in-16NC x 1-1/2in	
4	1060882	1	Cable, AC Cord (Not Shown - See Section 7 for Breakdown)	
5	1670974	1	Cover, Generator	
6	2080053	4	Fastener 5/16in	
7	2460036	1	Generator Assembly	
7A	7023235	1	Motor, Replacement	
	Not Available	1	Gasket & Seal Kit	
	7023238	1	Seal, Shaft	
7B	7023232	1	Generator, Replacement	
	Not Available	1	Brush Kit - Bell End Assembly	
	7023233	1	Brush Kit - Motor End	
	7023236	1	Bearing	
7C	7023247	1	Receptacle	
7D	Not Available	1	Valve Assembly	
7E	7023234	1	Cartridge, Valve	
	Not Available	1	Seal Kit - 7023234 Valve	
7F	7010635	1	Cartridge, Solenoid (Less Coil)	
	2900708	1	Seal Kit - 7010635 Cartridge	
	7012943	1	Coil	
8	Not Used			
9	3311605	4	Locknut 3/8in-16NC	
10	4711500	4	Flatwasher 5/16in Thin	
11	4751600	4	Flatwasher 3/8in Regular	
12	3311401	1	Nut 1/4in-20NC	
13	3740049	1	Relay, Skirted	
14	4761400	1	Lockwasher 1/4in	
15	4922453	1	Harness 110V (Not Shown - See Section 7 for Breakdown)	

SECTION 2 GROUND CONTROLS

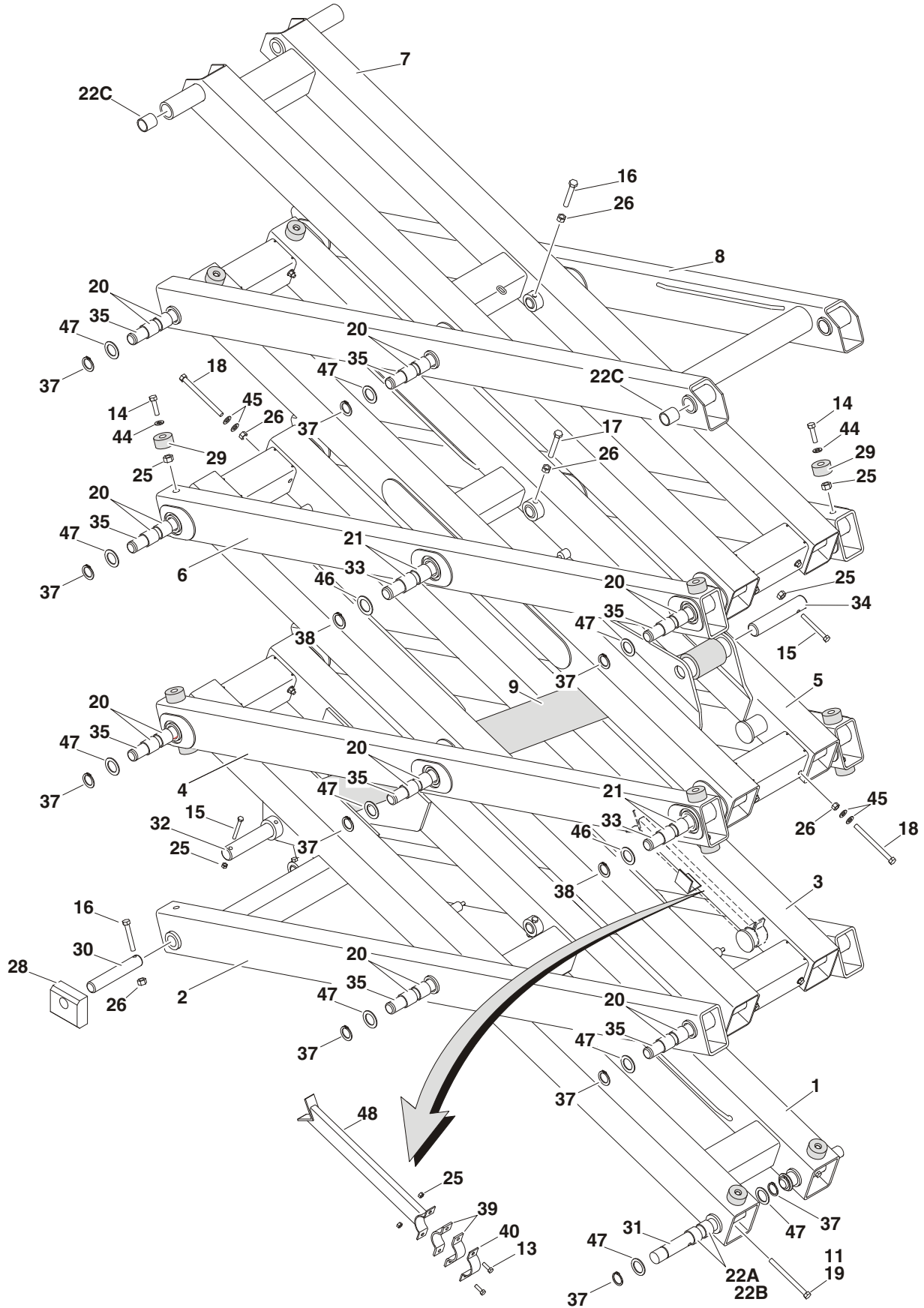
FIGURE 2-13. GENERATOR INSTALLATION (CONTINUED)

ITEM #	PART NUMBER	QTY.	DESCRIPTION	REV.

SECTION 3 SCISSOR ARMS

SECTION 3 SCISSOR ARMS

FIGURE 3-1. SCISSOR ARMS INSTALLATION



SECTION 3 SCISSOR ARMS

FIGURE 3-1. SCISSOR ARMS INSTALLATION

ITEM #	PART NUMBER	QTY.	DESCRIPTION	REV.
		Ref.	SCISSOR ARMS INSTALLATION	
	0259865	Ref.	Prior to S/N 0200112688	J
	0273069	Ref.	S/N 0200112688 to Present	A
1	0200699	1	Arm Weldment (1st Inboard)	
2	0200700	1	Arm Weldment (1st Outboard)	
3	0200701	1	Arm Weldment (2nd Inboard)	
4	0200680	2	Arm Weldment (2nd Outboard)	
5	0200702	1	Arm Weldment (3rd Inboard)	
6	0200682	2	Arm Weldment (3rd Outboard)	
7		1	Arm Weldment (4th Inboard) Options:	
	0200703		Prior to S/N 0200112688	
	0200728		S/N 0200112688 to Present	
8		1	Arm Weldment (4th Outboard) Options:	
	0200704		Prior to S/N 0200112688	
	0200729		S/N 0200112688 to Present	
9	1683887	1	Lift Cylinder Assembly (See Section 5 for Breakdown)	
10	Not Used			
11	0100011	A/R	Compound, Locking	
12	Not Used			
13	0641508	2	Bolt 5/16in-18NC x 1in	
14	0641510	16	Bolt 5/16in-18NC x 1-1/4in	
15	0681524	2	Bolt 5/16in-18NC x 3in	
16	0641620	8	Bolt 3/8in-16NC x 2-1/2in	
17	0641622	2	Bolt 3/8in-16NC x 2-3/4in	
18	0641638	12	Bolt 3/8in-16NC x 4-3/4in	
19	0681610	2	Bolt 3/8in-16NC x 1-1/4in	
20	0962220	36	Bearing, Garmax	
21	0440241	8	Bearing, Polygon	
22		A/R	Bearing, Garmax Options:	
22A	0962234	4	Prior to S/N 0200105000	
22B	0962220	4	S/N 0200105000 to S/N 0200112688	
22C	0440250	4	S/N 0200112688 to Present	
23 to 24	Not Used			
25	3311505	20	Locknut 5/16in-18NC	
26	3311605	22	Locknut 3/8in-16NC	
27	Not Used			
28	3340879	2	Pad, Slide Block	
29	3340866	16	Pad, Arm	
30	3422709	2	Pin, Bottom Slider	
31	3422838	2	Pin, Bottom Pivot	
32	3422714	1	Pin, Cylinder	
33	3422839	4	Pin, Pivot	
34	3422815	1	Pin, Cylinder	
35	3422840	16	Pin, Pivot	
36	Not Used			
37	3760387	A/R	Ring, Snap	
38	3760419	4	Ring, Snap	
39	4240125	2	Strap, Nylon	

SECTION 3 SCISSOR ARMS

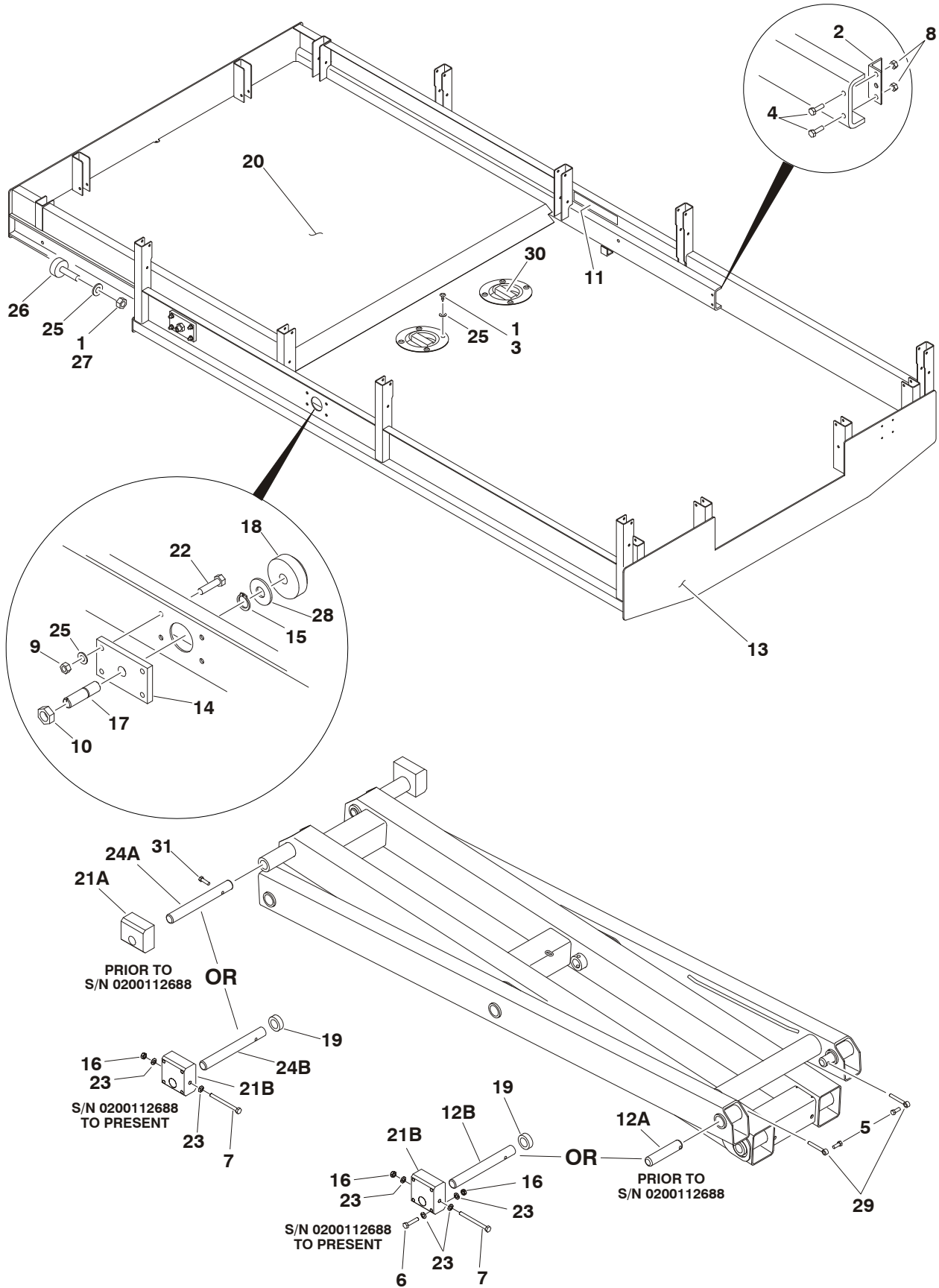
FIGURE 3-1. SCISSOR ARMS INSTALLATION (CONTINUED)

ITEM #	PART NUMBER	QTY.	DESCRIPTION	REV.
40	4240128	1	Strap, Safety Prop	
41 to 43	Not Used			
44	4711500	16	Flatwasher 5/16in Thin	
45	4711600	24	Flatwasher 3/8in Thin	
46	4740333	4	Washer	
47	4740438	A/R	Washer	
48	4846024	1	Prop, Safety	
49	Not Used			
50	3020022	A/R	Grease, White Lithium (Not Shown)	
51	4420037	A/R	Tape, Insulation (Not Shown)	
52	4922428	1	Harness, Lift Down (Not Shown - See Section 7 for Breakdown)	
	2902259	1	----- Kit, Arm (Included Items 1- 8)	

SECTION 4 PLATFORM

SECTION 4 PLATFORM

FIGURE 4-1. PLATFORM COMPONENTS INSTALLATION



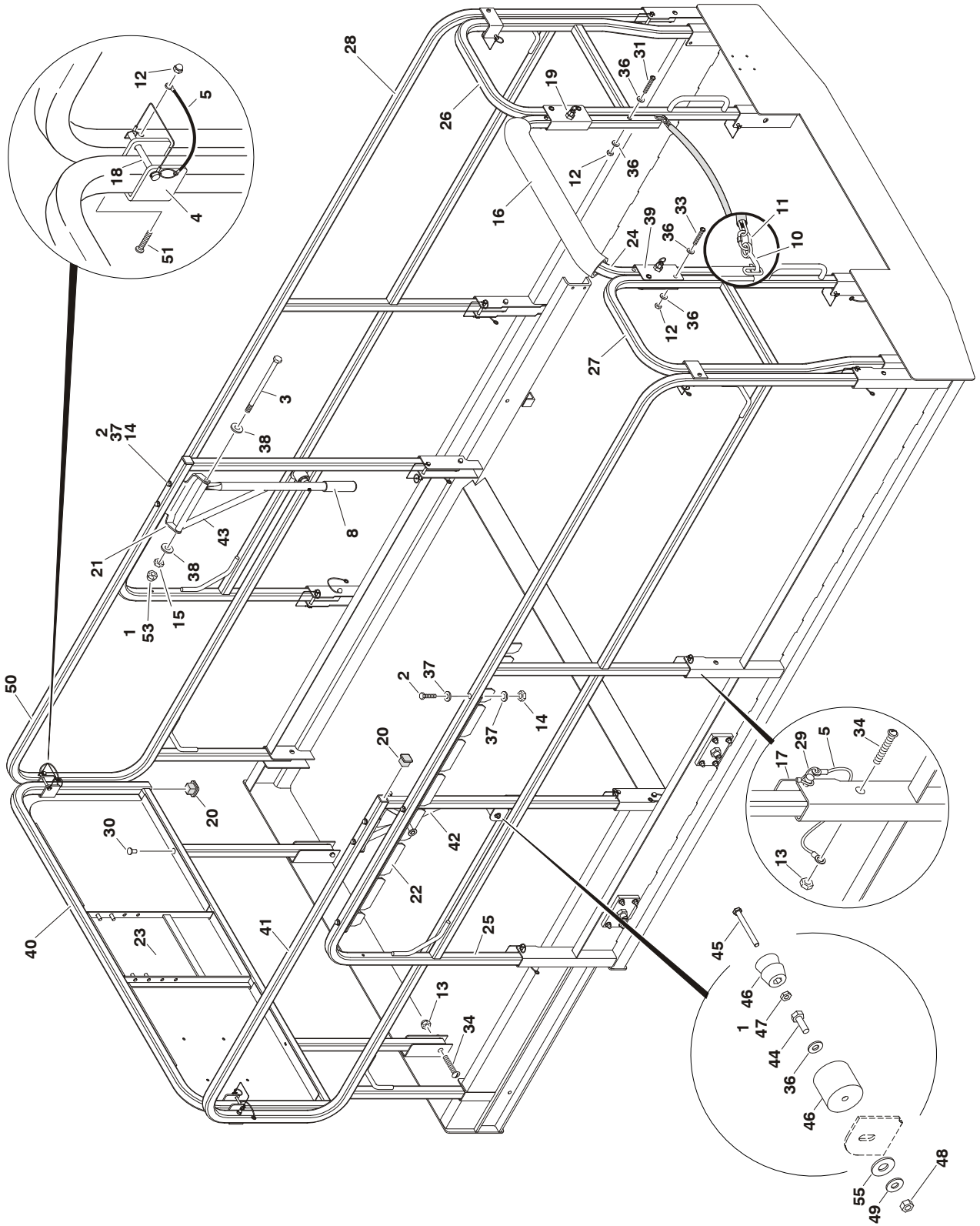
SECTION 4 PLATFORM

FIGURE 4-1. PLATFORM COMPONENTS INSTALLATION

ITEM #	PART NUMBER	QTY.	DESCRIPTION	REV.
		Ref.	PLATFORM & EXTENSION INSTALLATIONS	
	0259616	Ref.	Platform & Extension (Prior to S/N 0200112688)	F
	0273066	Ref.	Platform & Extension (S/N 0200112688 to Present)	A
	0259820	Ref.	Platform & Extension with D-Rings (Prior to S/N 0200112688)	C
	0273068	Ref.	Platform & Extension with D-Rings (S/N 0200112688 to Present)	A
1	0100011	A/R	Compound, Locking	
2	0182035	2	Angle, Extension Stop	
3	0630476	8	Screw, Button Head	
4	0681508	4	Bolt 5/16in-18NC x 1in	
5	0641608	2	Bolt 3/8in-16NC x 1in (Prior to S/N 0200112688 Only)	
6	0641622	8	Bolt 3/8in-16NC x 2-3/4in (S/N 0200112688 to Present Only)	
7	0641636	4	Bolt 3/8in-16NC x 4-1/2in (S/N 0200112688 to Present Only)	
8	3271505	4	Locknut 5/16in-18NC	
9	3311505	16	Locknut 5/16in-18NC	
10	3322202	4	Jamnut (Right Hand)	
11	1703175	2	Decal, Lanyard (Platform with D-Rings Only)	
12		2	Pin, Slide Options (Rear):	
12A	3422777		Prior to S/N 0200112688	
12B	3422962		S/N 0200112688 to Present	
13		1	Platform Weldment Options:	
	3510730		Platform (Prior to S/N 0200112688)	
	3510791		Platform (S/N 0200112688 to Present)	
	3510767		Platform with D-Rings (Prior to S/N 0200112688)	
	3510797		Platform with D-Rings (S/N 0200112688 to Present)	
14	3537619	4	Mount, Extension Roller	
15	3760348	4	Ring, Retaining	
16	3311605	12	Locknut 3/8in-16NC	
17	3841233	4	Rod, Roller Mount	
18	3860059	4	Roller, Extension	
19	4568295	4	Spacer	
20	4846143	1	Extension Weldment	
21		A/R	Block, Slide Options:	
21A	0561332	2	Prior to S/N 0200112688	
21B	0561474	4	S/N 0200112688 to Present	
22	0641510	16	Bolt 5/16in-18NC x 1-1/4in	
23	4751600	24	Flatwasher 3/8in Regular	
24		2	Pin, Slide Options (Front):	
24A	3422655		Prior to S/N 0200112688	
24B	3422962		S/N 0200112688 to Present	
25	4711500	26	Flatwasher 5/16in Thin	
26	0940049	2	Stopper, Hood	
27	3311501	2	Nut 5/16in-18NC	
28	4752200	4	Flatwasher 3/4in Regular	
29	3841143	2	Keeper 3/8in (Prior to S/N 0200112688 Only)	
30	3760321	2	Ring, Swivel D-Ring (Platform with D-Rings Only)	
31	0681610	2	Bolt 3/8in-16NC x 1-1/4in (Prior to S/N 0200112688 Only)	

SECTION 4 PLATFORM

FIGURE 4-2. HANDRAIL INSTALLATION (DRYWALL DROP GATE)



SECTION 4 PLATFORM

FIGURE 4-2. HANDRAIL INSTALLATION (DRYWALL DROP GATE)

ITEM #	PART NUMBER	QTY.	DESCRIPTION	REV.
	0259748	Ref.	STANDARD HANDRAILS INSTALLATION (DRYWALL DROP GATE)	K
1	0100011	A/R	Compound, Locking	
2	0641516	7	Bolt 5/16in-18NC x 2in	
3	0641676	2	Bolt 3/8in-16NC x 9-1/2in	
4	0901870	4	Bracket	
5	1060808	12	Cable, Lanyard	
6	1260136	2ft/.61m	Chain	
7	Not Used			
8	2560088	2	Handle	
9	2820097	2ft/.61m	Cover, Chain	
10	1001101076	1	Latch Kit, Snap (was p/n 2940064)	
11	3010088	2	Link, Repair	
12		10	Hardware Options:	
	3300151		Nut, Acorn 1/4in-20NC (Prior to S/N 0200113155)	
	2080063		Fastener, Nylon Lock 1/4in-20NC (S/N 0200113155 to Present)	
13		16	Hardware Options:	
	3300356		Nut, Acorn 3/8in-16NC (Prior to S/N 0200113155)	
	2080064		Fastener, Nylon Lock 3/8in-16NC (S/N 0200113155 to Present)	
14	3311505	7	Locknut 5/16in-18NC	
15	3311605	2	Locknut 3/8in-16NC (Prior to S/N 0200163223)	
16	3340612	18in/46cm	Pad, Cover	
17	3421565	8	Pin, Snapper	
18	3422219	4	Pin, Snapper	
19	3422369	2	Pin, Plunger	
20	3520072	4	Cap, Plug	
21	3537609	2	Plate, Pivot	
22	3571829	1	Plate, Latch	
23	3571862	1	Plate, Placard	
24	3641310	1	Rail Weldment (Rear Entry)	
25	3641342	1	Rail Weldment (Left Side)	
26	3641344	1	Rail Weldment (Right Side Entry)	
27	3641345	1	Rail Weldment (Left Side Entry)	
28	3641351	1	Rail Weldment (Right Side)	
29	3760170	12	Ring, Split	
30	3820020	4	Rivet, Pop	
31	3911426	2	Screw 1/4in-20NC x 1-5/8in	
32	Not Used			
33	3911432	4	Screw 1/4in-20NC x 2in	
34	3911532	16	Screw 5/16in-18NC x 2in	
35	Not Used			
36	4711400	8	Flatwasher 1/4in Thin	
37	4711500	14	Flatwasher 5/16in Thin	
38	4711600	4	Flatwasher 3/8in Thin	
39	4845829	2	Retainer, Rail	
40	4846120	1	Rail Weldment	
41	4846121	1	Rail Weldment (Left Side Extension)	
42	4846181	1	Handle (Left Side)	

SECTION 4 PLATFORM

FIGURE 4-2. HANDRAIL INSTALLATION (DRYWALL DROP GATE) (CONTINUED)

ITEM #	PART NUMBER	QTY.	DESCRIPTION	REV.
43	4846191	1	Handle (Right Hand)	
44	0641406	2	Bolt 1/4in-20NC x 3/4in	
45	0700619	2	Screw	
46	2940127	2	Latch, Rubber	
47	3290601	2	Nut 6mm	
48	3311405	2	Locknut 1/4in-28NF	
49	4751400	2	Flatwasher 1/4in Regular	
50	4846256	1	Rail Weldment (Right Side Extension)	
51	3911428	4	Screw 1/4in-20NC x 1-3/4in	
52	0100048	A/R	Grease, Dielectric (Not Shown) (Prior to S/N 0200163223)	
53		2	Nut, Acorn 3/8in-16NC Options: Prior to S/N 0200163223 S/N 0200163223 to Present	
	3300420			
	3300467			
54	Not Used			
55	4751600	2	Flatwasher 3/8in Regular (S/N 0200163223 to Present)	

	2902038	1	Handrail Kit - (Includes Items - 25,26,27,28,40,41 & 50)	

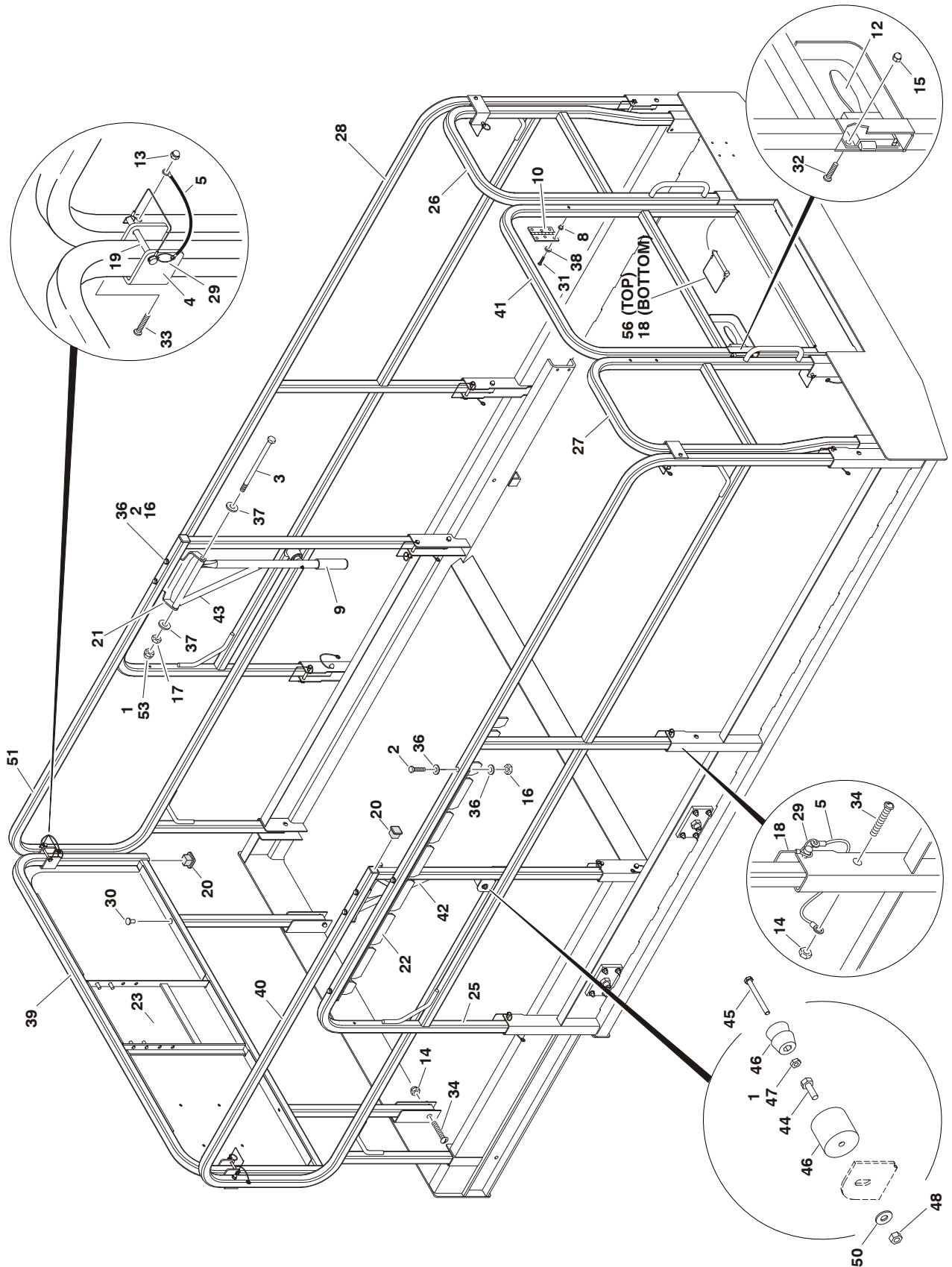
SECTION 4 PLATFORM

FIGURE 4-2. HANDRAIL INSTALLATION (DRYWALL DROP GATE) (CONTINUED)

ITEM #	PART NUMBER	QTY.	DESCRIPTION	REV.

SECTION 4 PLATFORM

FIGURE 4-3. HANDRAIL INSTALLATION (SWING GATE)



SECTION 4 PLATFORM

FIGURE 4-3. HANDRAIL INSTALLATION (SWING GATE)

ITEM #	PART NUMBER	QTY.	DESCRIPTION	REV.
	0259943	Ref.	HANDRAIL INSTALLATION (SWING GATE)	N
1	0100011	A/R	Compound, Locking	
2	0641516	7	Bolt 5/16in-18NC x 2in	
3	0641676	2	Bolt 3/8in-16NC x 9-1/2in	
4	0901870	4	Bracket	
5	1060808	9	Cable, Lanyard	
6 to 7	Not Used			
8	2080069	12	Fastener #10-32NF	
9	2560088	2	Handle	
10	2600253	2	Hinge	
11	Not Used			
12	2940074	1	Latch	
13		4	Hardware Options:	
	3300151		Nut, Acorn 1/4in-20NC (Prior to S/N 0200113155)	
	2080063		Fastener, Nylon Lock 1/4in-20NC (S/N 0200113155 to Present)	
14		16	Hardware Options:	
	3300356		Nut, Acorn 3/8in-16NC (Prior to S/N 0200113155)	
	2080064		Fastener, Nylon Lock 3/8in-16NC (S/N 0200113155 to Present)	
15	3300432	4	Nut, Acorn #10-24NC	
16	3311505	7	Locknut 5/16in-18NC	
17	3311605	2	Locknut 3/8in-16NC (Prior to S/N 0200163223)	
18	3421565	1	Pin, Snapper	
19	3422219	4	Pin, Snapper	
20	3520072	4	Cap, Plug	
21	3537609	2	Plate, Pivot	
22	3571829	1	Plate, Latch	
23	3571862	1	Plate, Placard	
24	Not Used			
25	3641342	1	Rail Weldment (Left Side)	
26	3641344	1	Rail Weldment (Right Side Entry)	
27	3641345	1	Rail Weldment (Left Side Entry)	
28	3641351	1	Rail Weldment (Right Side)	
29	3760170	9	Ring, Split	
30	3820020	4	Rivet, Pop	
31	3900267	12	Screw	
32	3911008	4	Screw	
33	3911428	4	Screw 1/4in-20NC x 1-3/4in	
34	3911532	16	Screw 5/16in-18NC x 2in	
35	Not Used			
36	4711500	14	Flatwasher 5/16in Thin	
37	4711600	4	Flatwasher 3/8in Thin	
38	4751000	12	Flatwasher #10 Regular	
39	4846120	1	Rail Weldment	
40	4846121	1	Rail Weldment (Left Side Extension)	
41	4846122	1	Gate, Self Closing	
42	4846181	1	Handle (Left Side)	
43	4846191	1	Handle (Right Hand)	
44	0641406	2	Bolt 1/4in-20NC x 3/4in	

SECTION 4 PLATFORM

FIGURE 4-3. HANDRAIL INSTALLATION (SWING GATE) (CONTINUED)

ITEM #	PART NUMBER	QTY.	DESCRIPTION	REV.
45	0700619	2	Screw	
46	2940127	2	Latch, Rubber	
47	3290601	2	Nut 6mm	
48	3311405	2	Locknut 1/4in-28NF	
49	Not Used			
50	4751400	2	Flatwasher 1/4in Regular	
51	4846256	1	Rail Weldment (Right Side Extension)	
52	0100048	A/R	Grease, Dielectric (Not Shown) (Prior to S/N 0200163223)	
53		2	Nut, Acorn 3/8in-16NC Options:	
	3300420		Prior to S/N 0200163223	
	3300467		S/N 0200163223 to Present	
54	Not Used			
55	4751600	2	Flatwasher 3/8in Regular (S/N 0200163223 to Present)	
56	1001097458	1	Pin, Snapper	

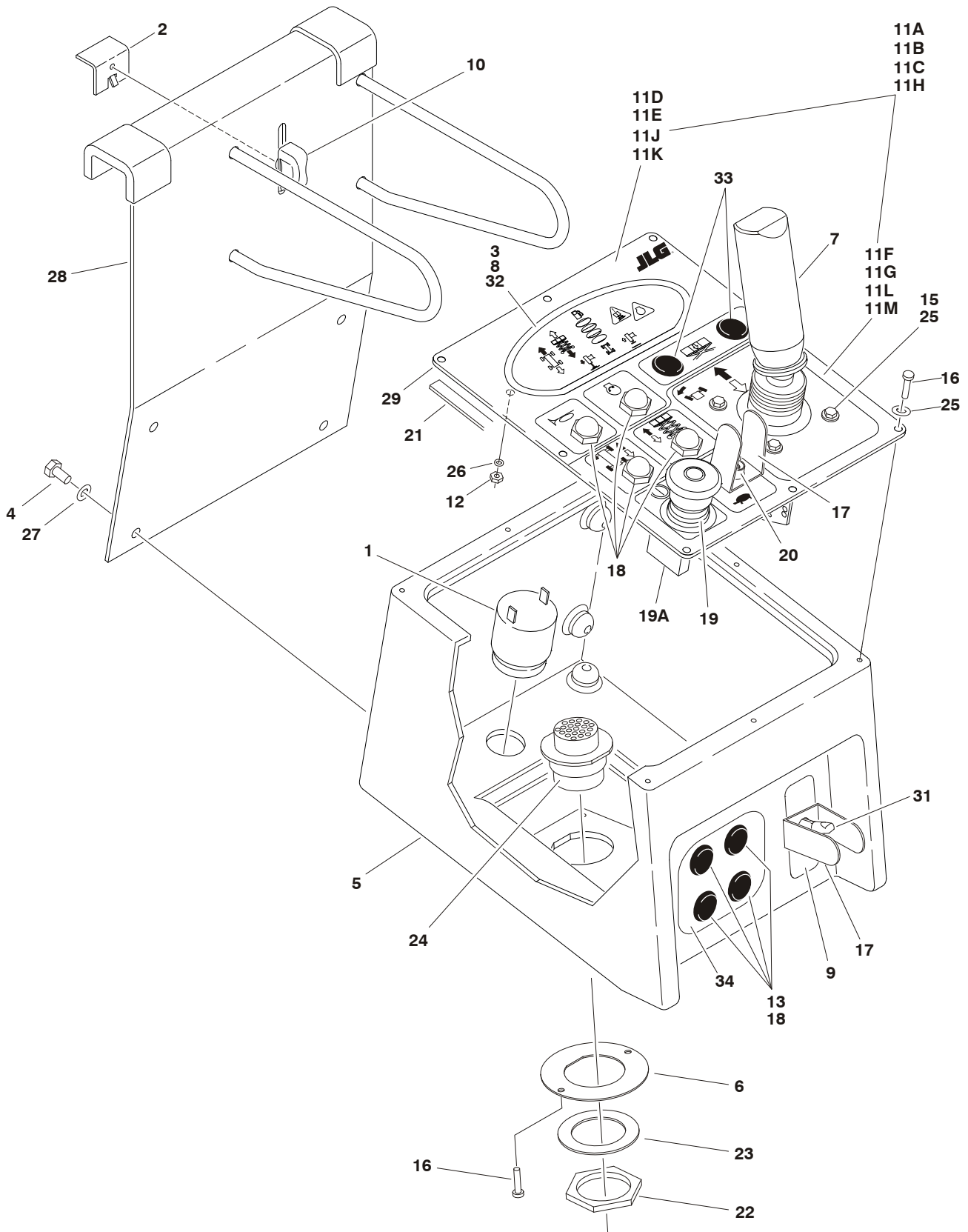
	2902039	1	Handrail Kit - (Includes Items - 25,26,27,28,39,40,41 & 51)	

FIGURE 4-3. HANDRAIL INSTALLATION (SWING GATE) (CONTINUED)

ITEM #	PART NUMBER	QTY.	DESCRIPTION	REV.

SECTION 4 PLATFORM

FIGURE 4-4. CONSOLE BOX ASSEMBLY



SECTION 4 PLATFORM

FIGURE 4-4. CONSOLE BOX ASSEMBLY

ITEM #	PART NUMBER	QTY.	DESCRIPTION	REV.
		Ref.	CONSOLE BOX ASSEMBLY OPTIONS:	
	0270198	Ref.	Diesel Machines (Prior to S/N 0200141689)	K
	1810017	Ref.	Diesel Machines (S/N 0200141689 to Present)	B
	0270451	Ref.	Diesel Machines with Leveling Jacks (Prior to S/N 0200141689)	E
	0270537	Ref.	Diesel Machines with Generator (Prior to S/N 0200141689)	F
	1810021	Ref.	Diesel Machines with Generator (S/N 0200141689 to Present)	B
	0270539	Ref.	Diesel Machines with Leveling Jacks & Generator (Prior to S/N 0200141689)	F
	1810022	Ref.	Diesel Machines with Leveling Jacks & Generator (S/N 0200141689 to Present)	B
	0270128	Ref.	Gas Dual Fuel Machines (Prior to S/N 0200141689)	J
	1810015	Ref.	Gas Dual Fuel Machines (S/N 0200141689 to S/N 0200200647)	C
	1810043	Ref.	Gas Dual Fuel Machines (S/N 0200200647 to Present)	A
	0270450	Ref.	Gas Dual Fuel Machines with Leveling Jacks (Prior to S/N 0200141689)	F
	1810016	Ref.	Gas Dual Fuel Machines with Leveling Jacks (S/N 0200141689 to S/N 0200200647)	C
	1810036	Ref.	Gas Dual Fuel Machines with Leveling Jacks (S/N 0200200647 to Present)	A
	0270536	Ref.	Gas Dual Fuel Machines with Generator (Prior to S/N 0200141689)	F
	1810019	Ref.	Gas Dual Fuel Machines with Generator (S/N 0200141689 to S/N 0200200647)	C
	1810047	Ref.	Gas Dual Fuel Machines with Generator (S/N 0200200647 to Present)	A
	0270538	Ref.	Gas Dual Fuel Machines with Leveling Jacks & Generator (Prior to S/N 0200141689)	F
	1810020	Ref.	Gas Dual Fuel Machines with Leveling Jacks & Generator (S/N 0200141689 to S/N 0200200647)	C
	1810048	Ref.	Gas Dual Fuel Machines with Leveling Jacks & Generator (S/N 0200200647 to Present)	A
1	0140011	1	Alarm	
2	0181847	1	Angle, Latch	
3	0610135	1	Board, P/C Display	
4	0641404	4	Bolt 1/4in-20NC x 1/2in	
5	0861357	1	Box, Console	
6	0902499	1	Bracket, D-Ring	
7		1	Drive/Steer Controller Assembly Options:	
	1600308		Prior to S/N 0200142023 (See Figure 4-5 for Breakdown & Note)	
	1600403		S/N 0200142023 to Present (See Figure 4-6 for Breakdown)	
8	Use Item 11C or 11D	1	Decal - Display Board (Prior to S/N 0200120329 was p/n 1704624) Note: Item 11C/11D will need trimmed to fit machines built Prior to S/N 0200112399.	
9		1	Decal - Toggle Switch Function Options:	
	1704589		Glow Plug (Diesel Machines)	
	1704588		Fuel Select (Gas Dual Fuel Machines)	
10	2560141	1	Thumbscrew	

SECTION 4 PLATFORM

FIGURE 4-4. CONSOLE BOX ASSEMBLY (CONTINUED)

ITEM #	PART NUMBER	QTY.	DESCRIPTION	REV.
11		A/R	Nameplate Options:	
11A			Prior to S/N 0200112399 Options (1 Pc Decal):	
	3252695	1	Machines without Generator	
	v3252746	1	Machines with Generator	
11B			S/N 0200112399 to S/N 0200120329 Options (1 Pc Decal):	
	Use 11D & 11F	1	Machines without Generator (Shown) (was p/n 1705711)	
	Use 11E & 11G	1	Machines with Generator (was p/n 1705712)	
11C			S/N 0200120329 to S/N 0200200647 Options (2 Pc Decal):	
11D	1705947	1	Machines without Generator (Shown) (Top Half)	
11E	1706130	1	Machines with Generator (Top Half)	
11F	1705948	1	Machines without Generator (Shown) (Bottom Half)	
11G	1705976	1	Machines with Generator (Bottom Half)	
11H			S/N 0200200647 to Present Options (2 Pc Decal):	
11J	1705947	1	Diesel Machines without Generator (Shown) (Top Half)	
	1706763	1	Gas Dual Fuel Machines without Generator (Top Half)	
11K	1706130	1	Diesel Machines with Generator (Top Half)	
	1706762	1	Gas Dual Fuel Machines with Generator (Top Half)	
11L	1705948	1	Machines without Generator (Shown) (Bottom Half)	
11M	1705976	1	Machines with Generator (Bottom Half)	
12	3310601	4	Nut #6-32NC	
13		A/R	Component Options:	
	3520080	4	Machines without Leveling Jacks or Generator (Plug)	
	4360387	4	Machines with Leveling Jacks & Generator (Push Button Switch)	
	4360387	4	Machines with Leveling Jacks Only (Push Button Switch)	
	3520080	4	Machines with Generator Only (Plug)	
	4360387	1	Machines with Auto Level Leveling Jacks (Push Button Switch)	
	3520080	3	Machines with Auto Level Leveling Jacks (Plug)	
14	Not Used			
15	3900178	4	Screw, Plastite #10-32NC x 1/2in	
16	3900265	10	Screw, Self-Tapping #8-18 x 3/4in	
17	4060802	2	Guard, Switch	
18	4360387	1	Switch, Push Button	
19	4360475	1	Switch, Emergency Stop	
	7020175	1	Ring, Sealing	
19A	7020176	1	Block, Contact	
20		A/R	Toggle Switch Options:	
	4360482	1	Machines without Leveling Jacks or Generator	
	4360331	1	Machines with Leveling Jacks & Generator	
	4360482	1	Machines with Leveling Jacks Only	
	4360331	1	Machines with Generator Only	
21	4420008	38in/1m	Tape, Insulation	
22	4460470	1	Nut, Terminal	
23	4460471	1	Lockwasher, Terminal	
24	4460480	1	Connector, Terminal	
25	4740120	12	Washer, Nylon	
26	4760600	4	Lockwasher #6	
27	4791400	4	Starwasher 1/4in	
28	4845938	1	Bracket, Box Mounting	

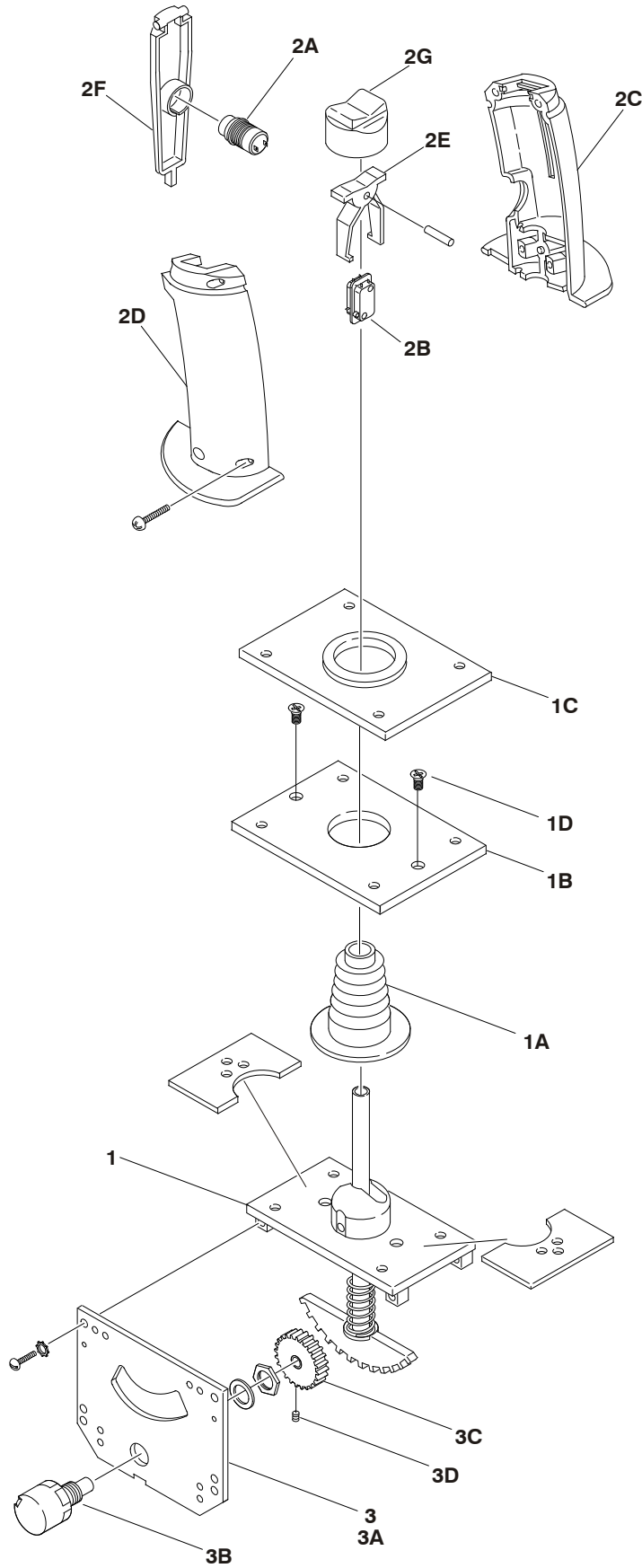
SECTION 4 PLATFORM

FIGURE 4-4. CONSOLE BOX ASSEMBLY (CONTINUED)

ITEM #	PART NUMBER	QTY.	DESCRIPTION	REV.
29	4846249	1	Lid, Box Options: Diesel Machines	
	4846249		Dual Fuel Machines Prior to S/N 0200200647	
	3380660		Dual Fuel Machines S/N 0200200647 to Present	
30		1	Platform Console Box Harness Option (Not Shown - See Section 7 for Breakdown):	
	4922391	1	Diesel without Leveling Jacks & Generator	
	4922437	1	Diesel with Leveling Jacks Only	
	4922447	1	Diesel with Generator Only	
	4922446	1	Diesel with Leveling Jacks & Generator	
	4922391	1	Gas Dual Fuel without Leveling Jacks & Generator Prior to S/N 0200200647	
	4923530	1	Gas Dual Fuel without Leveling Jacks & Generator S/N 0200200647 to Present	
	4922437	1	Gas Dual Fuel with Leveling Jacks Only Prior to S/N 0200200647	
	4923531	1	Gas Dual Fuel with Leveling Jacks Only S/N 0200200647 to Present	
	4922447	1	Gas Dual Fuel with Generator Only Prior to S/N 0200200647	
	4923532	1	Gas Dual Fuel with Generator Only S/N 0200200647 to Present	
	4922446	1	Gas Dual Fuel with Leveling Jacks & Generator Prior to S/N 0200200647	
	4923533	1	Gas Dual Fuel with Leveling Jacks & Generator S/N 0200200647 to Present	
31		1	Switch, Toggle Options:	
	4360483		Diesel Machines	
	4360482		Gas Dual Fuel Machines	
32	3340895	1	Pad, Spacer (Prior to S/N 0200115598)	
33		A/R	Components Options (S/N 0200112399 to Present Only)	
	3520193	1	Plug (S/N 0200112399 to Present Only)	
	2920026	1	Lamp, Indicator	
	2920029	1	Bulb, Light	
34	1704574	1	Decal - Outrigger Select (Machines with Leveling Jacks Only)	

SECTION 4 PLATFORM

FIGURE 4-5. DRIVE/STEER P/Q CONTROLLER ASSEMBLY (PRIOR TO S/N 0200142023)



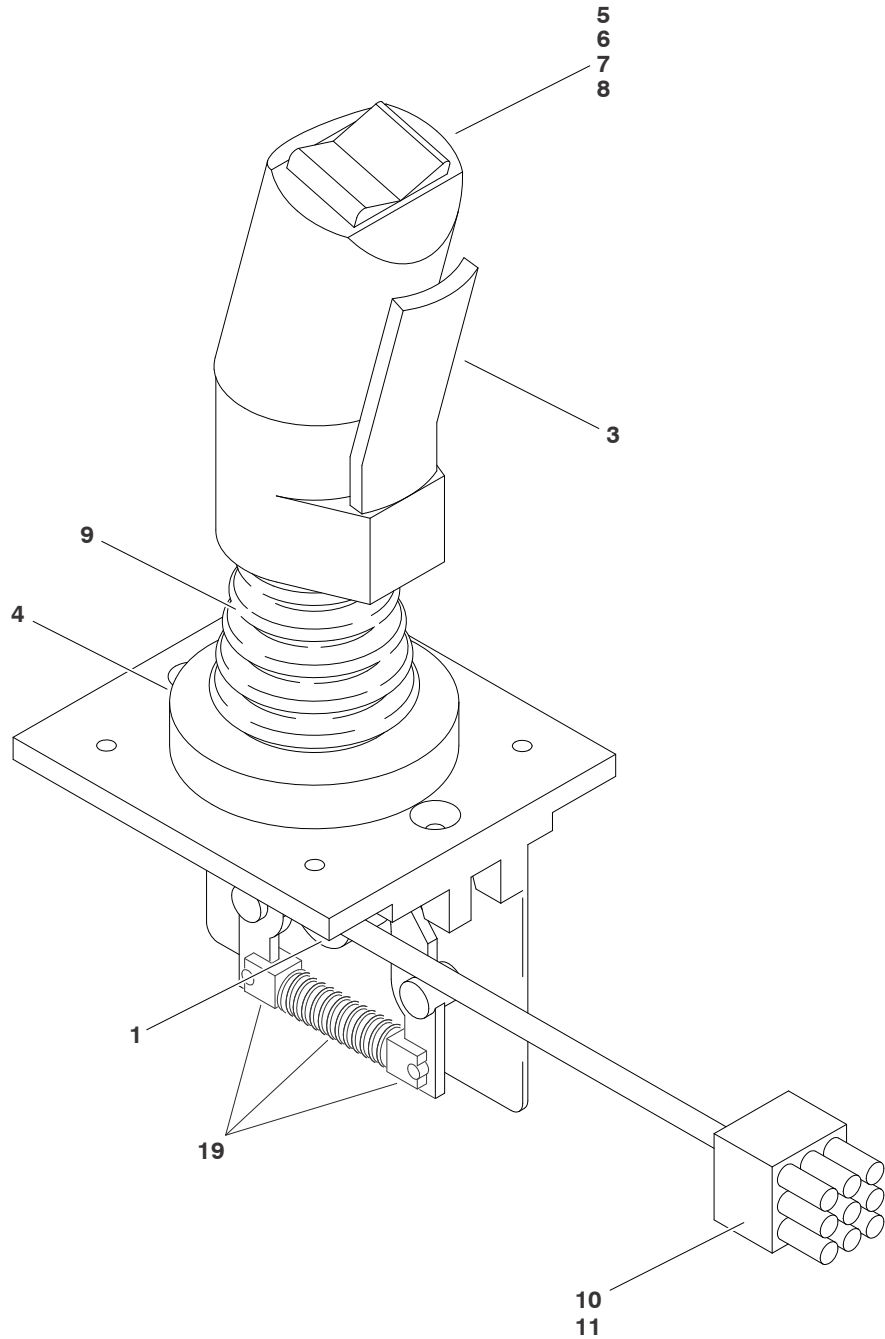
SECTION 4 PLATFORM

FIGURE 4-5. DRIVE/STEER P/Q CONTROLLER ASSEMBLY (PRIOR TO S/N 0200142023)

ITEM #	PART NUMBER	QTY.	DESCRIPTION	REV.
	1600308	Ref. Ref.	CONTROLLER ASSEMBLY Note: If your machine was equipped with a 1600308 P/Q controller, when ordering a replacement controller you must order a 1600308 P/Q controller. You can not replace the 1600308 P/Q controller with the 1600403 J.R Merritt controller.	D
	7020527	1	Mechanical Assembly	
1	7020503	1	Handle/Housing Assembly	
1A	7020520	1	Boot	
1B	7020504	1	Plate, Mounting	
1C	7020502	1	Gasket	
1D	7020528	1	Screw #10-24NC x 3/8in	
2	7020529	1	Grip Assembly	
2A	7020501	1	Push Button	
	7020530	1	Push Button w/Wires	
2B	7020500	1	Switch, Micro	
2C	Use 7020541	1	Grip - Right Half (was p/n 7020531)	
2D	Use 7020541	1	Grip - Left Half (was p/n 7020532)	
		Ref.	Note: P/N 7020541 includes both Right Side & Left Side Handle Halves.	
2E	7003791	1	Actuator, Switch	
2F	7011997	1	Trigger	
2G	7003790	1	Cap, Rubber	
3	7020533	1	Electrical Assembly	
	7020535	2	Resistor	
3A	7020509	1	Plate, Mounting - Potentiometer	
3B	7020534	1	Potentiometer	
3C	7011940	1	Gear, Pinion	
3D	7020511	1	Setscrew #6-32 x 1/8in	
	4460265	1	Plug, Male - 9 Pin (Not Shown)	
	4460268	8	Socket, Female (Not Shown)	
	4460266	1	Connector, Receptacle - 9 Pin (Not Shown - Part of Console Harness)	
	4460267	8	Pin, Male (Not Shown - Part of Console Harness)	

SECTION 4 PLATFORM

**FIGURE 4-6. DRIVE/STEER J.R. MERRITT CONTROLLER ASSEMBLY
(S/N 0200142023 TO PRESENT)**



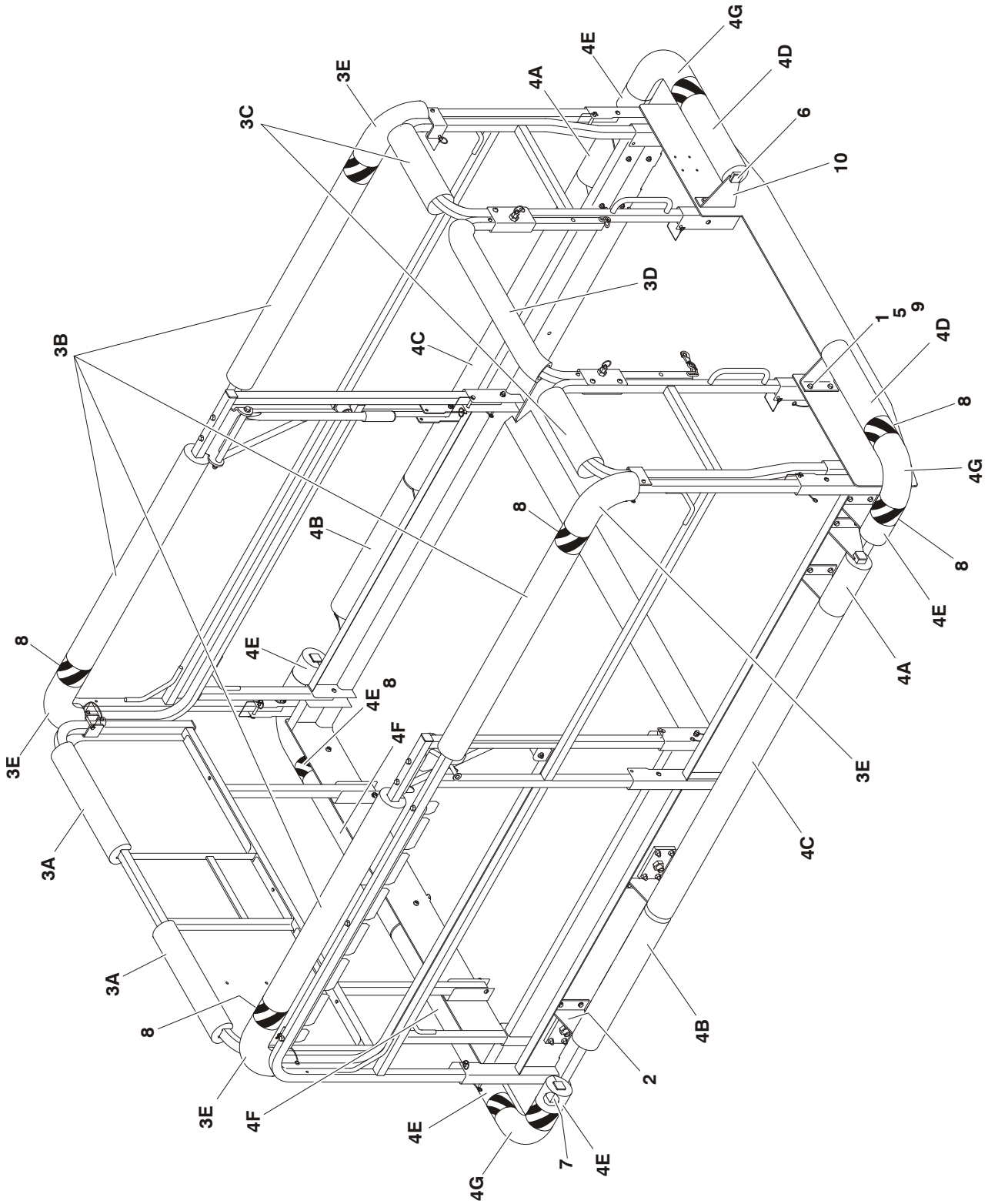
SECTION 4 PLATFORM

FIGURE 4-6. DRIVE/STEER J.R. MERRITT CONTROLLER ASSEMBLY (S/N 0200142023 TO PRESENT)

ITEM #	PART NUMBER	QTY.	DESCRIPTION	REV.
	1600403	Ref. Ref.	CONTROLLER ASSEMBLY Note: If your machine was equipped with a 1600403 J.R. Merritt controller, when ordering a replacement controller you must order a 1600403 J.R. Merritt controller. You can not replace the 1600403 J.R. Merritt controller with the 1600308 P/Q controller.	F
1	70000081	1	Potentiometer	
2	7027367	1	Switch, Push Button (Not Shown - Located Behind #3)	
3	7027765	1	Lever, Enabler	
4	7027766	1	Ring, Retaining	
5	70000082	1	Microswitch	
6	70000083	1	Coupler, Microswitch	
7	70000084	1	Cap, Rubber	
8	7027365	1	Actuator, Switch	
9	70000085	1	Boot, Rubber	
10	4460265	1	Plug, Male - 9 Pin	
11	4460226	8	Socket, Female	
12	70000685	A/R	Washer, Plastic (Not Shown)	
13	70000684	A/R	Screw, Handle (Not Shown)	
14	Not Available	A/R	Nut, Handle (Not Shown)	
15	70000683	A/R	Washer, Neoprene (Not Shown)	
16	70000686	A/R	Screw, Handle (Not Shown)	
17	4460266	1	Connector, Receptacle - 9 Pin (Not Shown - Part of Console Harness)	
18	4460267	8	Pin, Male (Not Shown - Part of Console Harness)	
19	70004194	1	Return Spring Kit	
	70003650	1	----- Handle Repair Kit (Includes handle gasket, push button, lever, front handle half, back handle half, top actuator, boot and hardware.	

SECTION 4 PLATFORM

FIGURE 4-7. PLATFORM RAIL PADDING/DECK BUMPERS INSTALLATION



SECTION 4 PLATFORM

FIGURE 4-7. PLATFORM RAIL PADDING/DECK BUMPERS INSTALLATION

ITEM #	PART NUMBER	QTY.	DESCRIPTION	REV.
	0275049	Ref.	RAIL PADDING & DECK BUMPERS INSTALLATION	B
1	0641406	30	Bolt 1/4in-20NC x 3/4in	
2	0903421	2	Weldment, Deck Side Bumper	
3	0940178	1	Kit Rail Bumper Pad	B
3A	0940149	2	Bumper Pad (2 x 17.25in/44cm)	
3B	0940094	4	Bumper Pad (4 x 38in/96.5cm)	
3C	0940094	2	Bumper Pad (2 x 12in/30cm)	
3D	0940094	1	Bumper Pad (1 x 19in/48cm)	
3E	0940092	4	Bumper Pad Corner 90°	
4	0940180	1	Kit Deck Bumper Pad	A
4A	0940094	2	Bumper Pad (7.810in/19.8cm)	
4B	0940094	2	Bumper Pad (21.688in/55.1cm)	
4C	0940094	2	Bumper Pad (51.5in/130.8cm)	
4D	0940094	2	Bumper Pad (14.5in/36.8cm)	
4E	0940094	6	Bumper Pad (3in/7.6cm)	
4F	0940094	2	Bumper Pad (26in/66cm)	
4G	0940092	4	Bumper Pad Corner 90°	
5	3311405	30	Locknut 1/4in-20NC	
6	3520072	10	Plug, Cap	
7	4341135	1	Weldment, Extension Bumper	
8	4420068	A/R	Tape, Safety	
9	4711400	60	Flatwasher 1/4in Thin	
10	4846271	2	Weldment, Rear Deck Corner Bumper	

SECTION 4 PLATFORM

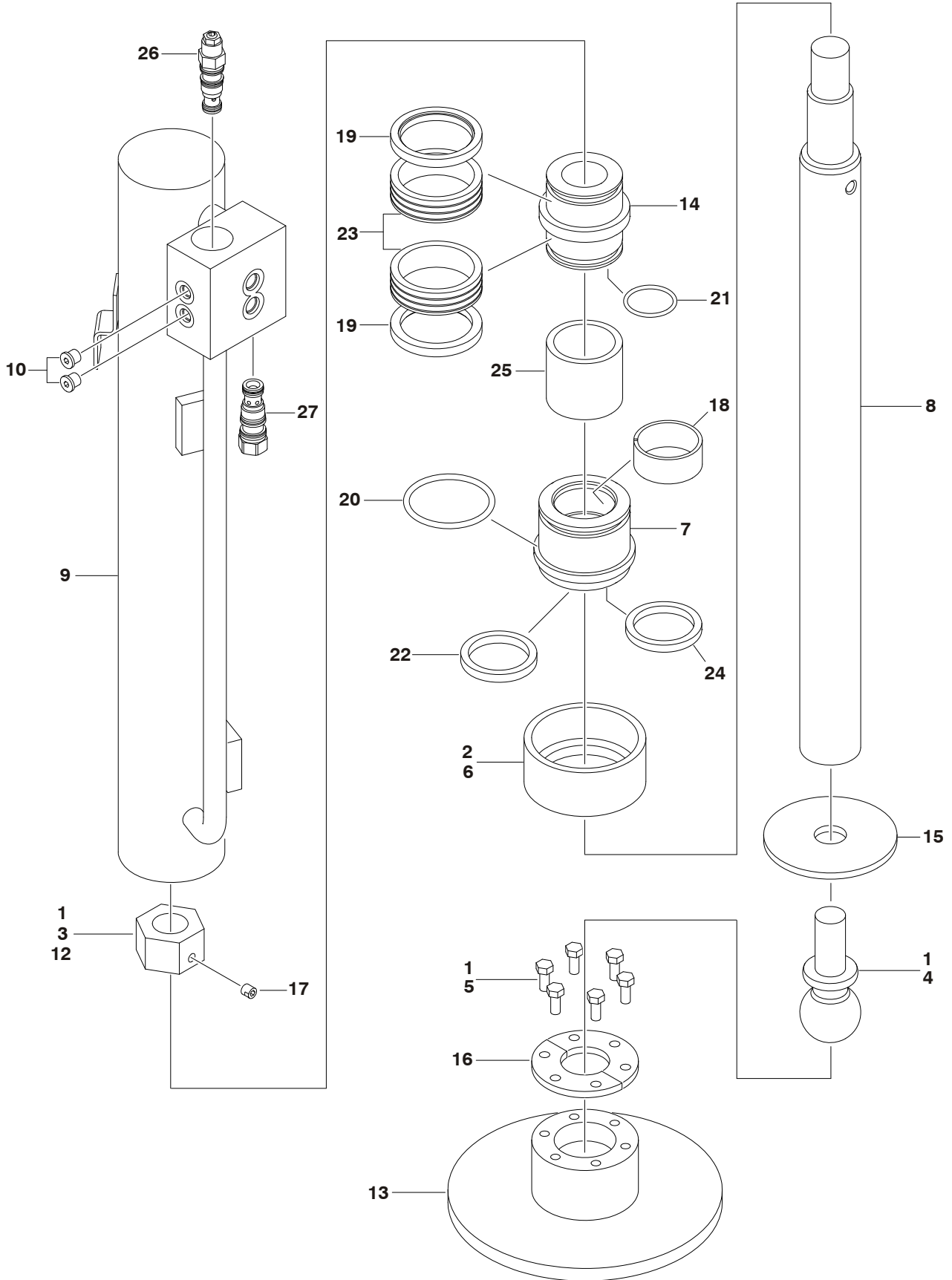
FIGURE 4-7. PLATFORM RAIL PADDING/DECK BUMPERS INSTALLATION (CONTINUED)

ITEM #	PART NUMBER	QTY.	DESCRIPTION	REV.

SECTION 5 CYLINDER

SECTION 5 CYLINDER

FIGURE 5-1. LEVELING JACKS CYLINDER ASSEMBLY (PRIOR TO S/N 0200105371)



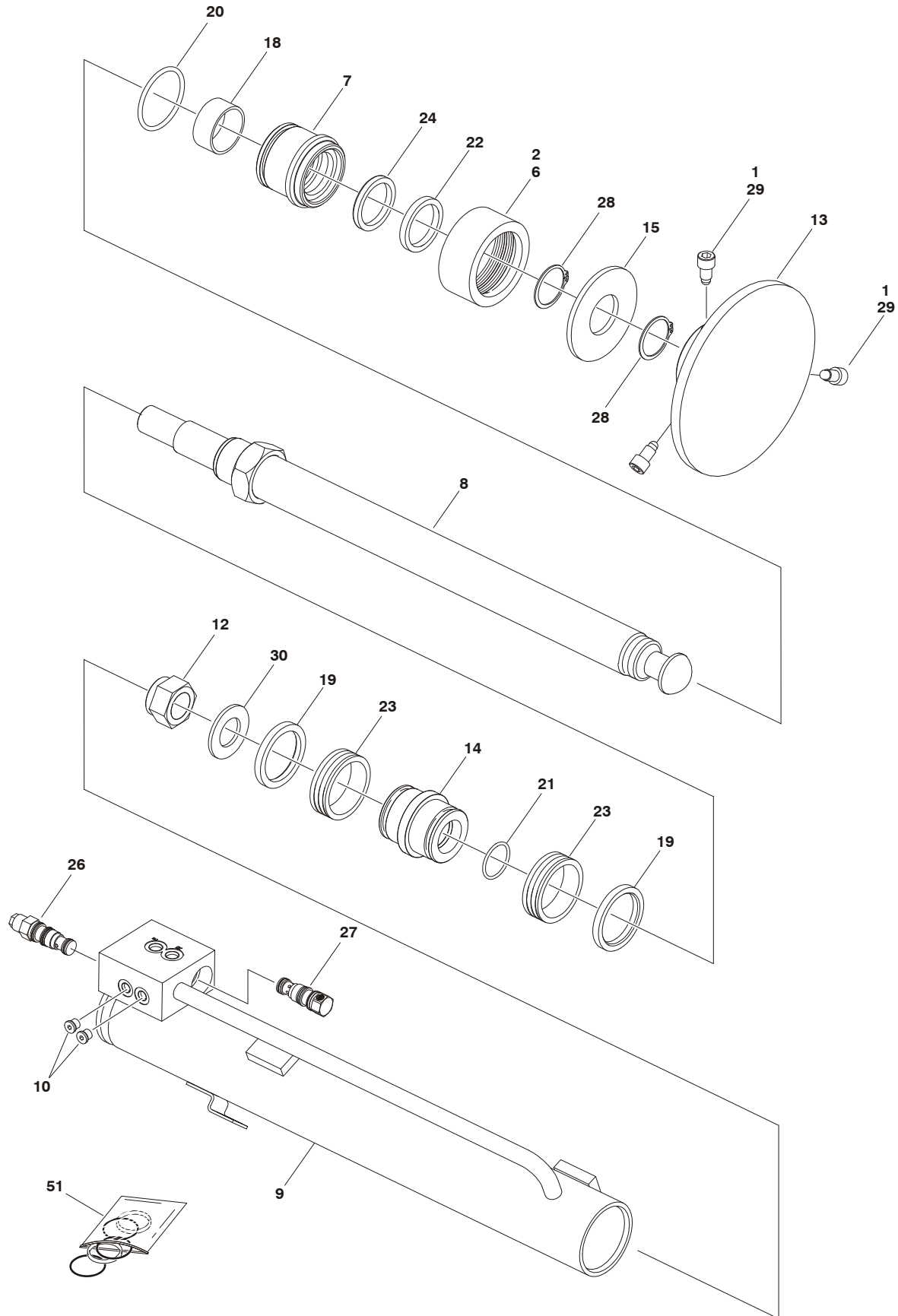
SECTION 5 CYLINDER

FIGURE 5-1. LEVELING JACKS CYLINDER ASSEMBLY (PRIOR TO S/N 0200105371)

ITEM #	PART NUMBER	QTY.	DESCRIPTION	REV.
		Ref.	Note: Original Equipment Cylinder may have been replaced with Service Replacement p/n 1684217 - see next figure. Identify p/n stamped on cylinder before ordering parts.	
	1683966	Ref.	LEVELING JACK CYLINDER ASSEMBLY (PRIOR TO S/N 0200105371)	G
1	0100011	A/R	Compound, Locking	
2	0100035	A/R	Compound, Locking0	
3	0100038	A/R	Primer, Locking	
4	0320015	1	Ball, Trailer	
5		6	Bolt Options: Bolt 5/16in-18NC x 3/4in Grade 8 (Prior to S/N 0200091549) Bolt 3/8in-16NC x 3/4in Grade 8 (S/N 0200091549 to S/N 0200105371)	
	0681506			
	0681606			
6	1120108	1	Cap	
7	1681283	1	Head	
8	1682723	1	Rod	
9	1683967	1	Barrel	
10	2220883	2	Plug	
11	Not Used			
12	3300281	1	Nut	
13		1	Pad, Jack Options: Prior to S/N 0200091549 (was p/n 3340650) S/N 0200091549 to S/N 0200105371 (was p/n 3340904)	
	Use 2902023			
	Use 2902023			
14	3480092	1	Piston	
15	3536708	1	Plate	
16		1	Ring, Retainer Options: Prior to S/N 0200091549 S/N 0200091549 to S/N 0200105371	
	3760261			
	3760453			
17	3900170	1	Screw, Locking	
18	Use Item 51	1	Ring, Wear	
19	Use Item 51	2	Guidelock	
20	Use Item 51	1	O-Ring	
21	Use Item 51	1	O-Ring	
22	Use Item 51	1	Seal, Wiper	
23	Use Item 51	2	Polyseal	
24	Use Item 51	1	Hydrolock	
25	4565647	1	Tube, Spacer	
26	4640495	1	Valve, Counter Balance	
	2900770	1	Seal Kit - 4640495 Valve	
27	4641156	1	Valve, Check	
	2900770	1	Seal Kit - 4641156 Valve	
28	4713000	1	Flatwasher 1-1/4in Thin	
29 to 50	Not Used			
51	2901941	1	Seal Kit - 1683966 Cylinders (Includes Items 18-24)	
52	2902023	1	Pad Replacement Kit - 1683966 Cylinder Only (Includes Items 5,13 & 16)	

SECTION 5 CYLINDER

FIGURE 5-2. LEVELING JACKS CYLINDER ASSEMBLY (S/N 0200105371 TO S/N 0200141689)



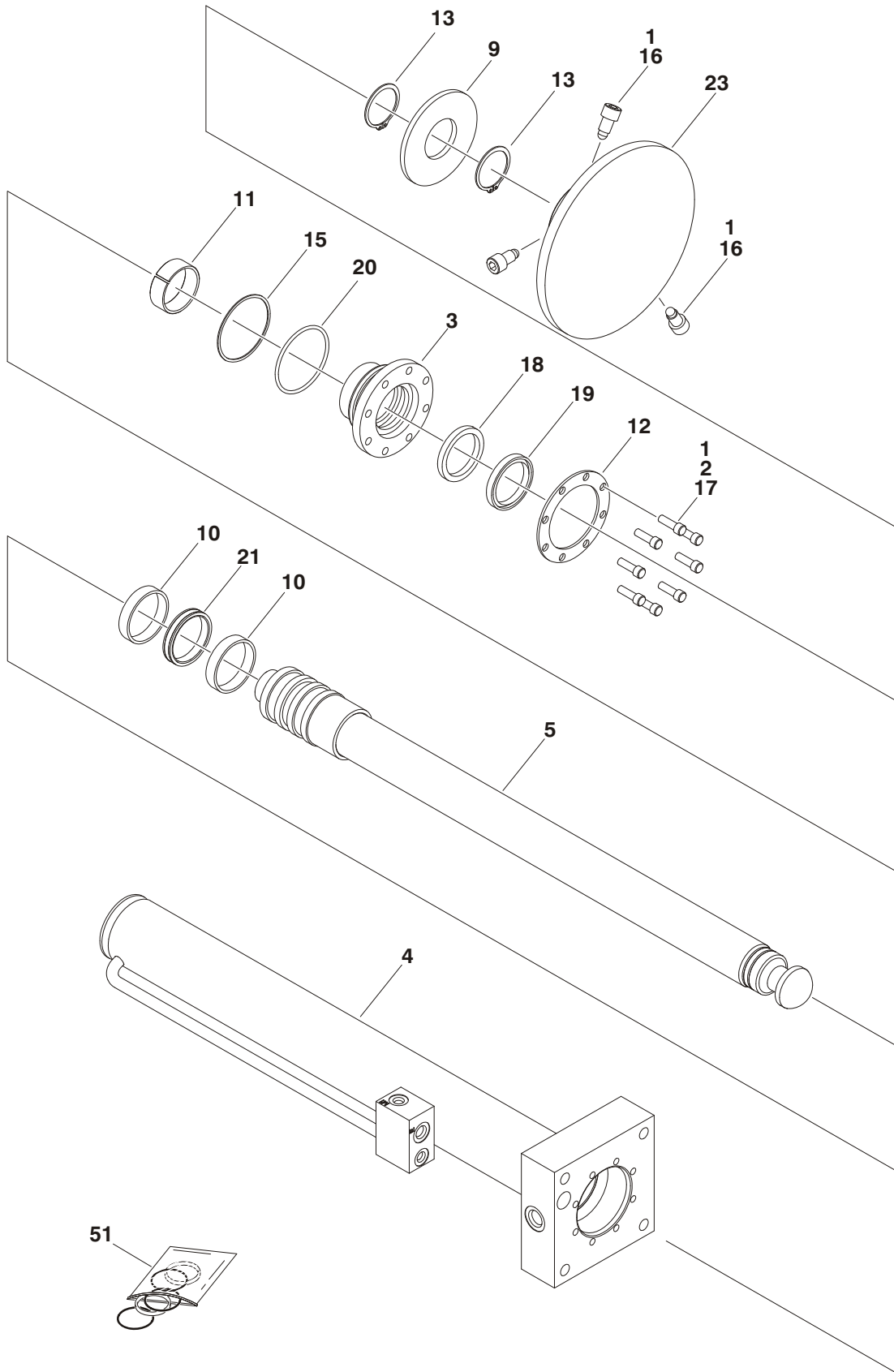
SECTION 5 CYLINDER

FIGURE 5-2. LEVELING JACKS CYLINDER ASSEMBLY (S/N 0200105371 TO S/N 0200141689)

ITEM #	PART NUMBER	QTY.	DESCRIPTION	REV.
	1684217	Ref.	LEVELING JACK CYLINDER ASSEMBLY (S/N 0200105371 TO S/N 0200141689)	B
1	0100011	A/R	Compound, Locking	
2	0100035	A/R	Compound, Locking	
3 to 5	Not Used			
6	1120108	1	Cap	
7	1681283	1	Head	
8	1684206	1	Rod	
9	1683967	1	Barrel	
10	2220883	2	Plug	
11	Not Used			
12	3300465	1	Nut	
13	4846584	1	Pad, Jack	
14	3480092	1	Piston	
15	3573513	1	Plate	
16 to 17	Not Used			
18	Use Item 51	1	Ring, Wear	
19	Use Item 51	2	Guidelock	
20	Use Item 51	1	O-Ring	
21	Use Item 51	1	O-Ring	
22	Use Item 51	1	Seal, Wiper	
23	Use Item 51	2	Polyseal	
24	Use Item 51	1	Hydrolock	
25	Not Used			
26	4640495	1	Valve, Counter Balance	
	2900770	1	Seal Kit - 4640495 Valve	
27	4641156	1	Valve, Check	
	2900770	1	Seal Kit - 4641156 Valve	
28	3760460	2	Ring, Retaining	
29	3900321	3	Screw 1/2in-13NC x 1-1/4in	
30	4713000	1	Flatwasher 1-1/4in Thin	
31 to 50	Not Used			
51	2901941	1	----- Seal Kit - 1684217 Cylinders (Includes Items 18-24)	

SECTION 5 CYLINDER

FIGURE 5-3. LEVELING JACKS CYLINDER ASSEMBLY (AUTO LEVEL) (S/N 0200141689 TO PRESENT)



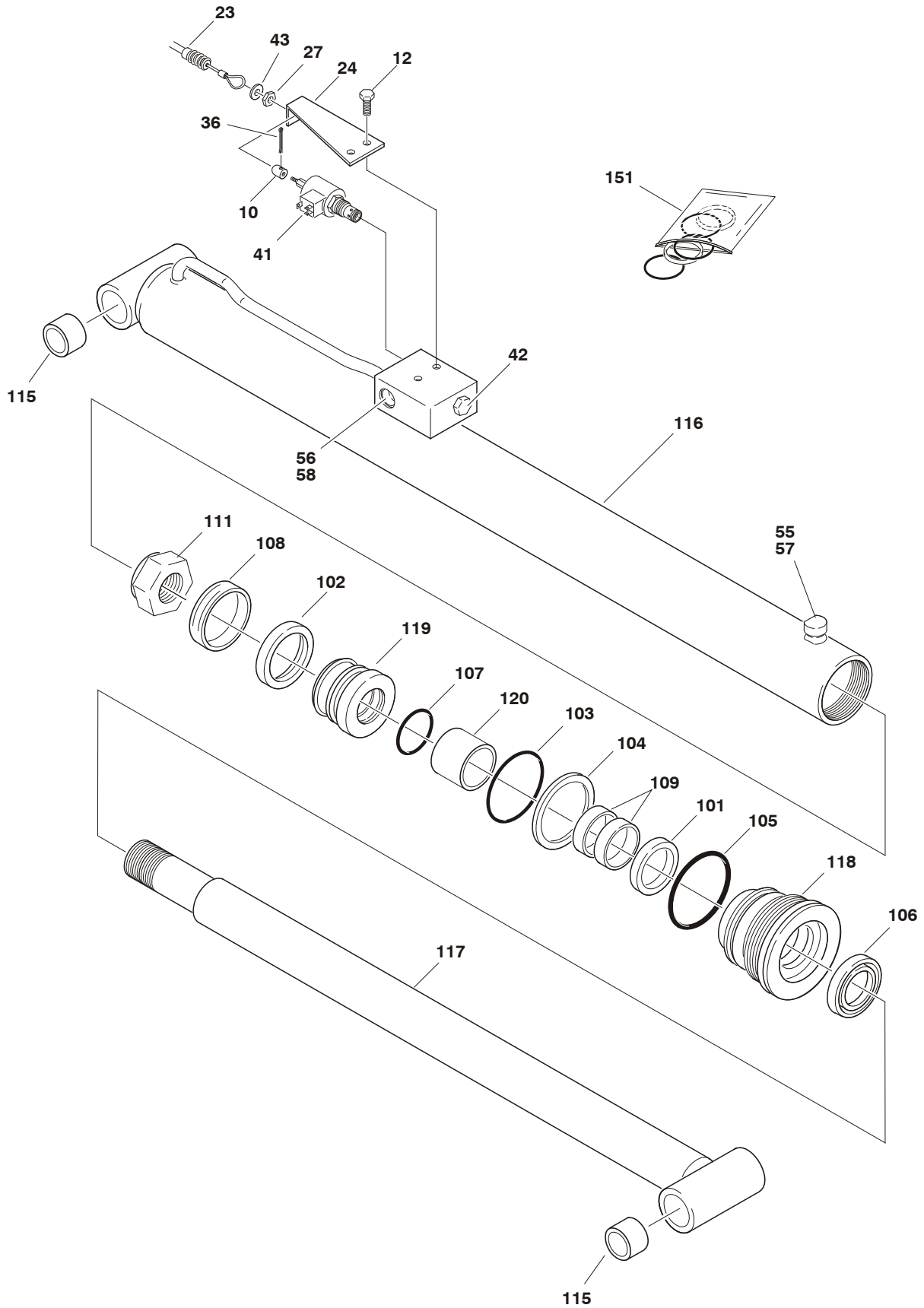
SECTION 5 CYLINDER

FIGURE 5-3. LEVELING JACKS CYLINDER ASSEMBLY (AUTO LEVEL) (S/N 0200141689 TO PRESENT)

ITEM #	PART NUMBER	QTY.	DESCRIPTION	REV.
	1684220	Ref.	LEVELING JACK CYLINDER ASSEMBLY (AUTO LEVEL)	D
1	0100011	A/R	Compound, Locking	
2	0100038	A/R	Primer, Locking	
3	1683054	1	Head	
4	1684221	1	Barrel	
5	1684223	1	Rod	
6 to 8	Not Used			
9	3573513	1	Plate	
10	Use Item 51	2	Ring, Wear	
11	Use Item 51	1	Ring, Wear	
12	3760368	1	Ring, Washer	
13	3760460	2	Ring, Retaining	
14	Not Used			
15	Use Item 51	1	O-Ring	
16	3900321	3	Screw 1/2in-13NC x 1-1/4in	
17	3931516	8	Screw 5/16in-18NC x 1in	
18	Use Item 51	1	Polyseal	
19	Use Item 51	1	Seal, Wiper	
20	3960200		Ring, Back-up	
21	3960483	1	Seal	
22	Not Used			
23	4846584	1	Pad, Jack	
24 to 50	Not Used			
51	2902182	1	----- Seal Kit - 1684217 Cylinders (Includes Items 10, 11, 15, 18 - 21)	

SECTION 5 CYLINDER

FIGURE 5-4. LIFT CYLINDER COMPONENTS ASSEMBLY



SECTION 5 CYLINDER

FIGURE 5-4. LIFT CYLINDER COMPONENTS ASSEMBLY

ITEM #	PART NUMBER	QTY.	DESCRIPTION	REV.
		Ref.	LIFT CYLINDER SUB-ASSEMBLY	
	0259865	Ref.	Prior to S/N 0200112688	J
	0273069	Ref.	S/N 0200112688 to Present	A
1 to 9	Not Used			
10	0080228	1	Adaptor, Cable	
11	Not Used			
12	0641506	2	Bolt 5/16in-18NC x 3/4in	
13 to 22	Not Used			
23	1060818	1	Cable, Manual Descent	
24	0902421	1	Bracket, Cable Mounting	
25 to 26	Not Used			
27	3321402	2	Jamnut 1/4in-28NF	
28 to 35	Not Used			
36	3450405	1	Pin, Cotter	
37 to 40	Not Used			
41	4641172	1	Valve, Solenoid	
42	4641104	1	Valve, Restrictor/Check	
43	4711400	2	Flatwasher 1/4in Thin	
44 to 54	Not Used			
55	2220371	1	Fitting	
56	2220473	1	Fitting	
57	2752622	1	Hose 3/8in (168in Long)	
58	2753398	1	Hose 3/8in (134in Long)	
		Ref.	LIFT CYLINDER ASSEMBLY	
	1683887	Ref.	Standard Machines	B
	9884263	Ref.	Machines with 20ft Limit	B
101	Use Item 151	1	Seal	
102	Use Item 151	1	Seal	
103	Use Item 151	1	O-Ring	
104	Use Item 151	1	Back-Up	
105	Use Item 151	1	O-Ring	
106	Use Item 151	1	Wiper	
107	Use Item 151	1	O-Ring	
108	Use Item 151	1	Ring, Wear	
109	Use Item 151	2	Ring, Wear	
110	Not Used			
111	7003226	1	Locknut	
112 to 114	Not Required			
115	0962012	4	Bushing	
116	7019882	1	Barrel	
117	7019881	1	Rod	
118	7017387	1	Head	
119	7019880	1	Piston	
120		1	Spacer Options:	
	7019879		Standard Machines	
	4220273		Machines with 20ft Limit	

SECTION 5 CYLINDER

FIGURE 5-4. LIFT CYLINDER COMPONENTS ASSEMBLY (CONTINUED)

ITEM #	PART NUMBER	QTY.	DESCRIPTION	REV.
121 to 150	Not Used			
151	7019878	1	----- Seal Kit (Includes Items 101 to 109)	

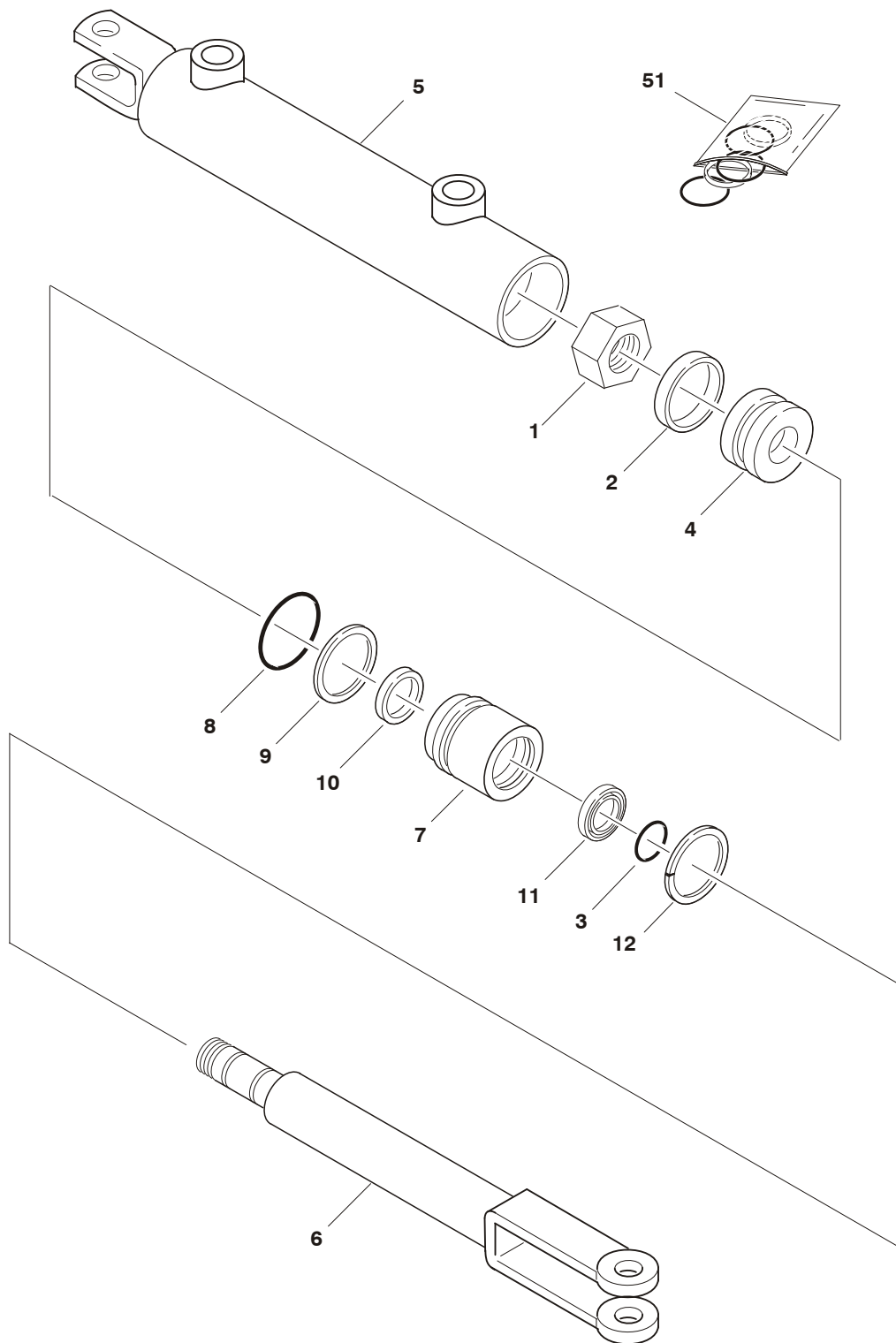
SECTION 5 CYLINDER

FIGURE 5-4. LIFT CYLINDER COMPONENTS ASSEMBLY (CONTINUED)

ITEM #	PART NUMBER	QTY.	DESCRIPTION	REV.

SECTION 5 CYLINDER

FIGURE 5-5. STEER CYLINDER ASSEMBLY



SECTION 5 CYLINDER

FIGURE 5-5. STEER CYLINDER ASSEMBLY

ITEM #	PART NUMBER	QTY.	DESCRIPTION	REV.
	1683957	Ref.	STEER CYLINDER ASSEMBLY	B
1	7001626	1	Locknut 7/8in-14NC	
2	Use Item 51	1	Seal	
3	Use Item 51	1	O-Ring	
4	7017291	1	Piston	
5	7023005	1	Barrel	
6	7023006	1	Rod	
7	7017294	1	Guide	
8	Use Item 51	1	O-Ring	
9	Use Item 51	1	Back-Up	
10	Use Item 51	1	Ring, Wear	
11	Use Item 51	1	Wiper	
12	Use Item 51	1	Ring, Retaining	
13 to 50	Not Used			
51	7017290	1	----- Seal Kit (Includes Items 2, 3 & 8 to 12)	

SECTION 5 CYLINDER

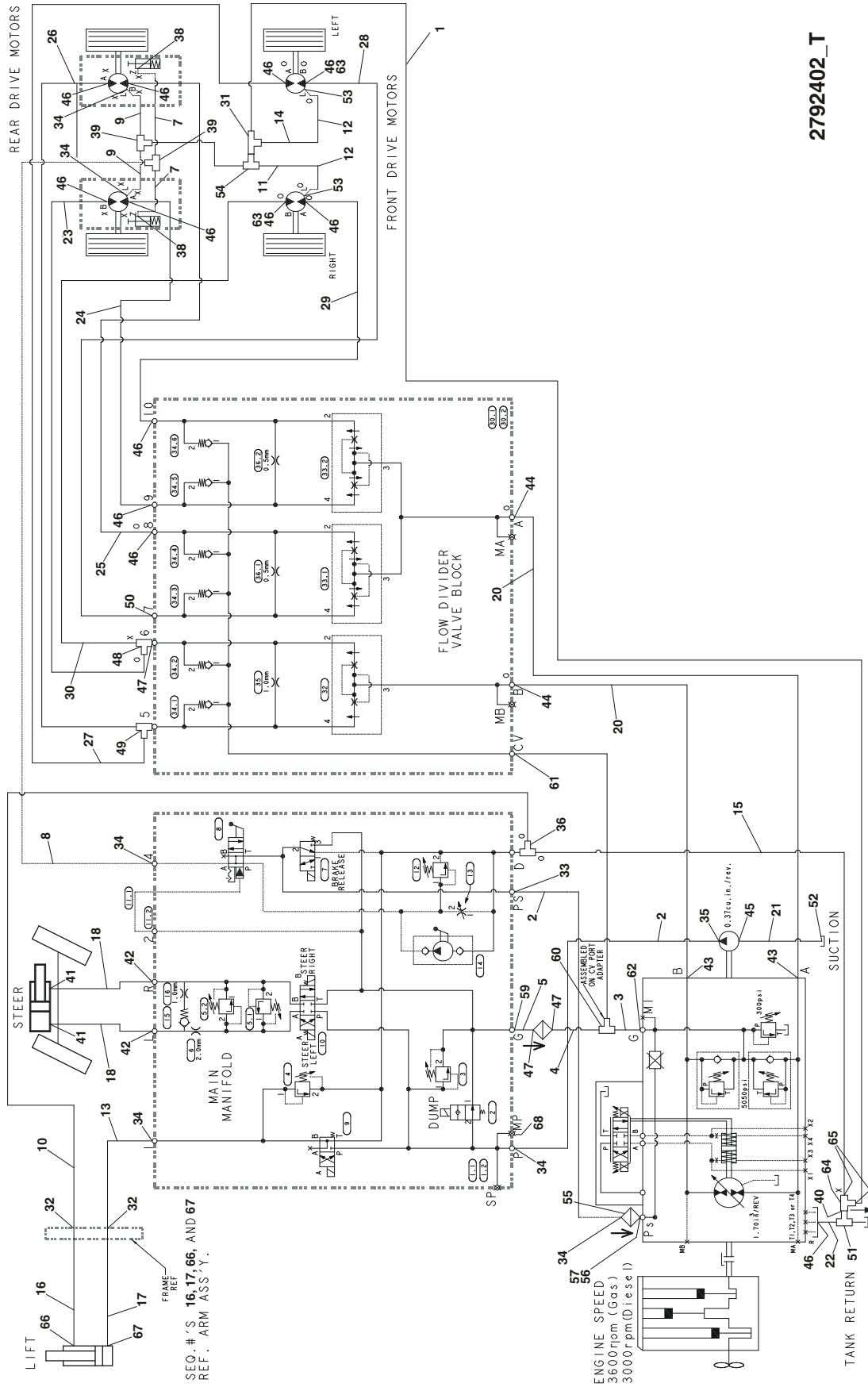
FIGURE 5-5. STEER CYLINDER ASSEMBLY (CONTINUED)

ITEM #	PART NUMBER	QTY.	DESCRIPTION	REV.

SECTION 6 HYDRAULIC

SECTION 6 HYDRAULIC

FIGURE 6-1. DRIVE HYDRAULIC DIAGRAM (STANDARD) (PRIOR TO S/N 0200141689)



2792402_T

SECTION 6 HYDRAULIC

FIGURE 6-1. DRIVE HYDRAULIC DIAGRAM (STANDARD) (PRIOR TO S/N 0200141689)

ITEM #	PART NUMBER	QTY.	DESCRIPTION	REV.
	2792402	Ref.	HYDRAULIC DIAGRAM	T
1	2752478	1	Hose	
2	2752613	A/R	Hose	
3		1	Hose Options:	
	2753384		Prior to S/N 0200080571	
	2753503		S/N 0200080571 to S/N 0200141689	
4		1	Hose Options:	
	2753385		Prior to S/N 0200080571	
	2753504		S/N 0200080571 to S/N 0200141689	
5		1	Hose Options:	
	2753386		Prior to S/N 0200080571	
	2753505		S/N 0200080571 to S/N 0200141689	
6	2753387	1	Hose (Prior to S/N 0200111085 Only)	
7	2753388	2	Hose	
8	2752489	1	Hose	
9	2753389	2	Hose	
10	2752469	1	Hose	
11	2753394	1	Hose	
12	2753395	2	Hose	
13	2753396	1	Hose	
14	Not Used			
15	2753397	1	Hose	
16	2752622	A/R	Hose	
17	2753398	A/R	Hose	
18	2753390	2	Hose	
19	2753391	1	Hose (Prior to S/N 0200111085 Only)	
20	2753392	A/R	Hose	
21	2753393	1	Hose	
22	2753375	1	Hose	
23	2753376	1	Hose	
24	2753377	1	Hose	
25	2753378	1	Hose	
26	2753379	1	Hose	
27	2753380	1	Hose	
28	2753381	1	Hose	
29	2753382	1	Hose	
30	2753383	1	Hose	
31		1	Fitting Options:	
	2220827		Prior to S/N 0200093075	
	2220635		S/N 0200093075 to S/N 0200093359	
	2220490		S/N 0200093359 to S/N 0200141689	
32	2230024	2	Fitting, Straight	
33	2220603	2	Fitting, Straight	
34	2220371	A/R	Fitting, Straight	
35	2220372	1	Fitting, Straight	
36	2220899	1	Fitting, Tee	
37	2221048	2	Fitting, 90° (Prior to S/N 0200080571)	

SECTION 6 HYDRAULIC

**FIGURE 6-1. DRIVE HYDRAULIC DIAGRAM (STANDARD) (PRIOR TO S/N 0200141689)
(CONTINUED)**

ITEM #	PART NUMBER	QTY.	DESCRIPTION	REV.
38	2220473	A/R	Fitting, 90°	
39	2220490	2	Fitting, Tee	
40		1	Fitting, Reducer	
	2220621		Prior to S/N 0200093075	
	2220622		S/N 0200093075 to S/N 0200141689	
41	2220472	2	Fitting, 90°	
42	2220415	2	Fitting, Straight	
43	2220578	2	Fitting, 90°	
44	2220451	2	Fitting, Straight	
45	2221025	1	Fitting, Straight	
46	2220947	A/R	Fitting, Straight	
47	2220906	3	Fitting, 90°	
48	2220948	1	Fitting, Tee	
49	2221049	1	Fitting, Tee	
50	2221036	1	Fitting, 90°	
51	2220738	1	Fitting, Tee	
52	2220377	1	Fitting, Straight	
53	2220998	2	Fitting, Straight	
54		1	Fitting, Tee Options:	
	2220579		Prior to S/N 0200111085	
	2220635		S/N 0200111085 to S/N 0200141689	
55	2120172	1	Filter, In-Line	
56	2220501	1	Fitting, 45°	
57	2220919	1	Fitting, Straight	
58		A/R	Fitting, Straight Options:	
	2220947	8	Prior to S/N 0200078291	
	2220865	8	S/N 0200078291 to S/N 0200111085	
	Not Required	0	S/N 0200111085 to S/N 0200141689	
59	2220600	1	Fitting, Straight (S/N 0200080571 to S/N 0200141689)	
60	2221076	1	Fitting, Tee (S/N 0200080571 to S/N 0200141689)	
61	2221075	1	Fitting, Straight (S/N 0200080571 to S/N 0200141689)	
62	2220852	1	Fitting, Straight (S/N 0200080571 to S/N 0200141689)	
63	0100075	A/R	Compound, Locking	
64	2220385	1	Fitting, Swivel (S/N 0200080571 to S/N 0200141689)	
65	2220619	2	Fitting, Reducer (S/N 0200080571 to S/N 0200141689)	
66	2220371	A/R	Fitting, Straight (S/N 0200080571 to S/N 0200141689)	
67	2220473	A/R	Fitting, 90° (S/N 0200105000 to S/N 0200141689)	
68	2221086	1	Fitting, Diagnostic Test Port Coupling	

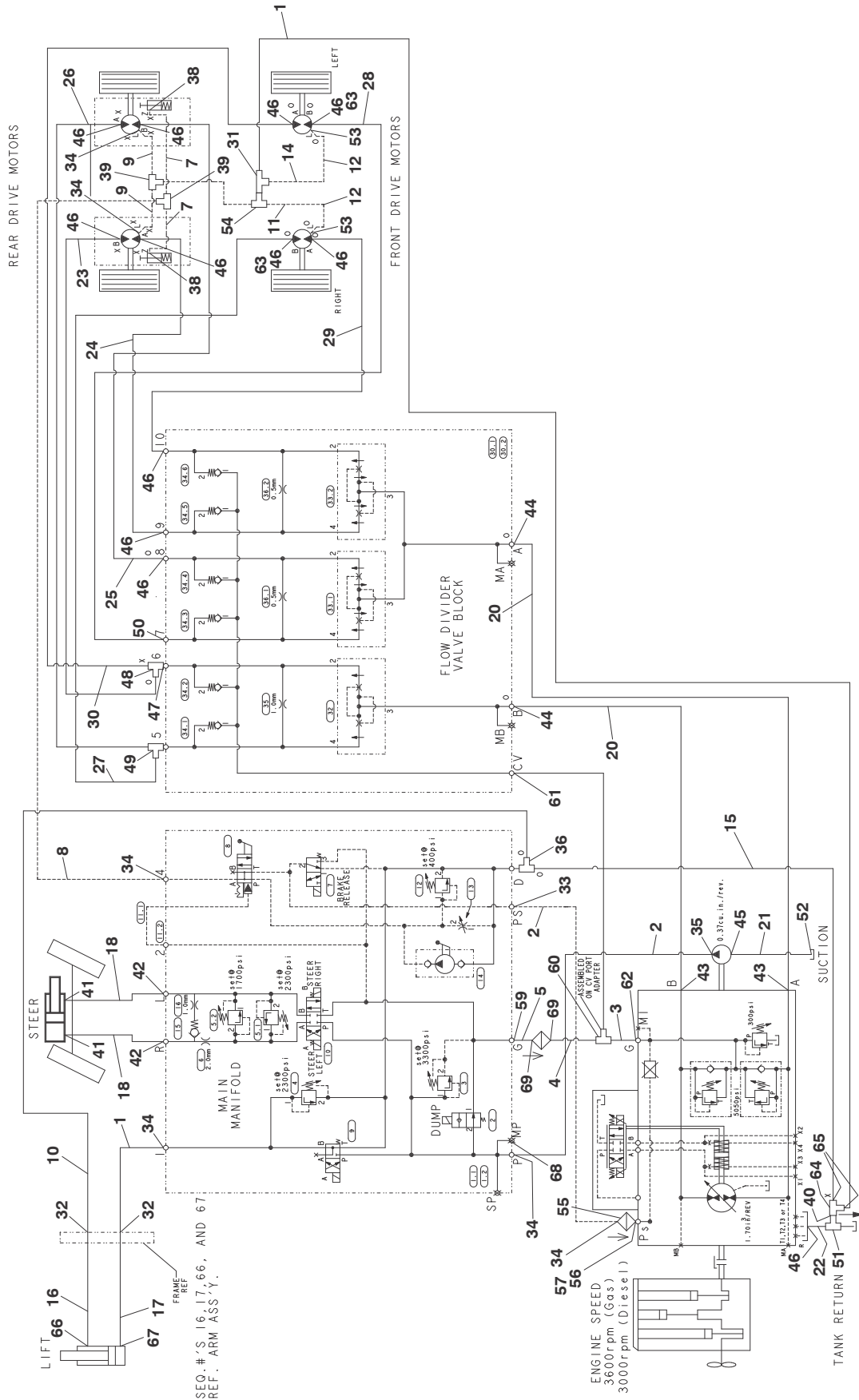
SECTION 6 HYDRAULIC

**FIGURE 6-1. DRIVE HYDRAULIC DIAGRAM (STANDARD) (PRIOR TO S/N 0200141689)
(CONTINUED)**

ITEM #	PART NUMBER	QTY.	DESCRIPTION	REV.

SECTION 6 HYDRAULIC

FIGURE 6-2. DRIVE HYDRAULIC DIAGRAM (STANDARD) (S/N 0200141689 TO PRESENT)



SECTION 6 HYDRAULIC

FIGURE 6-2. DRIVE HYDRAULIC DIAGRAM (STANDARD) (S/N 0200141689 TO PRESENT)

ITEM #	PART NUMBER	QTY.	DESCRIPTION	REV.
	2792717	Ref.	HYDRAULIC DIAGRAM	D
1	2752478	2	Hose	
2	2752613	A/R	Hose	
3	2753503	1	Hose	
4	2753504	1	Hose	
5	2753505	1	Hose	
6	Not Used			
7	2753388	2	Hose	
8	2752489	1	Hose	
9	2753389	2	Hose	
10	2752469	1	Hose	
11	2753394	1	Hose	
12	2753395	2	Hose	
13 to14	Not Used			
15	2753397	1	Hose	
16	2752622	A/R	Hose	
17	2753398	A/R	Hose	
18	2753390	2	Hose	
19	Not Used			
20	2753392	A/R	Hose	
21	2753393	1	Hose	
22	2753375	1	Hose	
23	2753376	1	Hose	
24	2753377	1	Hose	
25	2753378	1	Hose	
26	2753379	1	Hose	
27	2753380	1	Hose (Note: On Machines Prior to S/N 0200165343, this hose runs to Left Front Drive Motor. On Machines S/N 0200165343 to Present, this hose runs to Right Front Drive Motor as shown.)	
28	2753381	1	Hose	
29	2753382	1	Hose	
30		1	Hose Options: (Note: On Machines Prior to S/N 0200165343, this hose runs to Right Front Drive Motor. On Machines S/N 0200165343 to Present, this hose runs to Left Front Drive Motor as shown.)	
	2753383		68.5in/ Length (Prior to S/N 0200165343)	
	1001093121		72.75in/Length (S/N 0200165343 to Present)	
31	2220490	1	Fitting	
32	2230024	2	Fitting, Straight	
33	2220603	2	Fitting, Straight	
34	2220371	7	Fitting, Straight	
35	2220372	1	Fitting, Straight	
36	2220899	1	Fitting, Tee	
37	Not Used			
38	2220473	2	Fitting, 90°	
39	2220490	2	Fitting, Tee	
40	2220622	1	Fitting, Reducer	

SECTION 6 HYDRAULIC

**FIGURE 6-2. DRIVE HYDRAULIC DIAGRAM (STANDARD) (S/N 0200141689 TO PRESENT)
(CONTINUED)**

ITEM #	PART NUMBER	QTY.	DESCRIPTION	REV.
41	2220472	2	Fitting, 90°	
42	2220415	2	Fitting, Straight	
43	2220578	2	Fitting, 90°	
44	2220451	2	Fitting, Straight	
45	2221025	1	Fitting, Straight	
46	2220947	12	Fitting, Straight	
47	2220906	1	Fitting, 90°	
48	2220948	1	Fitting, Tee	
49	2221049	1	Fitting, Tee	
50	2221036	1	Fitting, 90°	
51	2220738	1	Fitting, Tee	
52	2220377	1	Fitting, Straight	
53	2220998	2	Fitting, Straight	
54	2220635	1	Fitting, Tee	
55	2120172	1	Filter, In-Line	
56	2220501	1	Fitting, 45°	
57	2220919	1	Fitting, Straight	
58	Not Used			
59	2220600	1	Fitting, Straight	
60	2221076	1	Fitting, Tee	
61	2221075	1	Fitting, Straight	
62	2220852	1	Fitting, Straight	
63	0100075	A/R	Compound, Locking	
64	2220385	1	Fitting, Swivel	
65	2220619	2	Fitting, Reducer	
66	2220371	A/R	Fitting, Straight	
67	2220473	A/R	Fitting, 90°	
68	2221086	1	Fitting, Diagnostic Test Port Coupling	
69	2221042	2	Fitting, 90°	

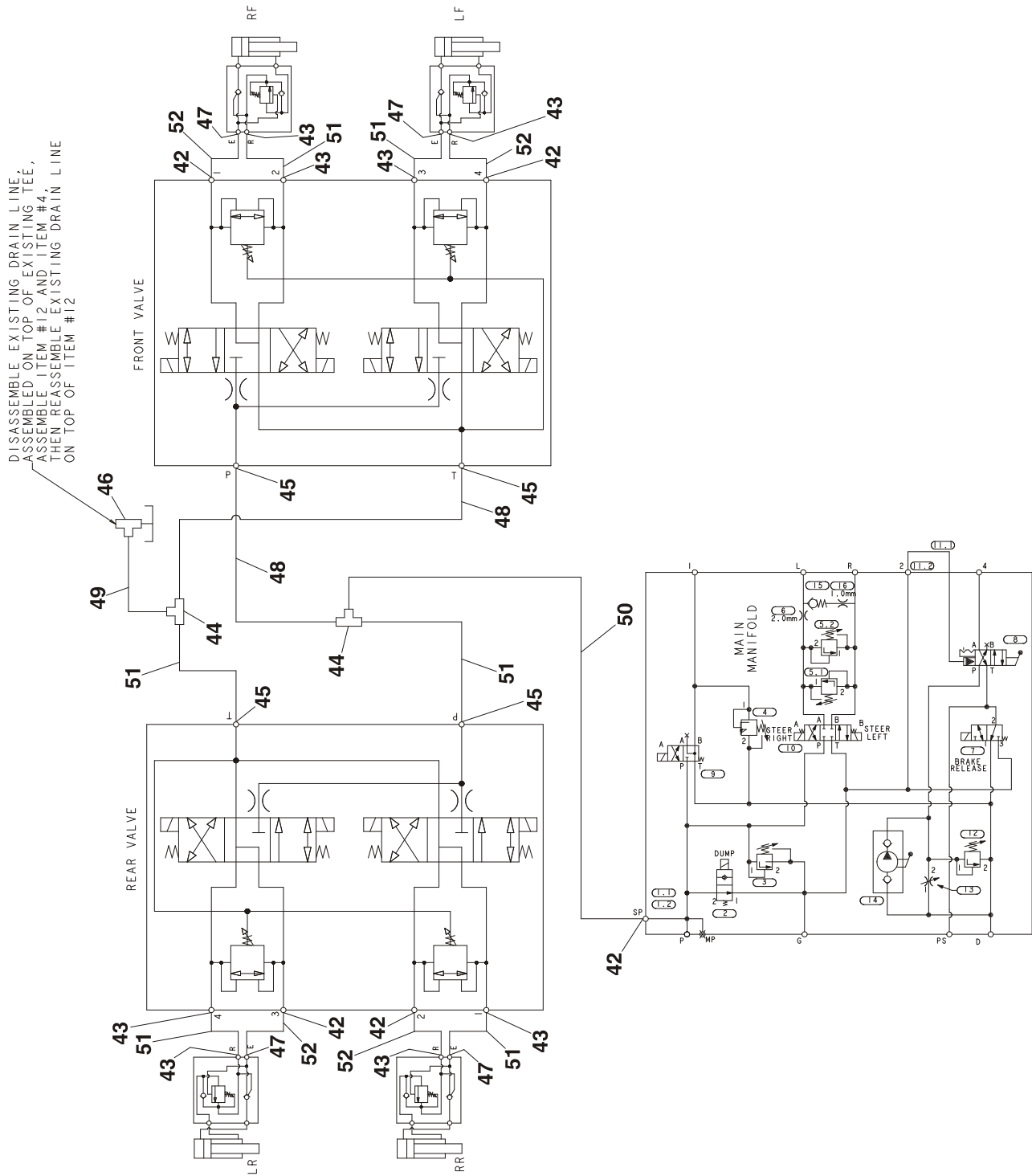
SECTION 6 HYDRAULIC

**FIGURE 6-2. DRIVE HYDRAULIC DIAGRAM (STANDARD) (S/N 0200141689 TO PRESENT)
(CONTINUED)**

ITEM #	PART NUMBER	QTY.	DESCRIPTION	REV.

SECTION 6 HYDRAULIC

FIGURE 6-3. DRIVE HYDRAULIC DIAGRAM (LEVELING JACKS) (PRIOR TO S/N 0200141689)



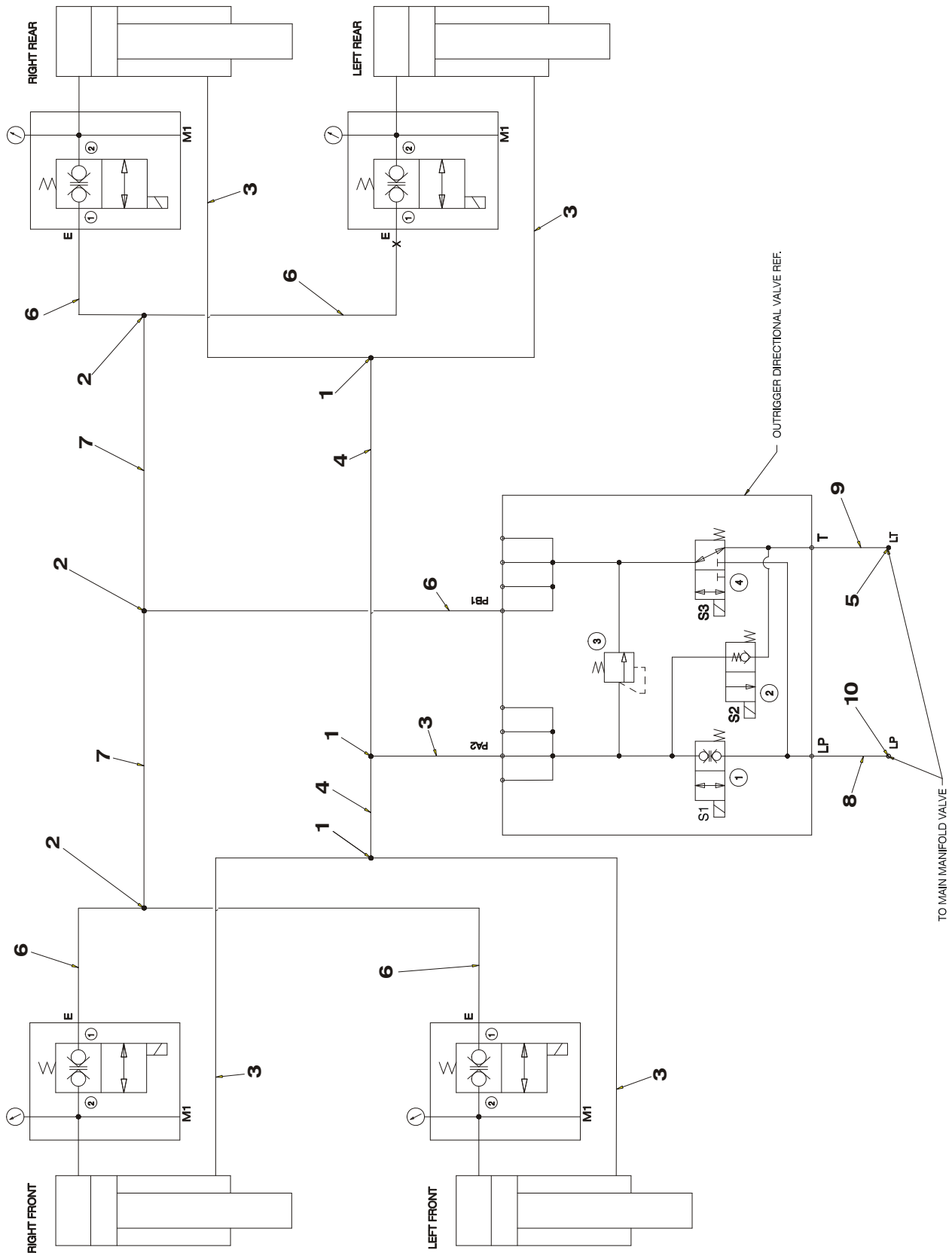
SECTION 6 HYDRAULIC

FIGURE 6-3. DRIVE HYDRAULIC DIAGRAM (LEVELING JACKS) (PRIOR TO S/N 0200141689)

ITEM #	PART NUMBER	QTY.	DESCRIPTION	REV.
		Ref.	HYDRAULIC DIAGRAM - LEVELING JACKS	
	2792431	Ref.	Prior to S/N 0200104262	B
	0259757	Ref.	S/N 0200104262 to S/N 0200141689	H
1 to 41	Not Used			
42	2220371	1	Fitting	
43	2220473	8	Fitting	
44	2220490	A/R	Hose	
45	2220501	A/R	Fitting, 45°	
46	2220635	A/R	Fitting, Tee	
47	2220819	4	Fitting, 90° (Long)	
48	2752466	A/R	Hose	
49	2752478	A/R	Hose	
50	2752649	A/R	Hose	
51	2752966	2	Hose	
52	2753488	4	Hose	

SECTION 6 HYDRAULIC

FIGURE 6-4. DRIVE HYDRAULIC DIAGRAM (AUTO LEVEL LEVELING JACKS) (S/N 0200141689 TO PRESENT)



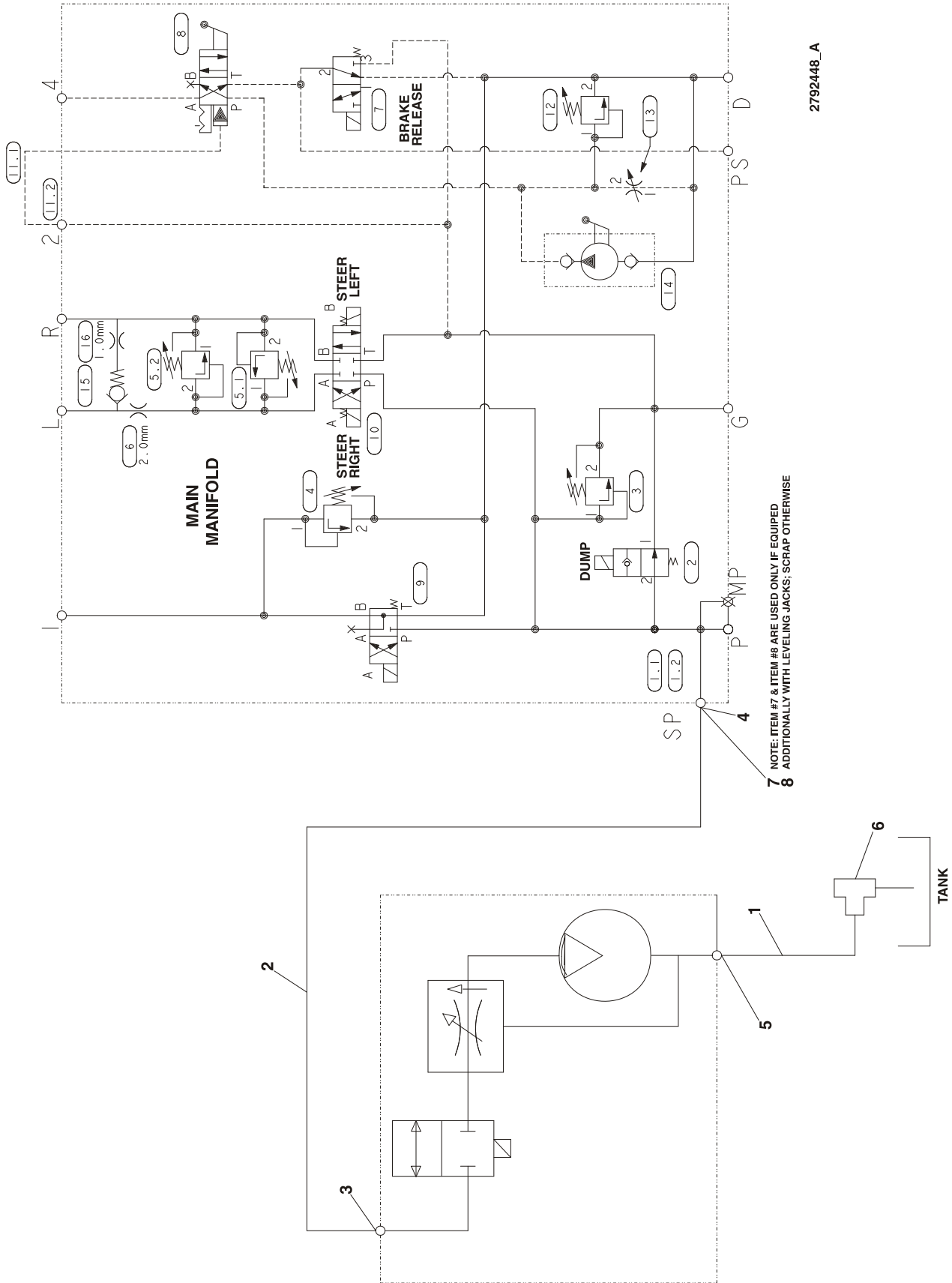
SECTION 6 HYDRAULIC

FIGURE 6-4. DRIVE HYDRAULIC DIAGRAM (AUTO LEVEL LEVELING JACKS) (S/N 0200141689 TO PRESENT)

ITEM #	PART NUMBER	QTY.	DESCRIPTION	REV.
	2792686	Ref.	HYDRAULIC DIAGRAM - AUTO LEVEL LEVELING JACKS	A
1	2170508	3	Fitting, Tee	
2	2170506	3	Fitting, Tee	
3	2716538	5	Hose	
4	2753579	2	Hose	
5	2220635	1	Fitting, Tee	
6	2716960	5	Hose	
7	2717235	2	Hose	
8	2753068	A/R	Hose	
9	2753626	1	Hose (Prior to S/N 0200155061 Only)	
10		1	Fitting Options:	
	2130606		Prior to S/N 0200155061	
	2220371		S/N 0200155061 to Present	

SECTION 6 HYDRAULIC

FIGURE 6-5. HYDRAULIC DIAGRAM (OPTIONAL GENERATOR)



2792448_A

SECTION 6 HYDRAULIC

FIGURE 6-5. HYDRAULIC DIAGRAM (OPTIONAL GENERATOR)

ITEM #	PART NUMBER	QTY.	DESCRIPTION	REV.
	2792448	Ref.	HYDRAULIC DIAGRAM - OPTIONAL GENERATOR	B
1	2753496	1	Hose, Return	
2	2753497	1	Hose, Pressure	
3	2220373	1	Fitting	
4	2220600	1	Fitting	
5	2220852	1	Fitting	
6	2220700	1	Fitting, Swivel End	
7		1	Fitting, Swivel End Options:	
	2220385		Prior to S/N 0200155061	
	2221035		S/N 0200155061 to Present	
8		1	Fitting, Reducer	
	2220619		Prior to S/N 0200155061	
	2220507		S/N 0200155061 to Present	

SECTION 6 HYDRAULIC

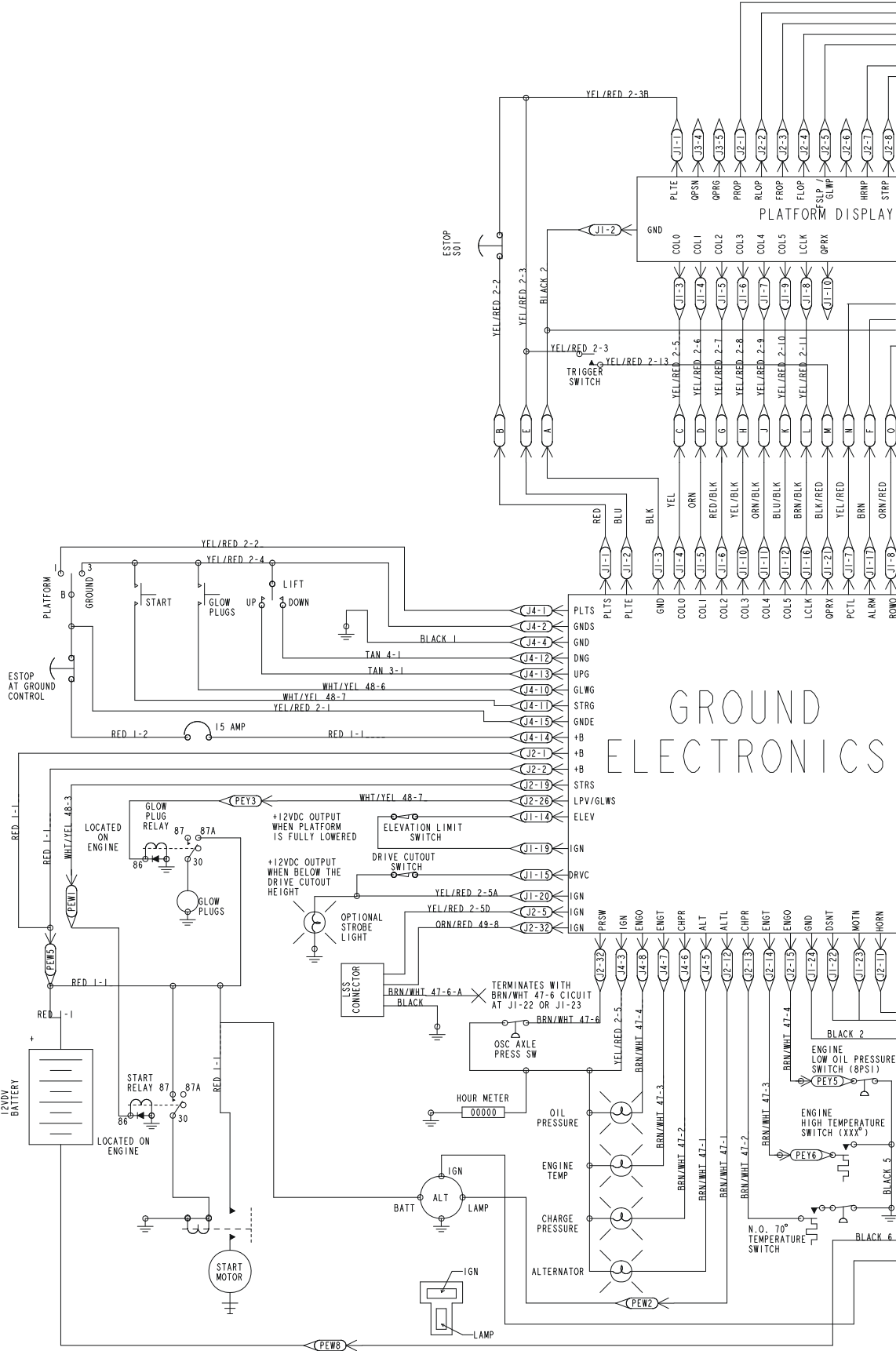
FIGURE 6-6. HYDRAULIC DIAGRAM LIST

ITEM #	PART NUMBER	QTY.	DESCRIPTION	REV.
		Ref.	Note: Diagrams with asterisk (*) are shown in the preceding pages. Information on diagrams not shown is available from JLG service/parts departments.	
	2792402*	Ref.	Hydraulic Diagram & Schematic - Standard (Prior to S/N 0200141689)	
	2792717*	Ref.	Hydraulic Diagram & Schematic - Standard (S/N 0200141689 to Present)	
		Ref.	Leveling Jacks Options: (Optional)	
	2792431	Ref.	Prior to S/N 0200104262	
	0259757*	Ref.	S/N 0200104262 to S/N 0200141689	
	2792686*	Ref.	Auto Level Leveling Jacks (S/N 0200141689 to Present)	
	2792448*	Ref.	Generator (Optional)	

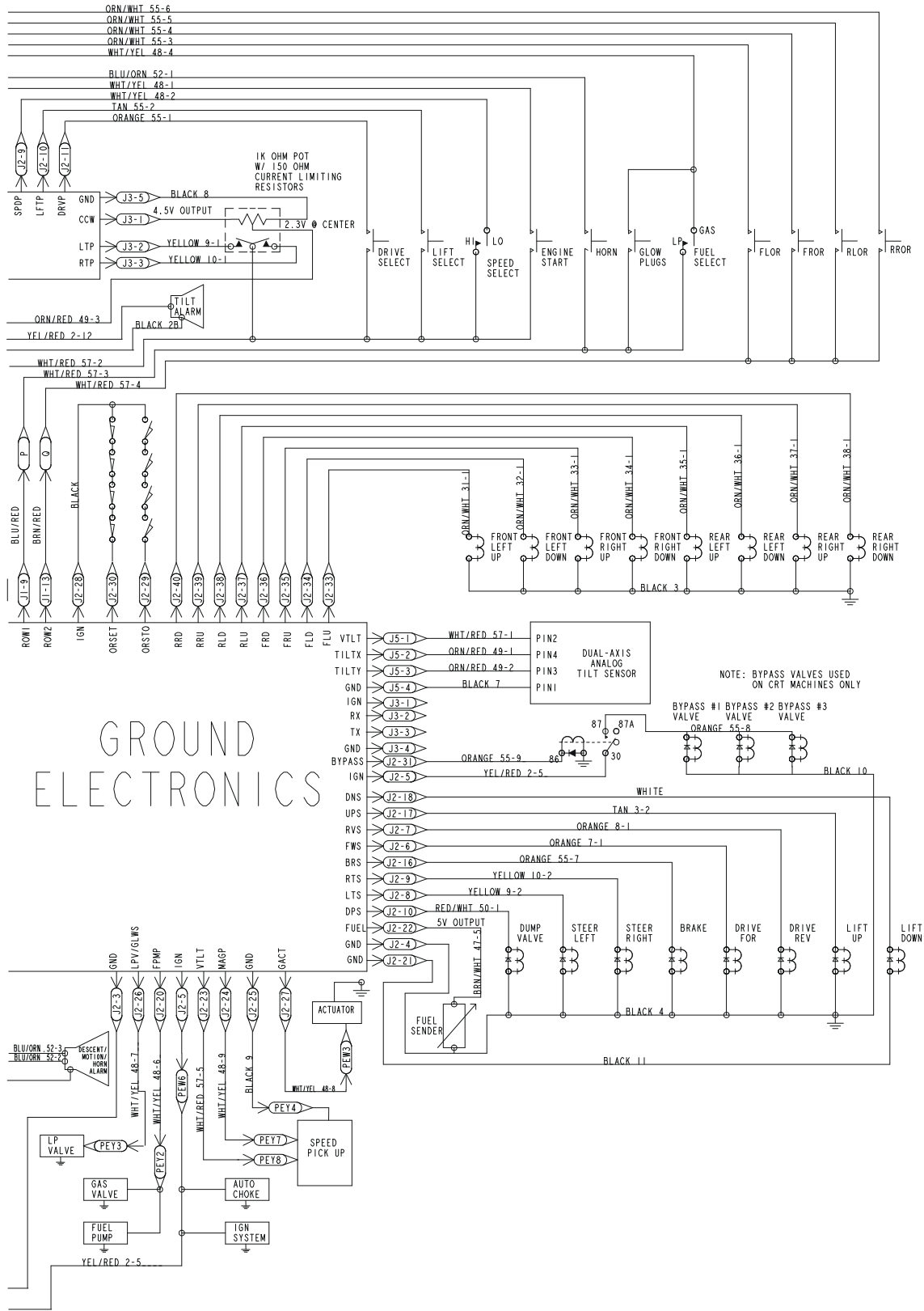
SECTION 7 ELECTRICAL

SECTION 7 ELECTRICAL

FIGURE 7-1. ELECTRICAL SCHEMATIC (WITHOUT GENERATOR PRIOR TO S/N 0200141689)



SECTION 7 ELECTRICAL

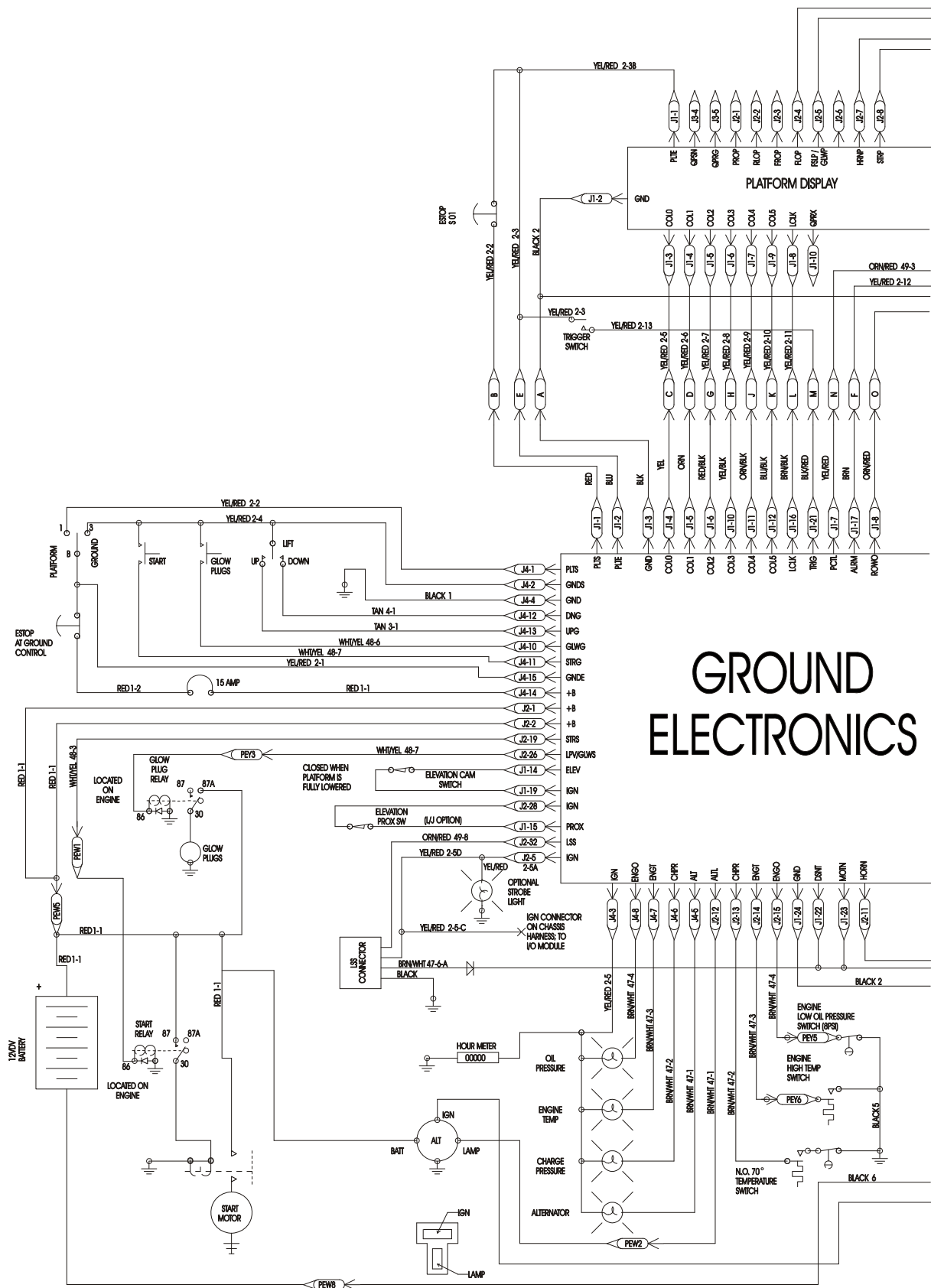


GROUND
ELECTRONICS

1870118 I

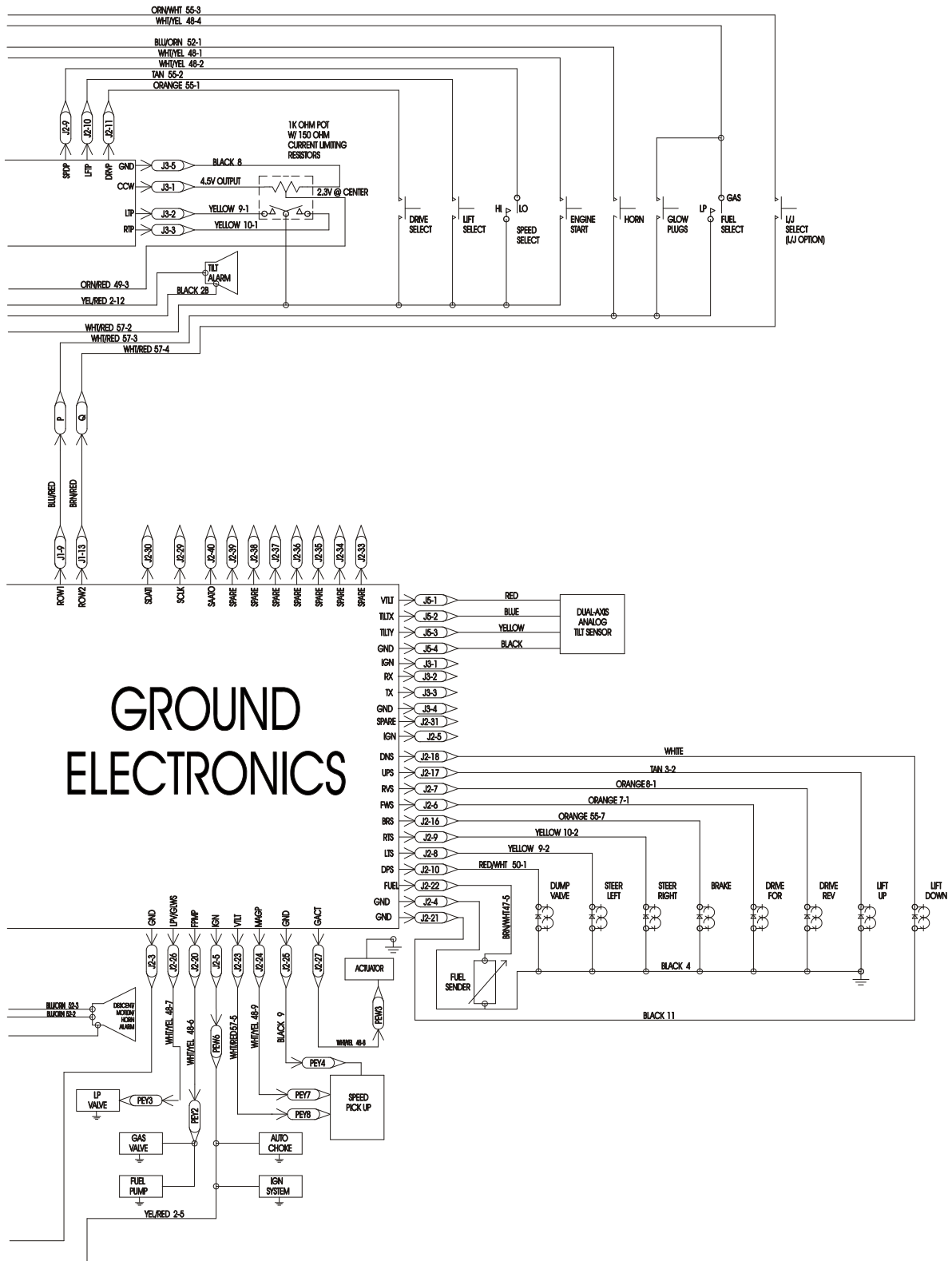
SECTION 7 ELECTRICAL

FIGURE 7-2. ELECTRICAL SCHEMATIC (WITHOUT GENERATOR S/N 0200141689 TO S/N 0200200647)



**GROUND
ELECTRONICS**

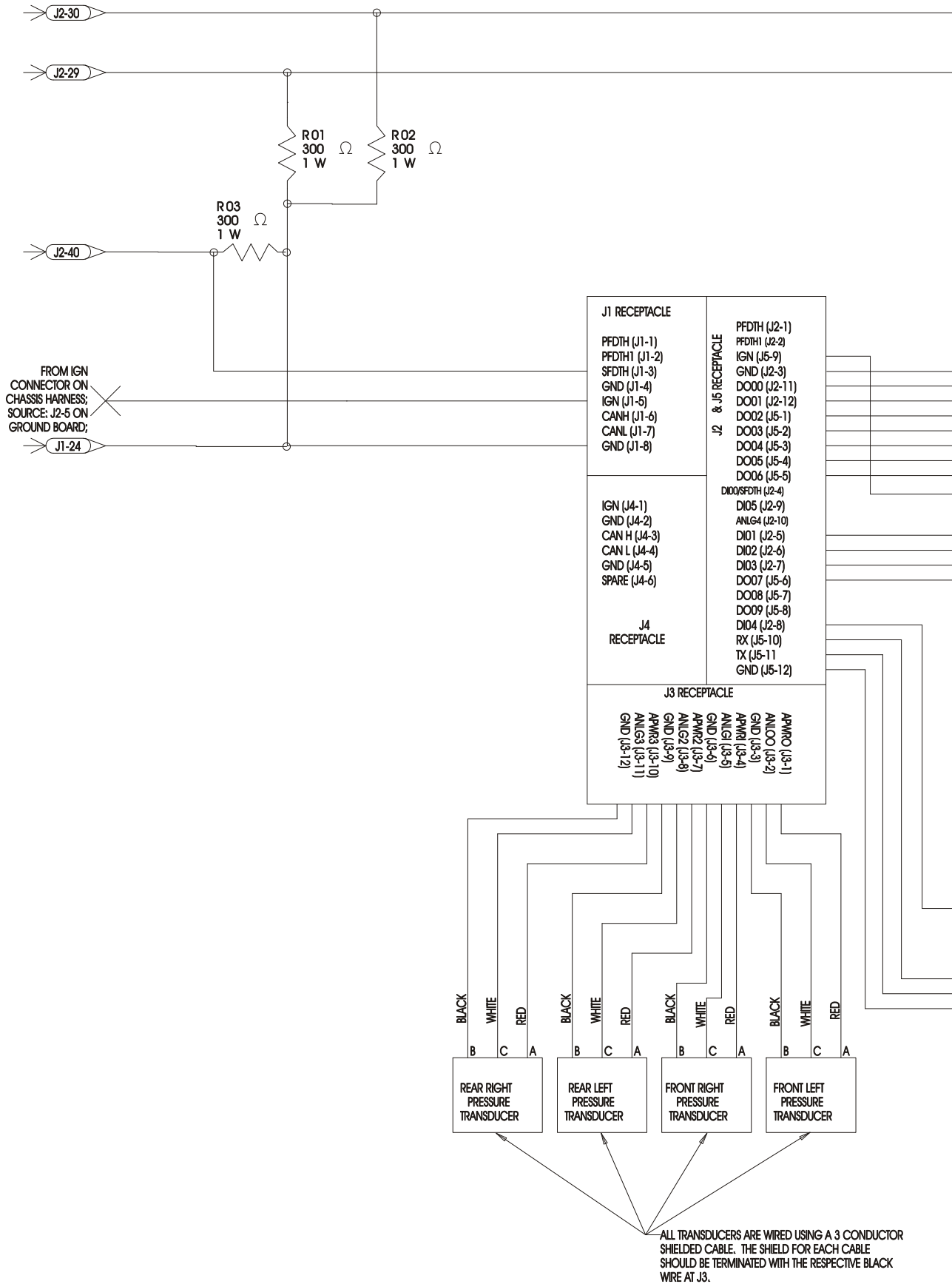
SECTION 7 ELECTRICAL



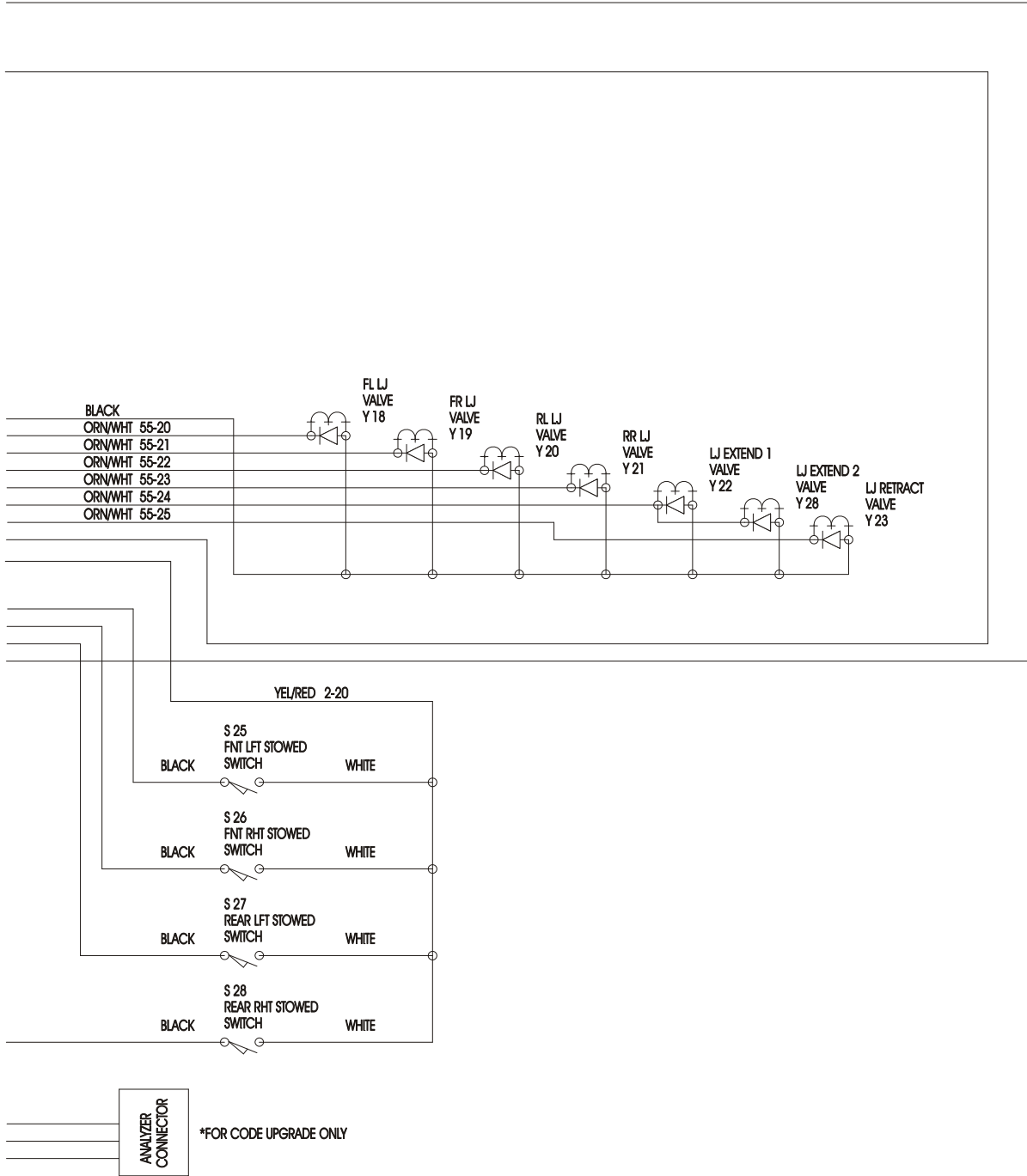
GROUND ELECTRONICS

1870183 A

SECTION 7 ELECTRICAL



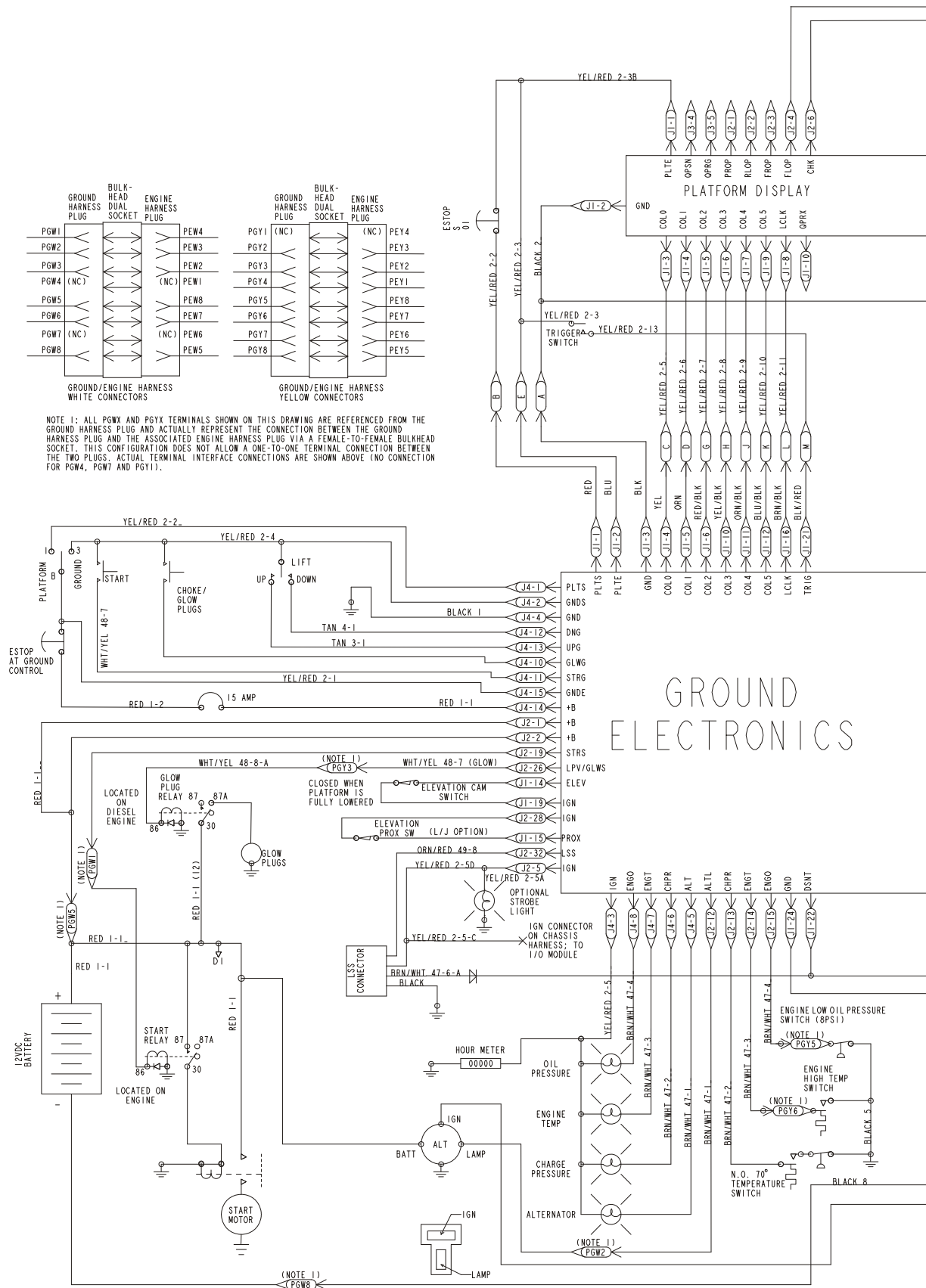
SECTION 7 ELECTRICAL



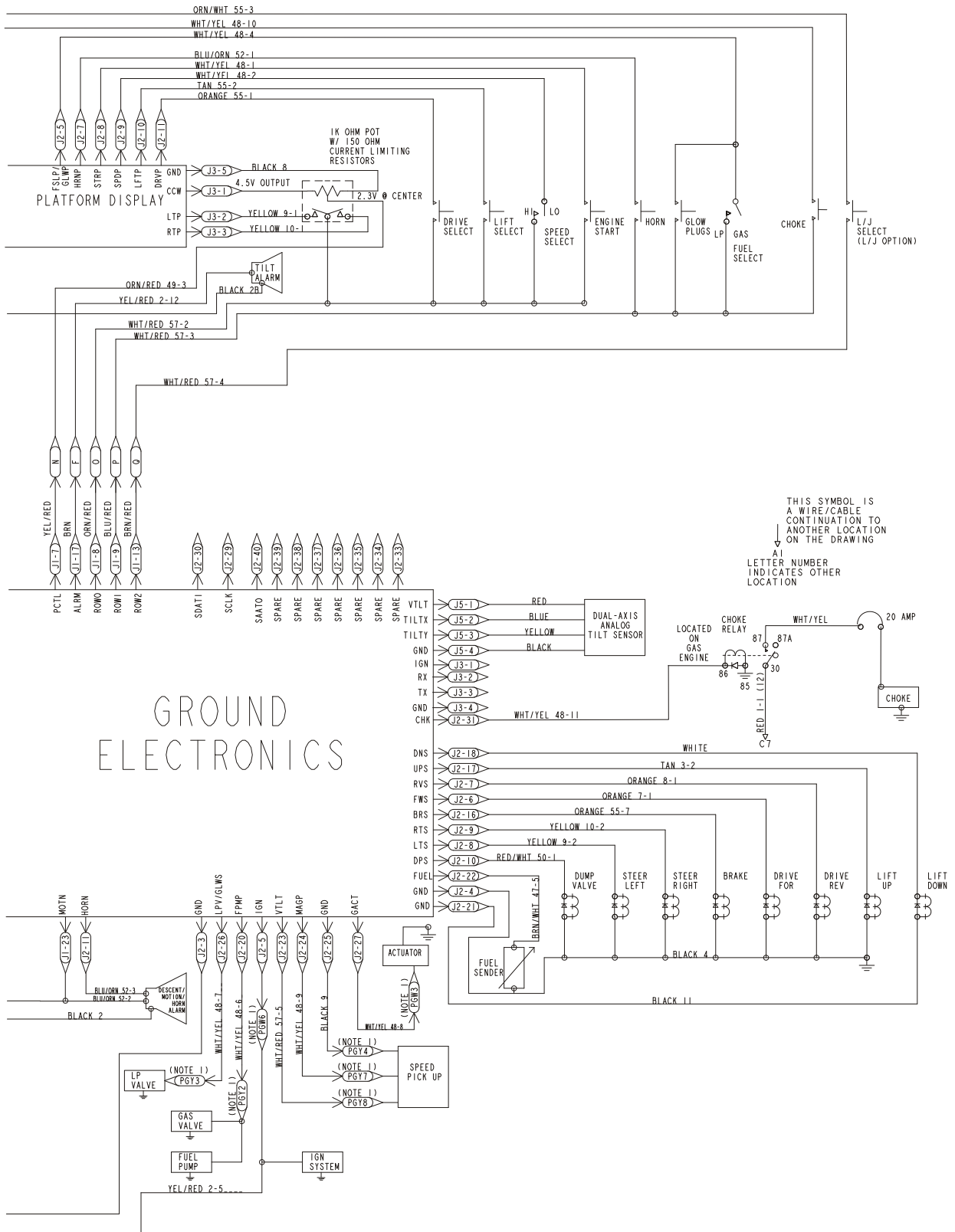
1870183 A

SECTION 7 ELECTRICAL

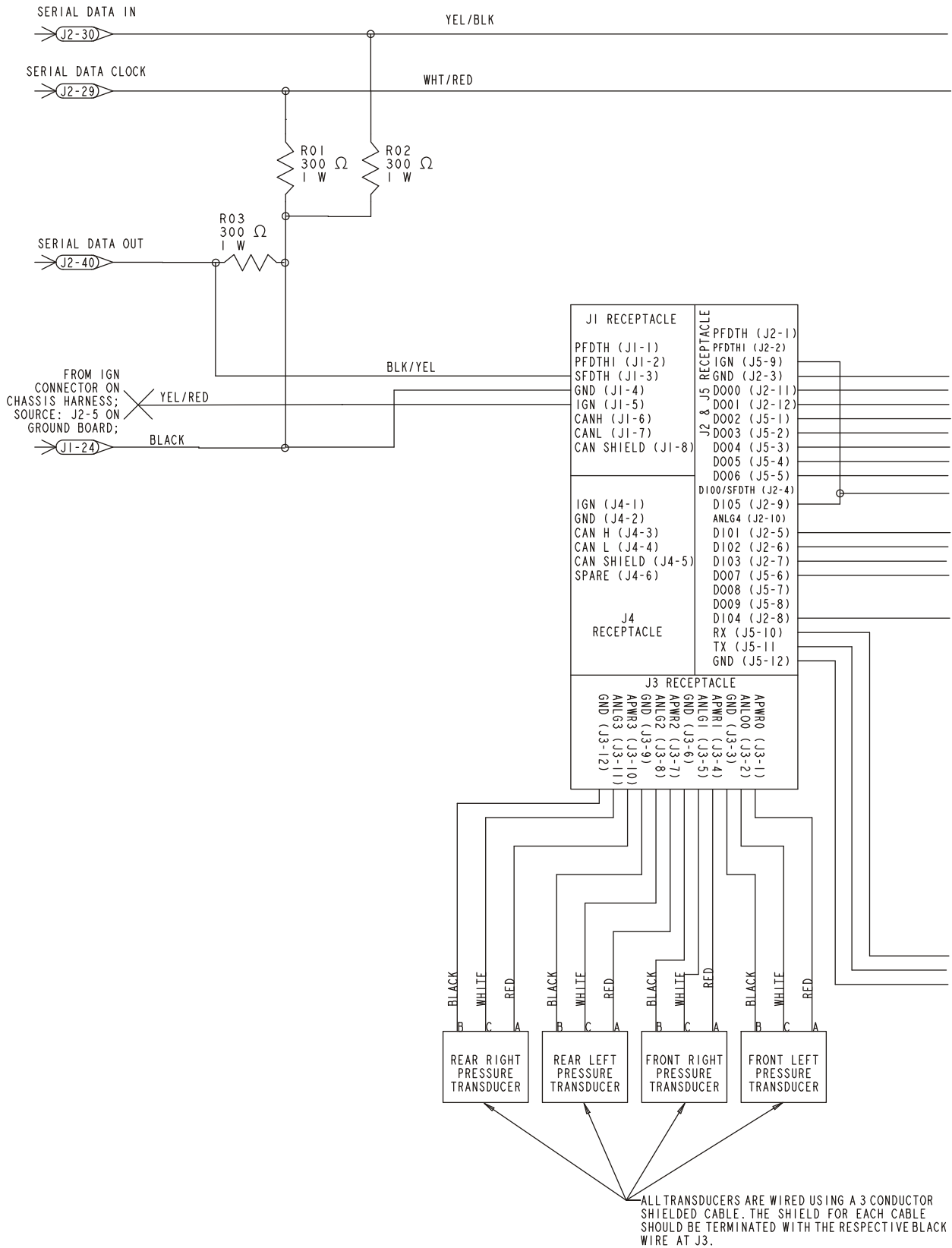
FIGURE 7-3. ELECTRICAL SCHEMATIC (WITHOUT GENERATOR S/N 0200200647 TO PRESENT)



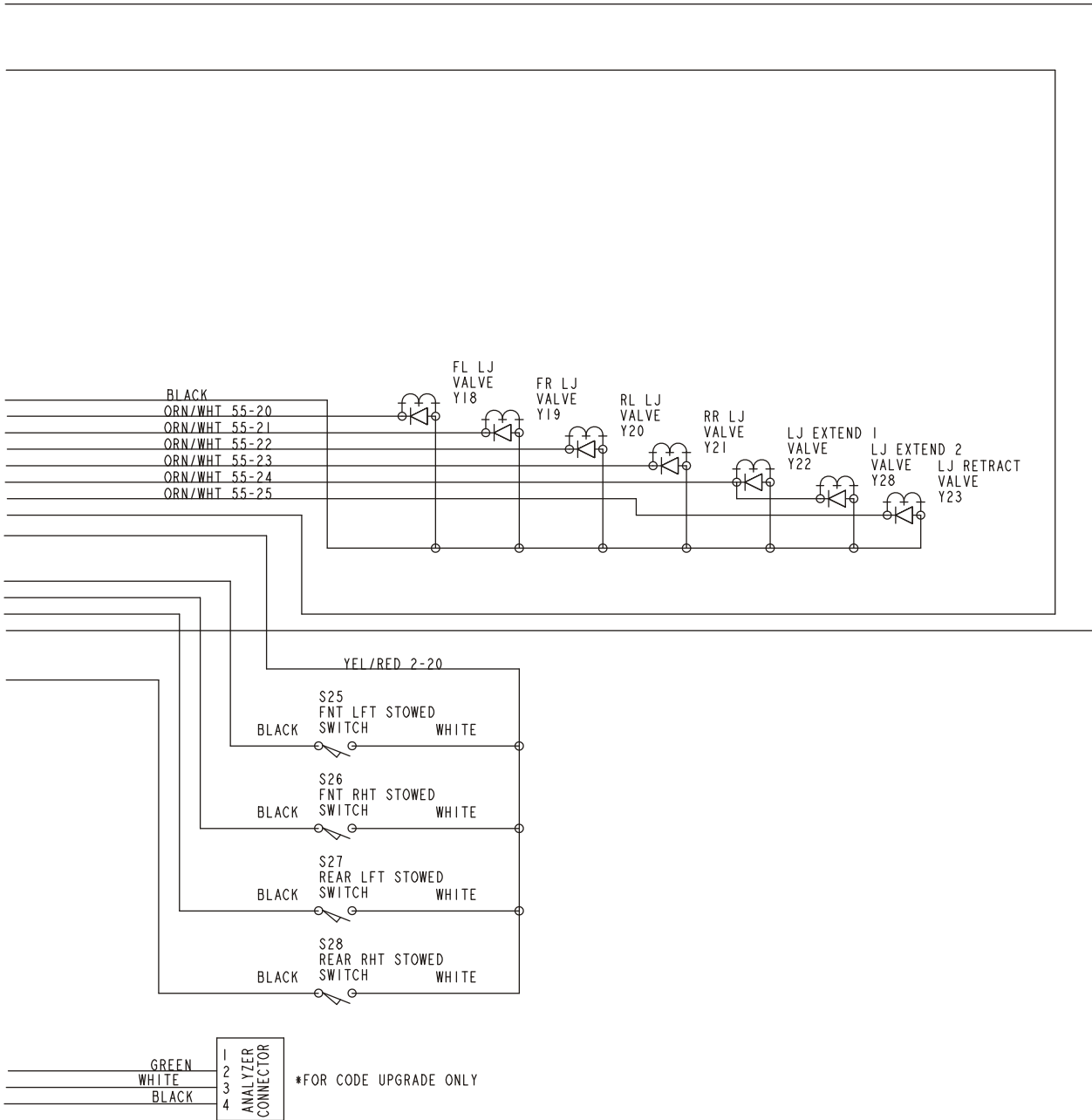
SECTION 7 ELECTRICAL



SECTION 7 ELECTRICAL



SECTION 7 ELECTRICAL

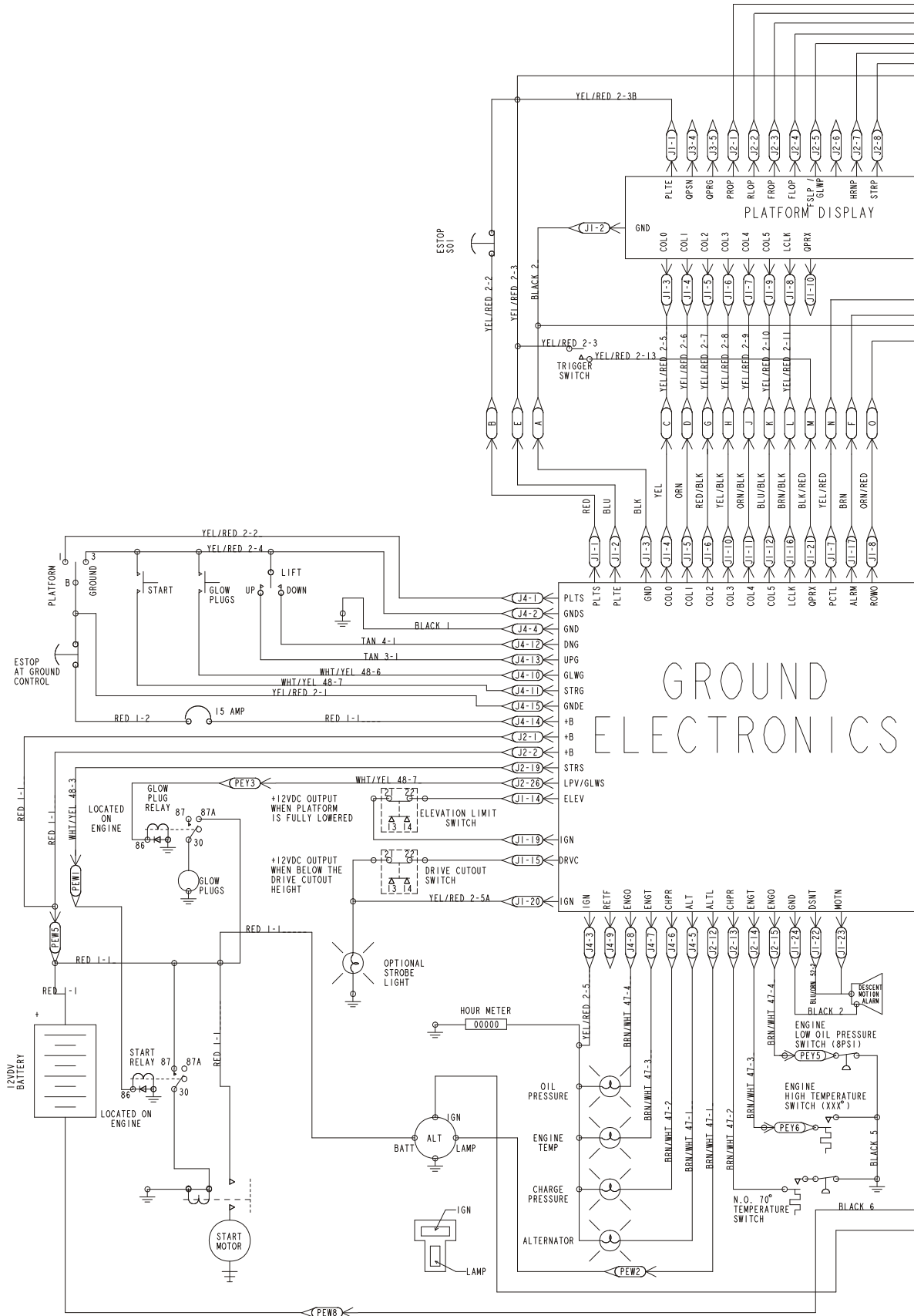


NOTE: ALL COMPONENTS SHOWN ON THIS PAGE ARE FITTED FOR THE LEVELING JACK OPTION ONLY.

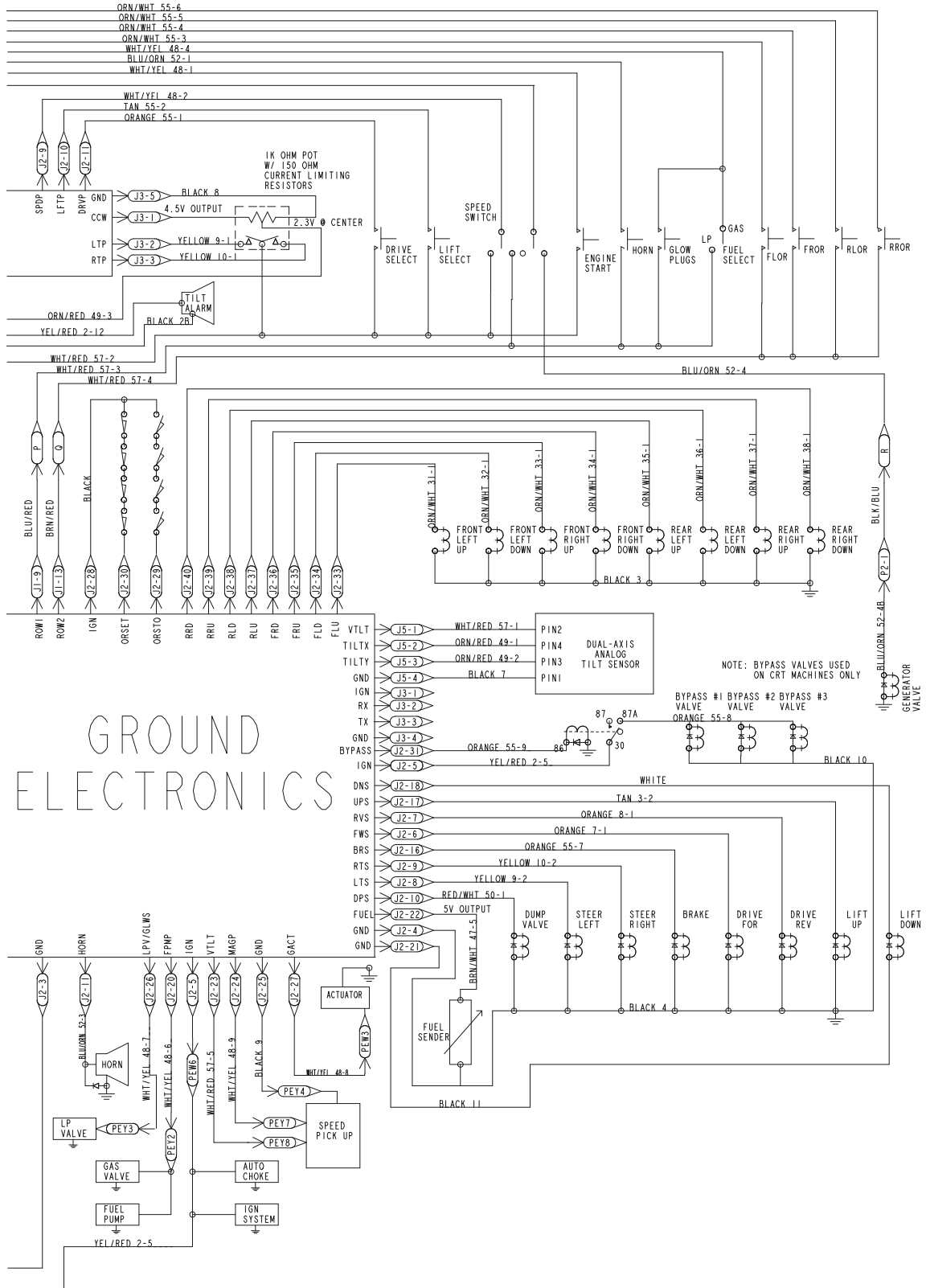
1001109560 B

SECTION 7 ELECTRICAL

FIGURE 7-4. ELECTRICAL SCHEMATIC (WITH GENERATOR PRIOR TO S/N 0200141689)



SECTION 7 ELECTRICAL

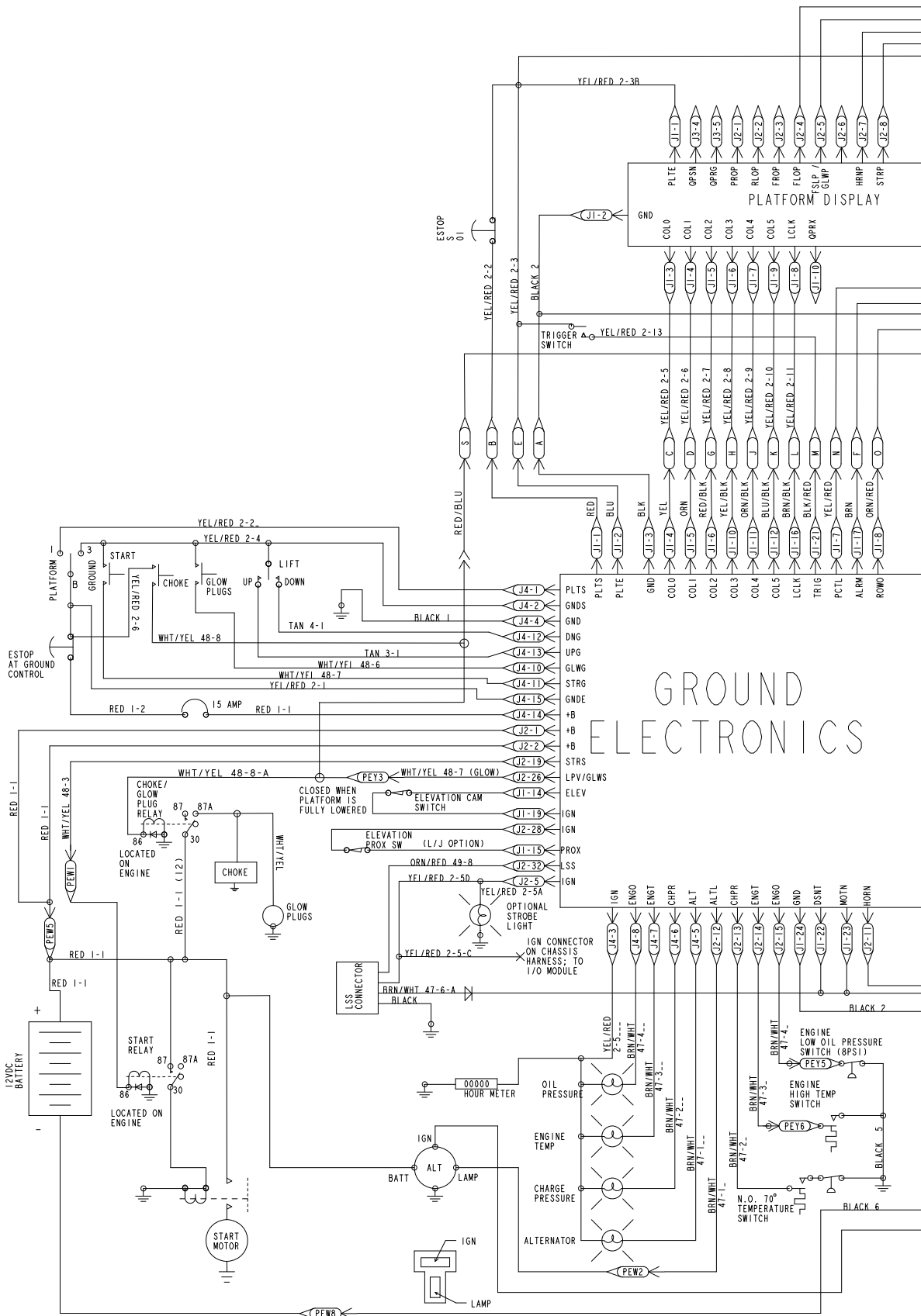


GROUND
ELECTRONICS

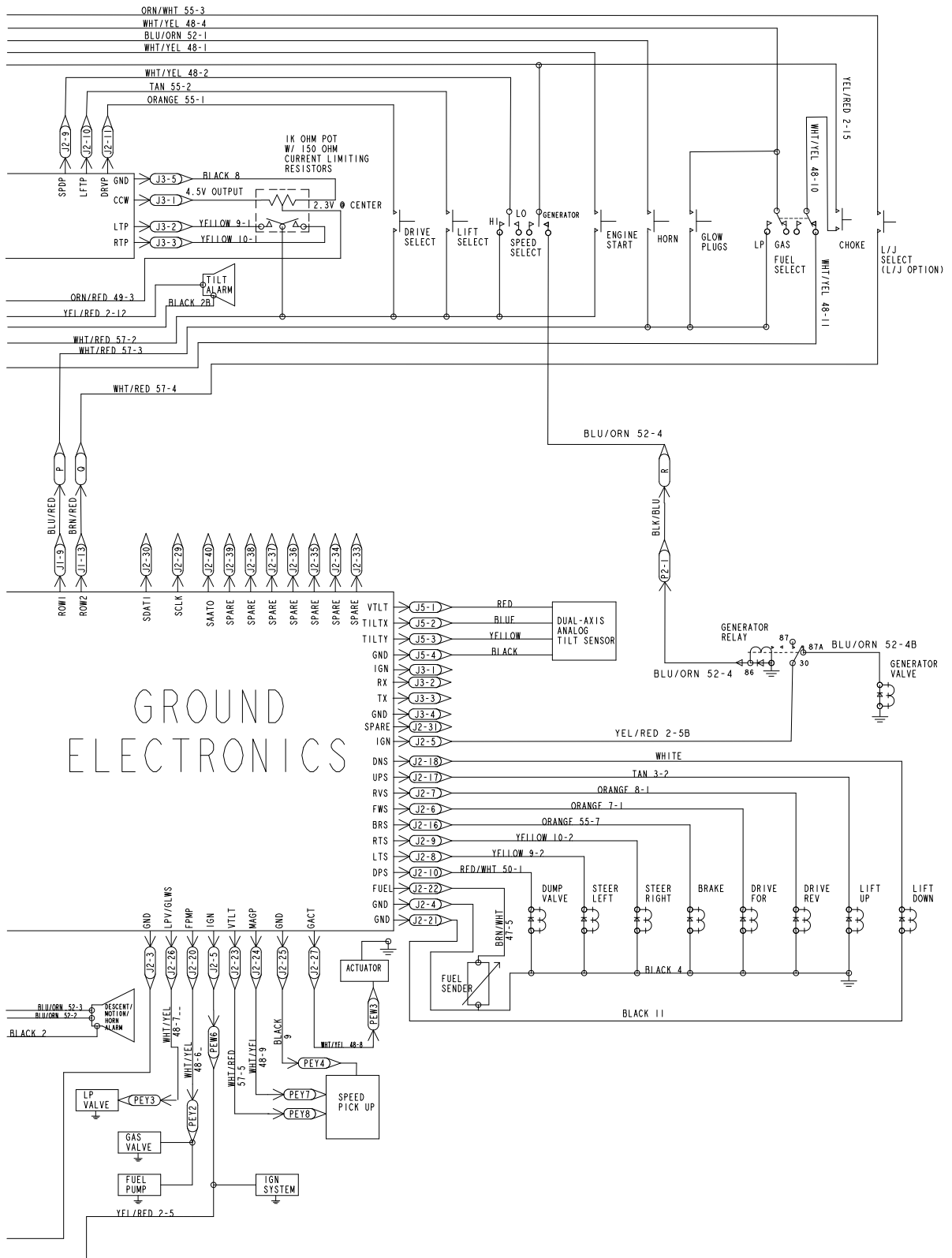
1870129 A

SECTION 7 ELECTRICAL

FIGURE 7-5. ELECTRICAL SCHEMATIC (WITH GENERATOR S/N 0200141689 TO S/N 0200200647)

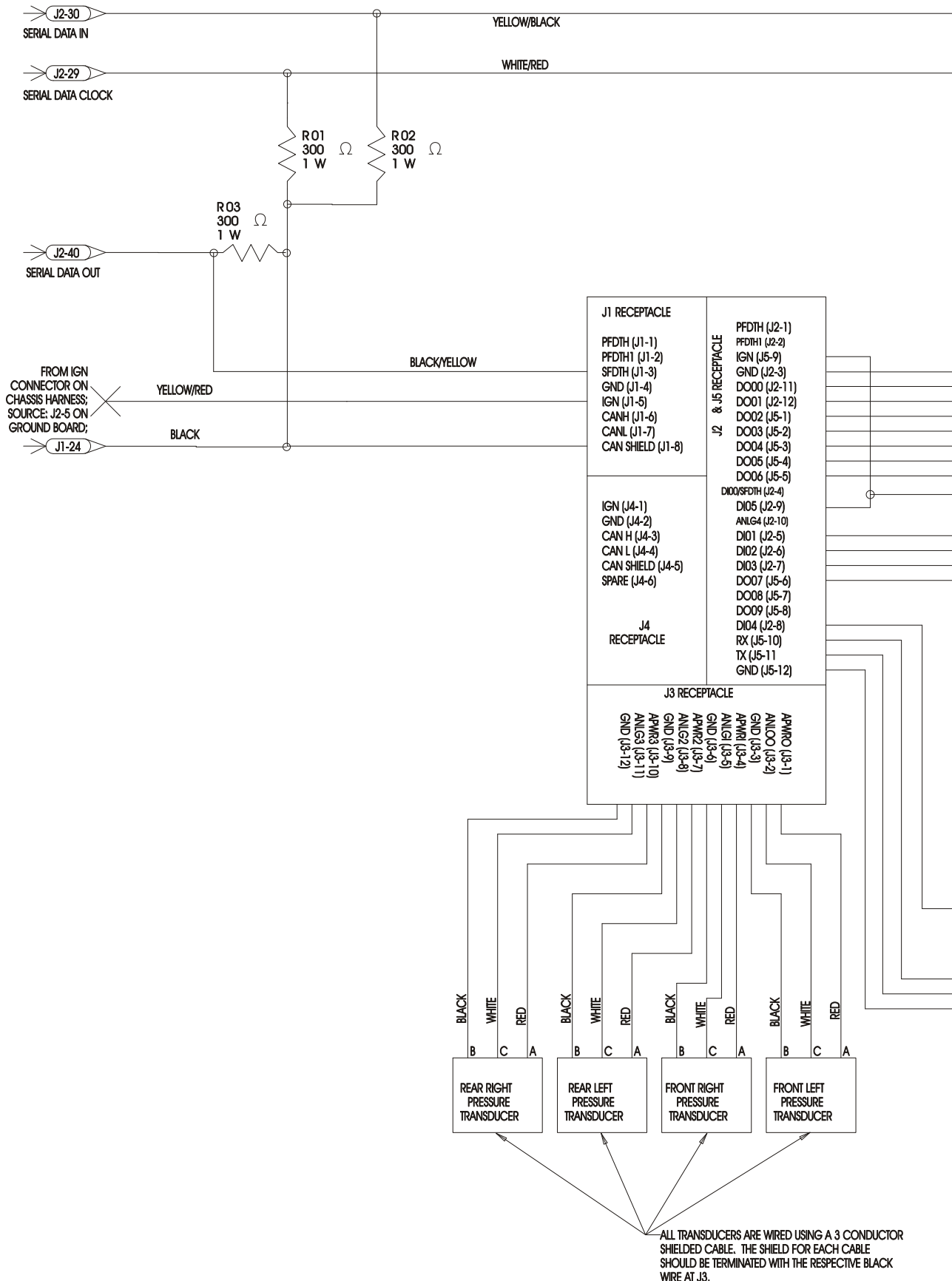


SECTION 7 ELECTRICAL

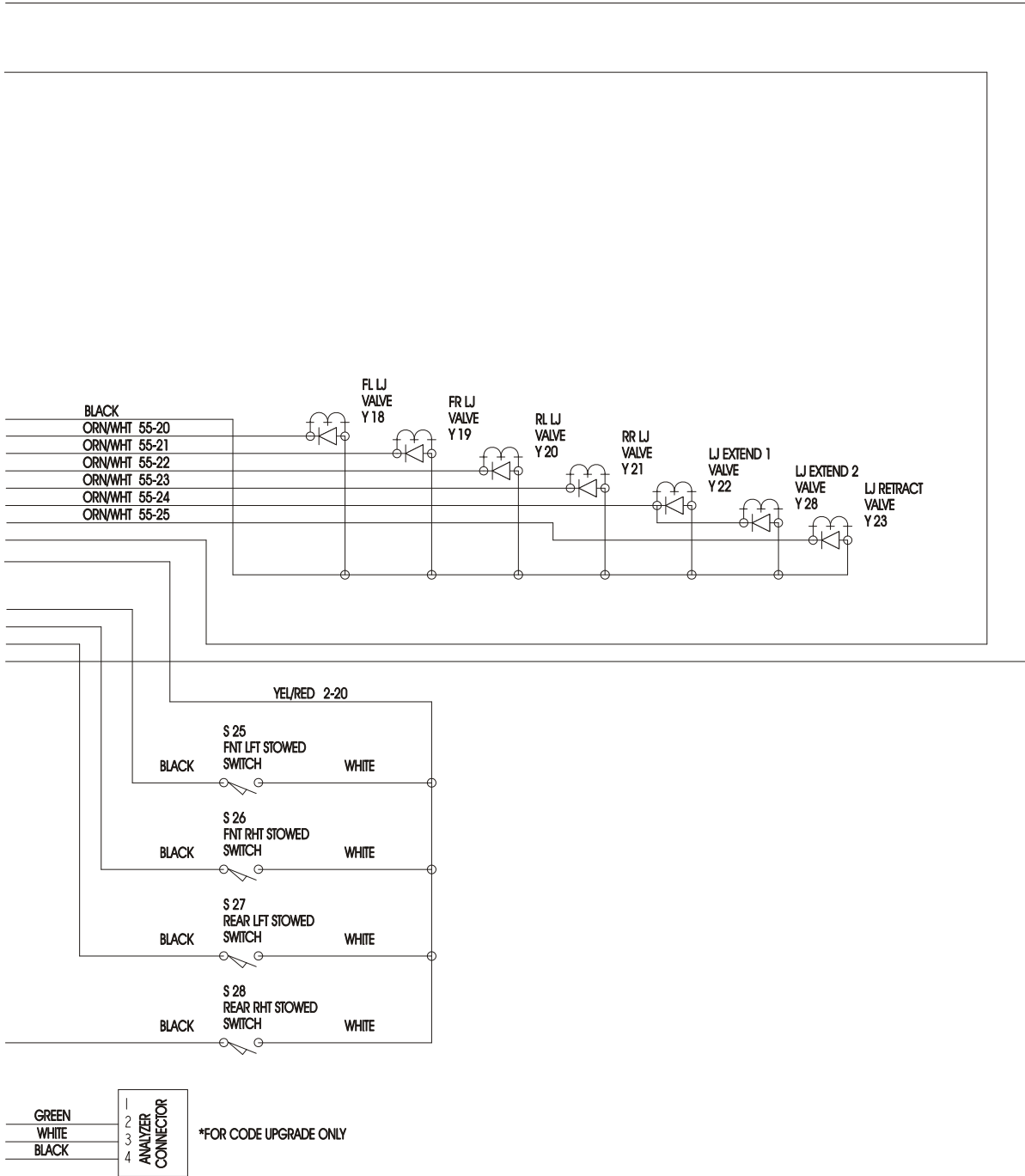


GROUND ELECTRONICS

SECTION 7 ELECTRICAL



SECTION 7 ELECTRICAL

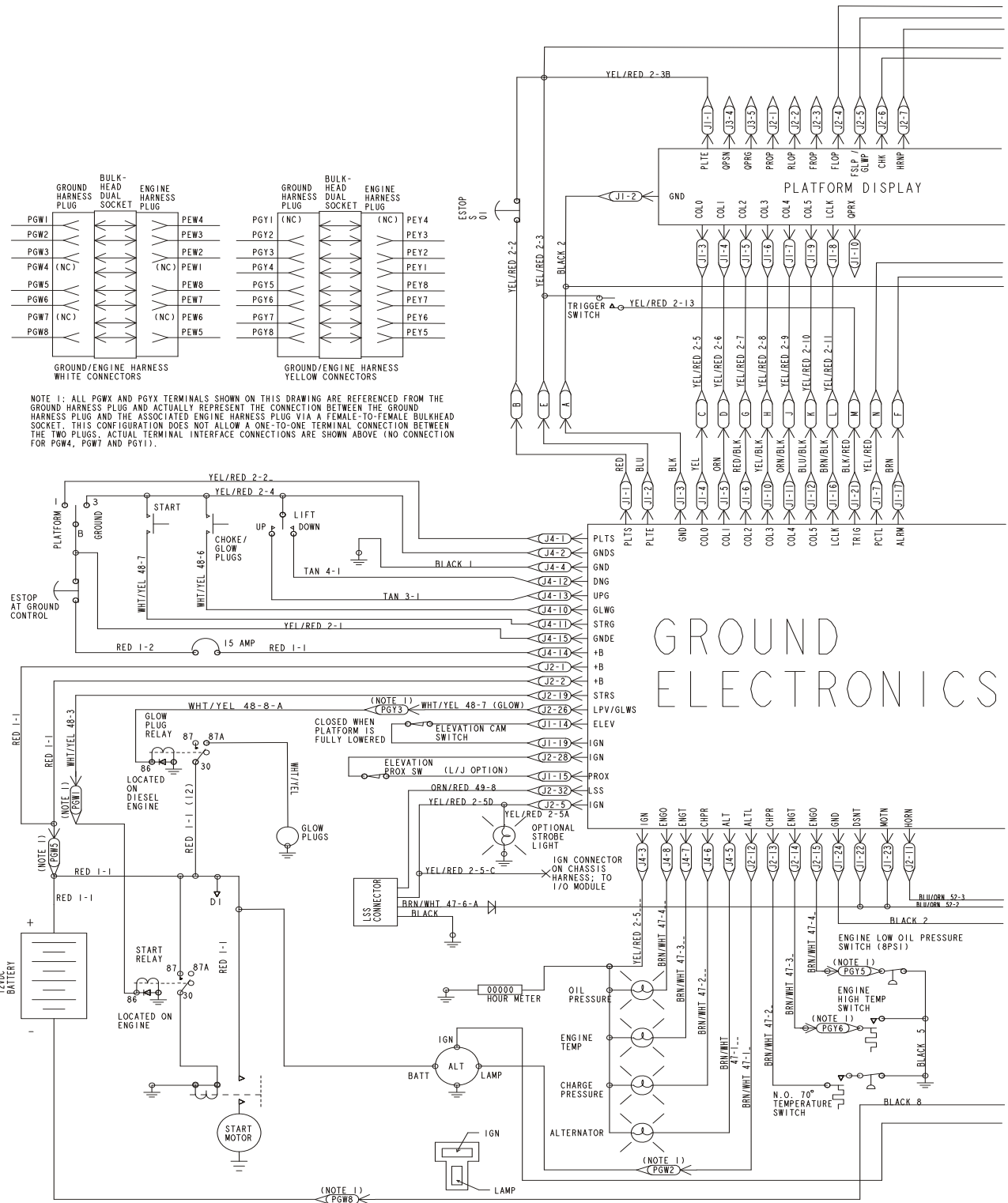


NOTE: ALL COMPONENTS SHOWN ON THIS PAGE ARE FITTED FOR THE LEVELING JACK OPTION ONLY.

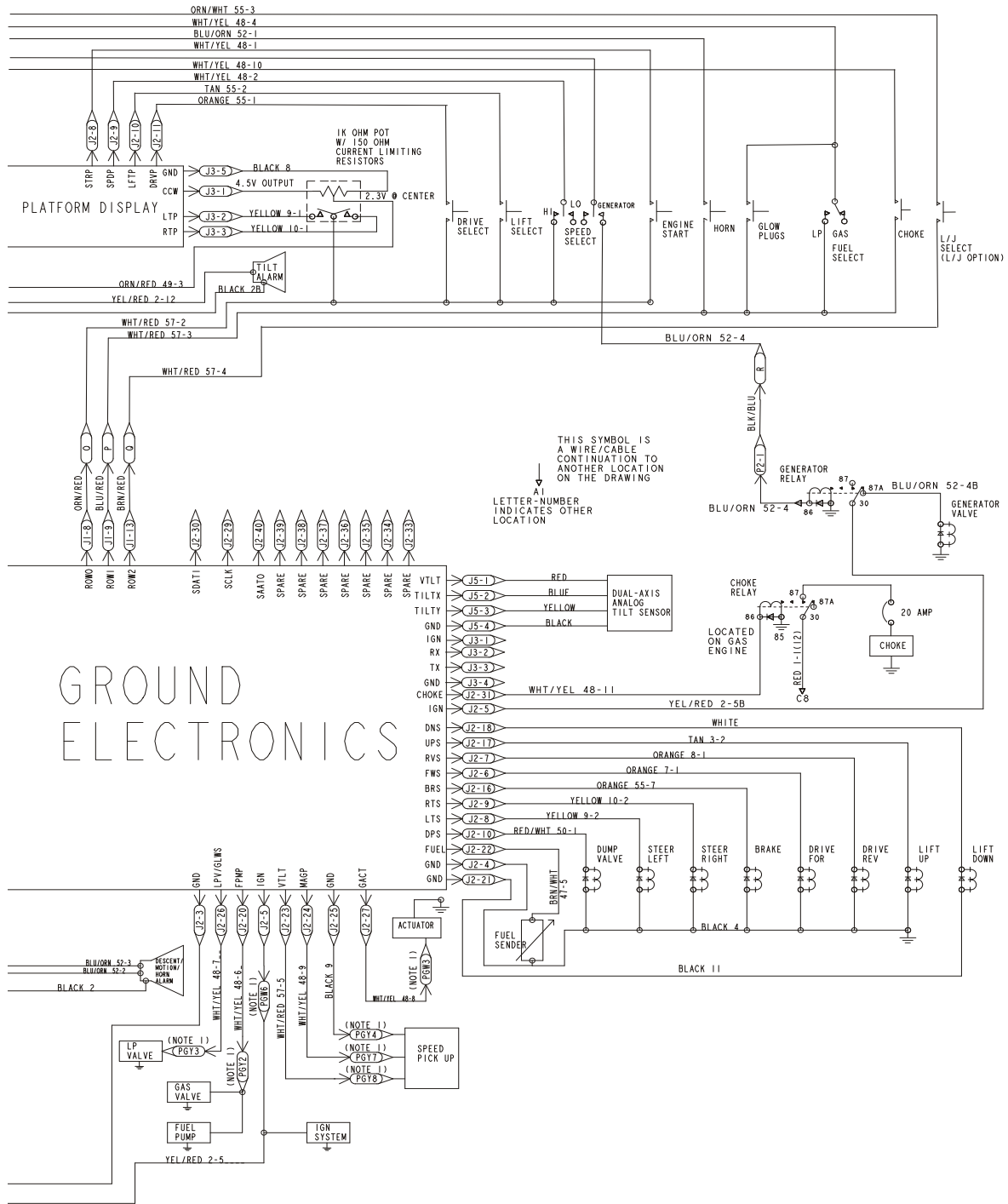
1870189 B

SECTION 7 ELECTRICAL

FIGURE 7-6. ELECTRICAL SCHEMATIC (WITH GENERATOR S/N 0200200647 TO PRESENT)

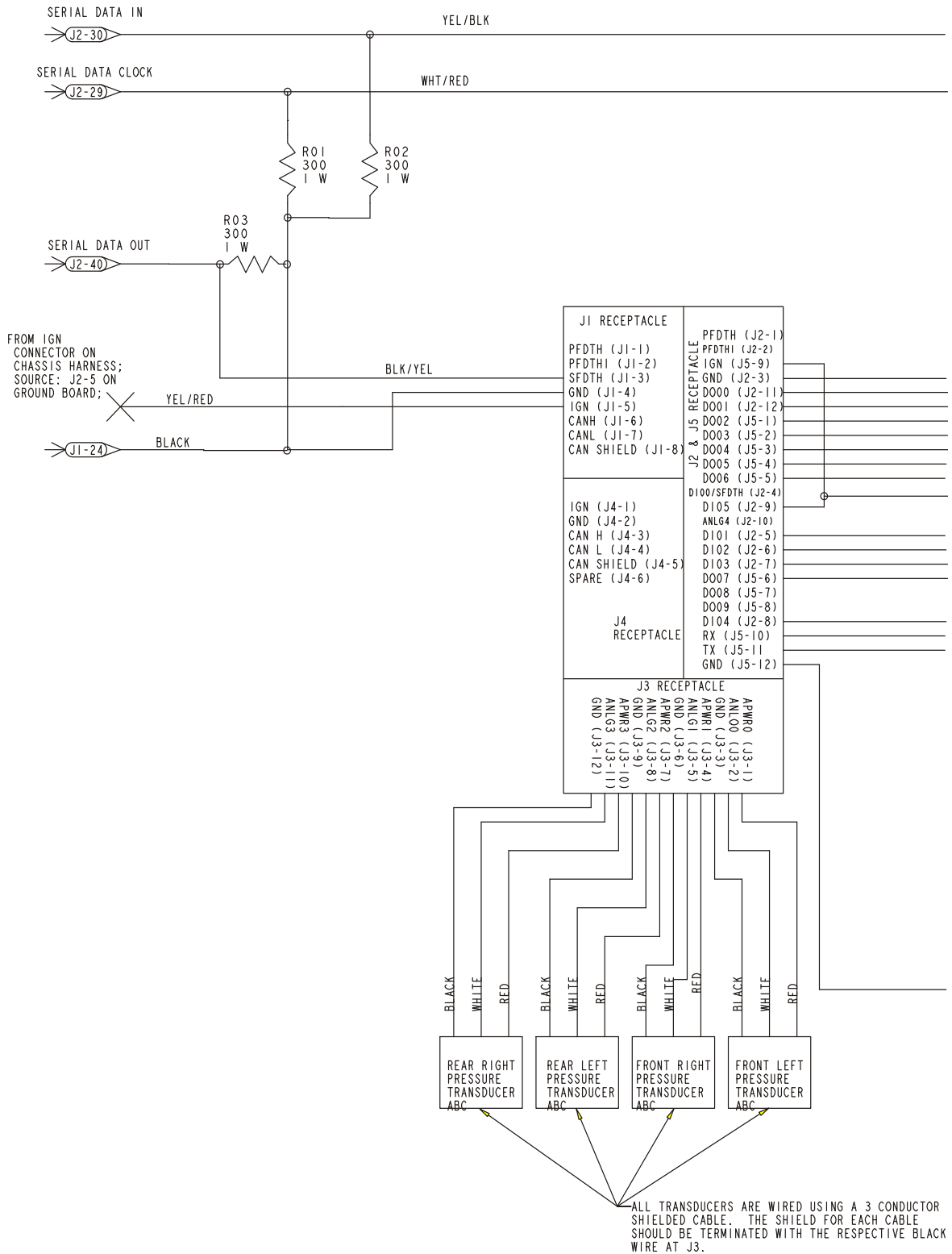


SECTION 7 ELECTRICAL

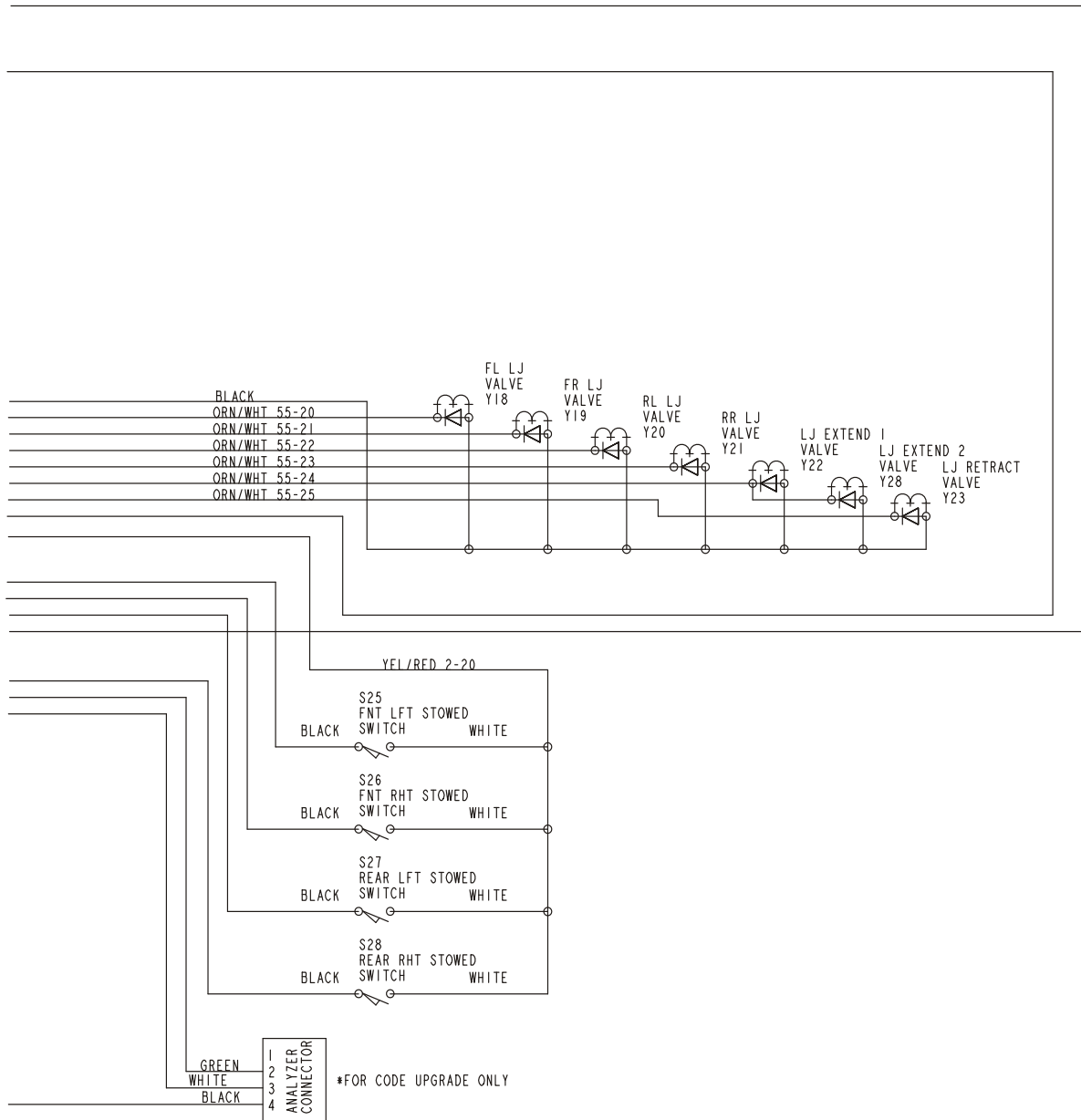


1001109561 B

SECTION 7 ELECTRICAL



SECTION 7 ELECTRICAL

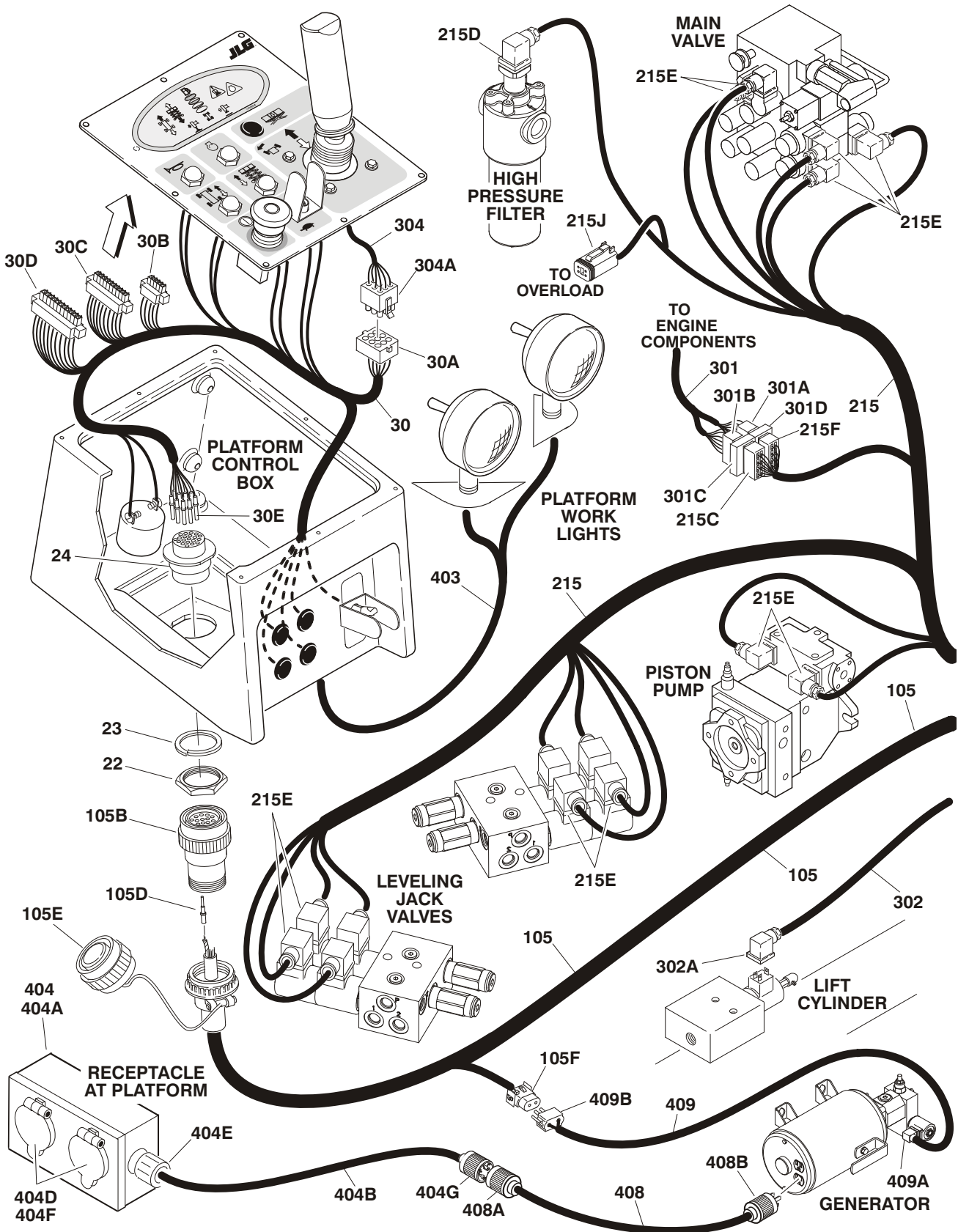


NOTE: ALL COMPONENTS SHOWN ON THIS PAGE ARE FITTED FOR THE LEVELING JACK OPTION ONLY.

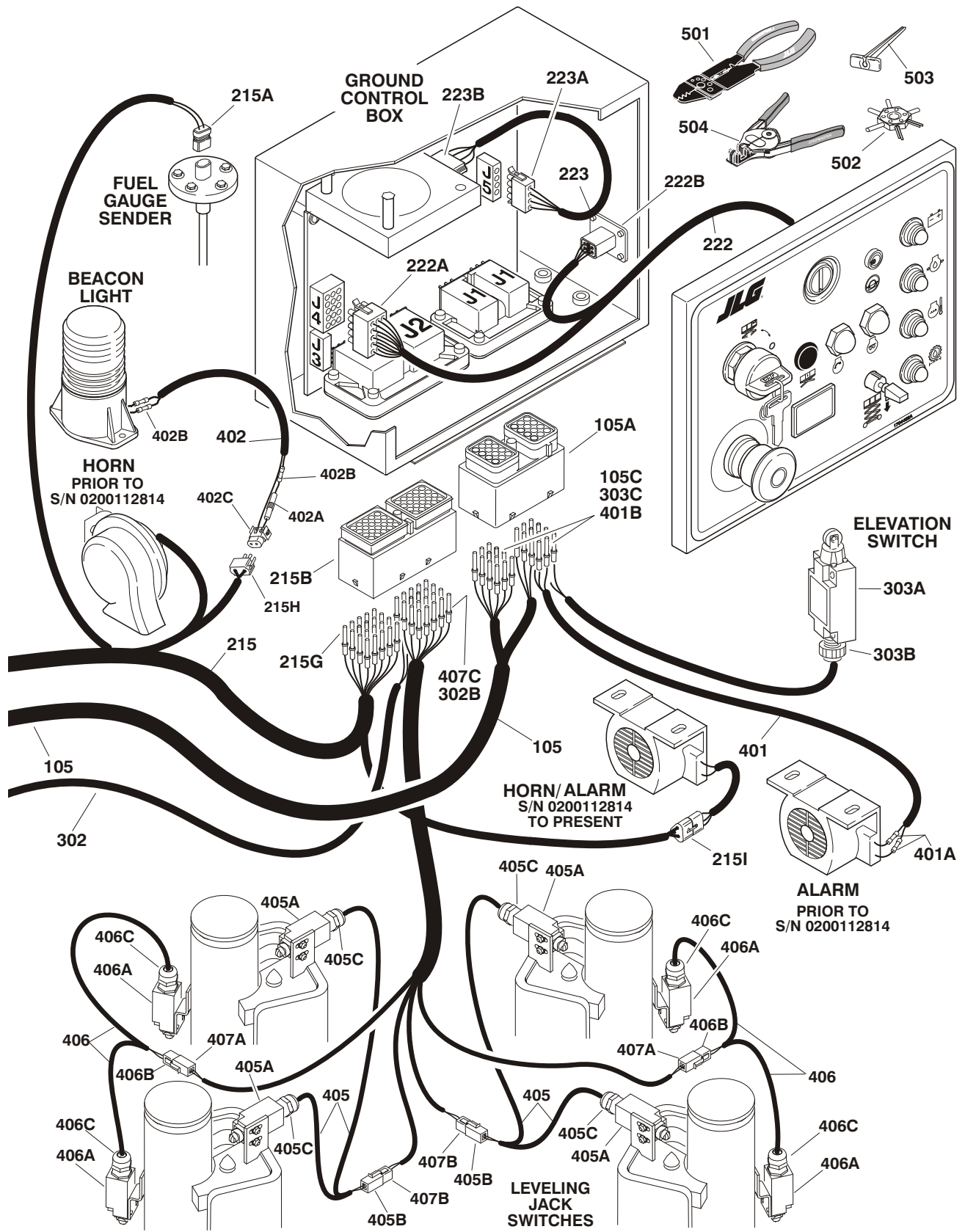
1001109561 B

SECTION 7 ELECTRICAL

FIGURE 7-7. ELECTRICAL COMPONENTS INSTALLATION (PRIOR TO S/N 0200141689)



SECTION 7 ELECTRICAL



SECTION 7 ELECTRICAL

FIGURE 7-7. ELECTRICAL COMPONENTS INSTALLATION (PRIOR TO S/N 0200141689)

ITEM #	PART NUMBER	QTY.	DESCRIPTION	REV.
		Ref.	CONSOLE BOX COMPONENTS	
1 to 21	Not Used			
22	4460470	1	Nut, Terminal	
23	4460471	1	Lockwasher, Terminal	
24	4460480	1	Connector, Terminal	
25 to 29	Not Used			
30		1	Harness, Console Box Options:	
	4922391	1	Without Leveling Jacks & Generator	A
	4922437	1	With Leveling Jacks Only	A
	4922447	1	With Generator Only	B
	4922446	1	With Leveling Jacks & Generator	A
30A	4460266	1	Receptacle - 9 Pin	
	4460267	8	Pin, Male	
30B	4460817	1	Plug, Male - 5 Position	
30C	4460818	1	Plug, Male - 10 Position	
30D	4460819	1	Plug, Male - 11 Position	
30E	4460465	15	Socket, Female	
	0259803	Ref.	PLATFORM CABLE INSTALLATION	B
101	0362801	3	Bar, Cable Rod (Not Shown)	
102	3450404	6	Pin, Cotter (Not Shown)	
103	4740480	6	Washer, Plastic Insert (Not Shown)	
104	4711600	6	Flatwasher 3/8in Thin (Not Shown)	
105	4922379	1	Platform Cable Assembly	C
	1060815	64.8ft/19.8m	Cable, 18 Conductors	
	4460473	1	Clamp, Cable	
105A	4460465	16	Socket, Female	
105B	4460481	1	Plug, Male-23 Position	
105C	4460812	1	Plug, Male-24 Position	
105D	4460464	18	Pin, Male	
105E	4460468	1	Cap, Dust	
105F	4460424	1	Plug, Male - 2 Position	
	4460267	2	Pin, Male	
		Ref.	GROUND CONTROL BOX ASSEMBLY AND INSTALLATIONS	
201 to 214	Not Used			
215		1	Harness, Engine and Valve Options:	
	4922365		Machines without Leveling Jacks	H
	4922436		Machines with Leveling Jacks	E
	3990010	1	Diode (Not Shown)	
215A	4460834	1	Plug, Male - 2 Position	
	4460845	2	Terminal	
215B	4460814	1	Connector, Female - 40 Position	
215C	4460828	1	Connector, Female - 8 Position (White)	
	4460829	7	Terminal, Female	

SECTION 7 ELECTRICAL

FIGURE 7-7. ELECTRICAL COMPONENTS INSTALLATION (PRIOR TO S/N 0200141689)

ITEM #	PART NUMBER	QTY.	DESCRIPTION	REV.
215D	4460449	1	Connector, DIN without Diode	
215E	4460499	A/R	Connector, DIN with Diode	
215F	4460827	1	Connector, Female - 8 Position (Yellow)	
	4460829	14	Terminal, Female	
215G	4460465	A/R	Socket, Female	
215H	4460424	1	Plug, Male - 2 Position	
	4460267	2	Pin, Male	
215I	4460539	1	Connector, Female - 2 Position (S/N 0200112814 to S/N 0200141689)	
	4460465	3	Socket, Female	
215J		A/R	Connector, Female Options:	
	4460320	1	Connector, Female - 2 Position (Prior to S/N 0200112814)	
	4460268	2	Socket, Female	
	4460884	1	Connector, Female - 4 Position (S/N 0200112814 to S/N 0200141689)	
216 to 221	4460465	4	Socket, Female	
	Not Used			
222		1	Harness, Ground Control Box Options:	
	4922378		Diesel Machines	B
222A	4922336		Gas Dual Fuel Machines	D
	4460434	1	Plug, Male - 15 Position	
222B	4460268	13	Socket, Female	
	4460885	1	Plug, Female - 4 Position (Diesel Machines Only) (Not used for this application)	
223	4460464	4	Socket, Female	
	4922339	1	Harness, Tilt (Prior to S/N 0200125353)	C
223A	4460321	1	Plug, Male - 4 Position	
	4460267	4	Pin, Male	
223B	4460824	1	Connector, Female - 6 Position (Prior to S/N 0200125353)	
	4460825	4	Socket, Female (Prior to S/N 0200125353)	
		Ref.	STANDARD HARNESS COMPONENTS	
301	7023183	1	Harness, Engine (Refer to Kubota Dealer)	
301A	7023179	1	Plug, Male - 8 Position (Yellow)	
	7023182	8	Pin, Male	
301B	7023178	1	Plug, Male - 8 Position (White)	
	7023182	8	Pin, Male	
301C	7023180	1	Bulkhead, Electrical Connector (White)	
301D	7023181	1	Bulkhead, Electrical Connector (Yellow)	
302	4922428	1	Harness, Lift Down	
	1060680	16.5ft/5m	Cable, Electrical - 18/2	
302A	4460499	1	Connector, DIN	
302B	4460465	2	Socket, Female	
303	4922630	1	Elevation Switches Harness	
	1060680	9ft/2.7m	Cable, Electrical - 18/2	
303A	Use 4460548	2	Switch, Limit (Prior to S/N 0200115167 was p/n 4360321)	
303B		2	Connector, Strain Relief Options:	
	4460428		Prior to S/N 0200115167	
	4460968		S/N 0200115167 to S/N 141689	

SECTION 7 ELECTRICAL

FIGURE 7-7. ELECTRICAL COMPONENTS INSTALLATION (PRIOR TO S/N 0200141689)

ITEM #	PART NUMBER	QTY.	DESCRIPTION	REV.
303C	4460465	2	Socket, Female	
304	Not Available	1	Harness, Controller (Part of Electrical Assembly)	
304A	4460265	1	Plug, Male - 9 Position	
	4460268	8	Socket, Female	
		Ref.	OPTIONAL HARNESS COMPONENTS	
401	Not Available	1	Alarm Harness (Prior to S/N 0200112814)	
	1060680	8ft/2.5m	Cable, Electrical - 18/2 (Prior to S/N 0200112814)	
401A	4460248	2	Terminal (Prior to S/N 0200112814)	
401B	4460465	2	Socket, Female	
402	4922439	1	Beacon Harness	
	1060680	6ft/1.8m	Cable, Electrical - 18/2	
402A	2400056	1	Fuse - 5 Amp	
	4460044	1	Fuseholder	
402B	4460248	3	Terminal, Butt	
402C	4460268	2	Socket, Female	
	4460320	1	Plug, Male - 2 Position	
403	Not Available	1	Harness - Worklight	
	1060680	A/R	Cable, Electrical - 18/2	
404			AC to Platform Receptacle Components Options:	
	0259807	Ref.	110V Receptacle	F
	0259808	Ref.	110V GFI Receptacle	F
	0259809	Ref.	220V Receptacle	G
	0259810	Ref.	220V Receptacle without Box	G
404A	0860038	1	Box, Switch	
404B		A/R	Electrical Cable Options:	
	1060308	42ft/12.8m	110V (Prior to S/N 0200105000)	
	1060461	43ft/13.1m	220V (Prior to S/N 0200105000)	
	4922713	1	110/220V (S/N 0200105000 to S/N 0200114069)	
	1061024	43ft/13.1m	110/220V (S/N 0200114069 to S/N 0200141689)	
404C	1703464	1	Decal - AC Power (Not Shown)	
404D		1	Shield, Cover Options:	
	4060092		110V	
	4060700		110V with GFI Receptacle	
	Not Available		220V	
404E		1	Connector, Strain Relief Options:	
	4460051		110V (Prior to S/N 0200105000)	
	4460328		110V (S/N 0200105000 to S/N 0200114069)	
	4460071		110V (S/N 0200114069 to S/N 0200141689)	
	4460328		220V (Prior to S/N 0200114069)	
	4460071		220V (S/N 0200114069 to S/N 0200141689)	
404F		1	Receptacle Options:	
	4460190		110V	
	4460346		110V GFI Receptacle	
	Not Available		220V	
404G		1	Plug, Male Options:	
	4460138		110V	
	Not Available		220V	

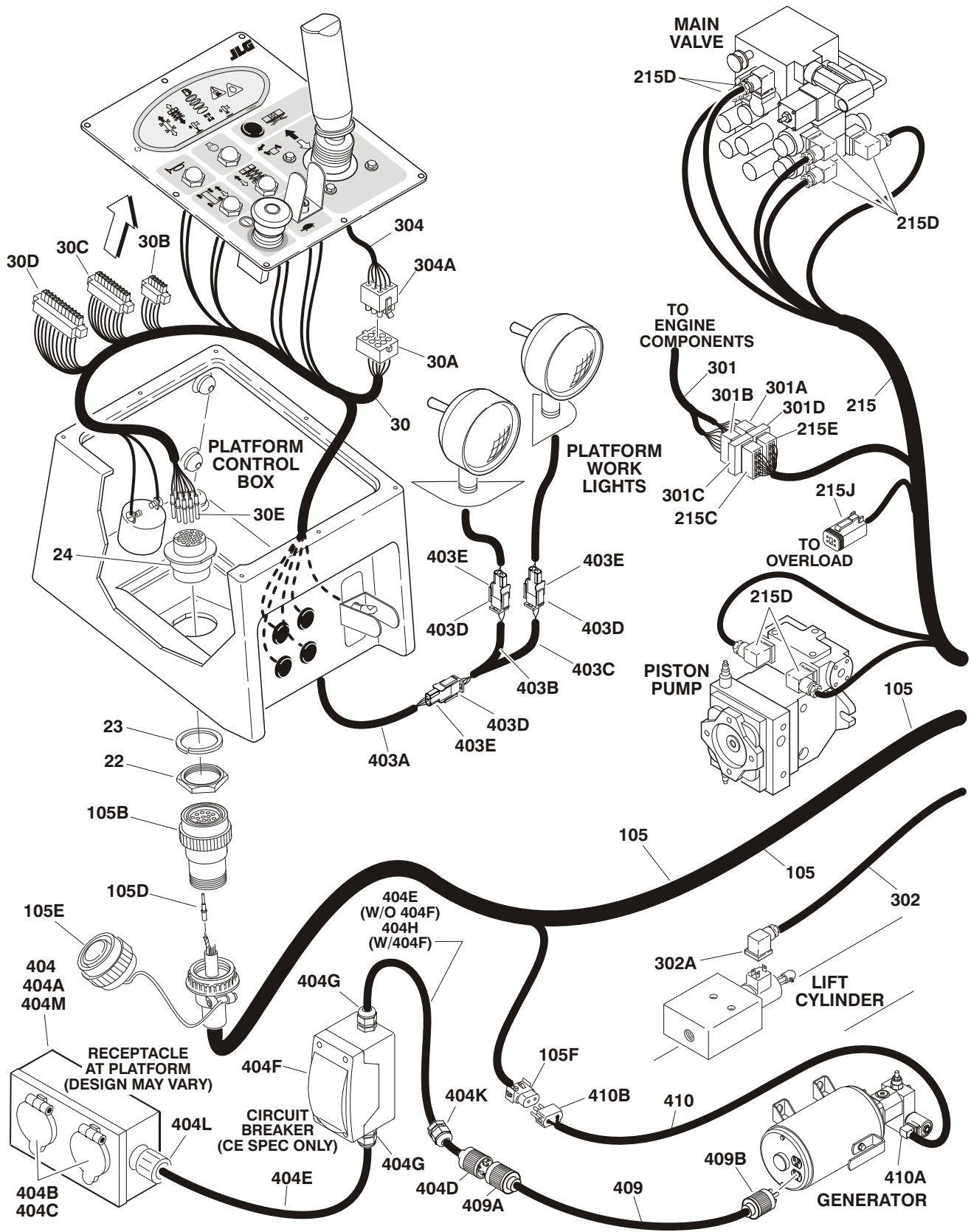
SECTION 7 ELECTRICAL

FIGURE 7-7. ELECTRICAL COMPONENTS INSTALLATION (PRIOR TO S/N 0200141689)

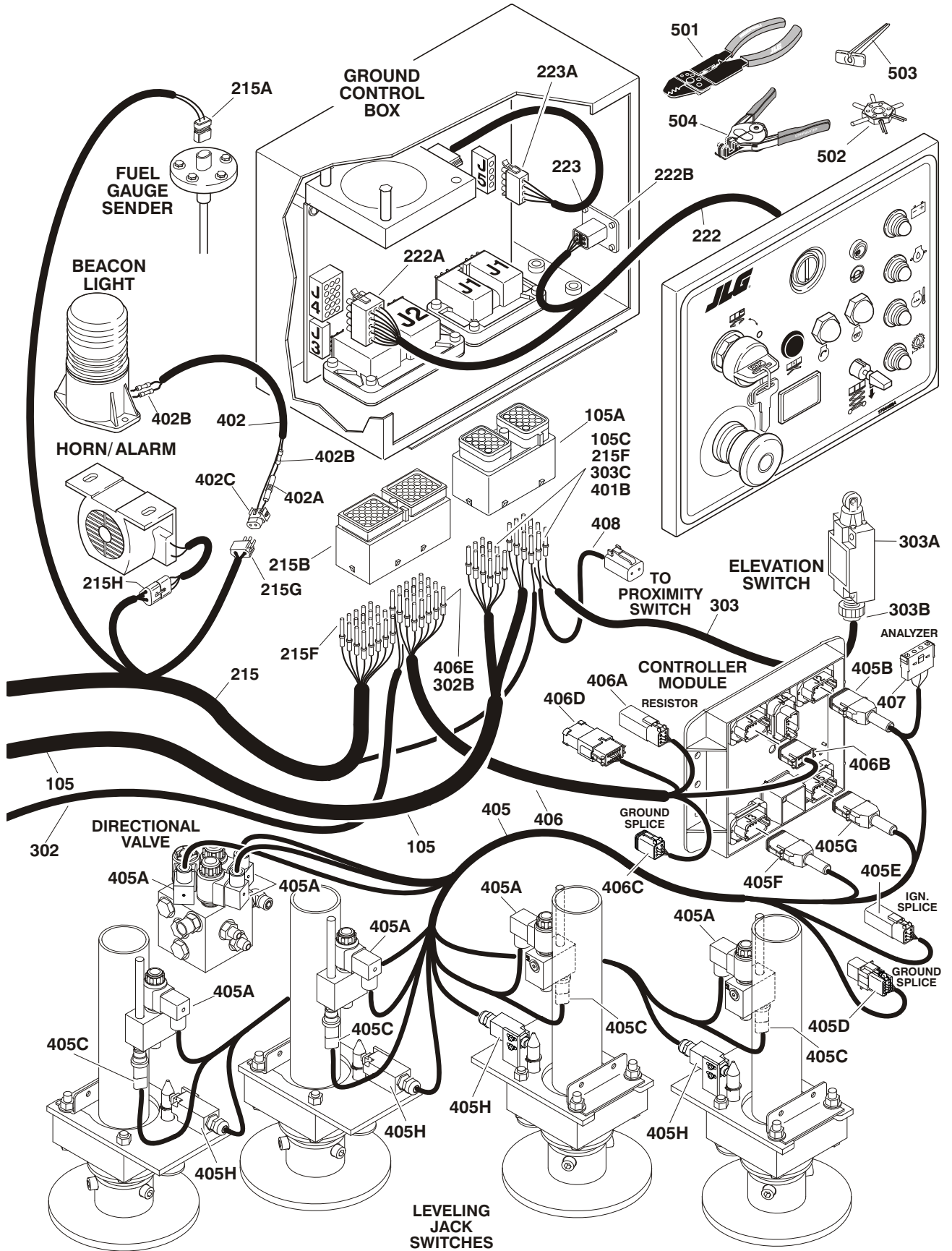
ITEM #	PART NUMBER	QTY.	DESCRIPTION	REV.
405	4922454	2	Harness - Leveling Jacks (N.O. Limit Switches)	D
	1060680	8.5ft/2.6m	Cable, Electrical - 18/2	
405A	Use 4360548	2	Switch, Limit (Prior to S/N 0200115167 was p/n 4360321)	
405B	4460424	1	Connector, Female - 2 Position	
	4460267	2	Pin, Male	
405C		2	Connector, Strain Relief Options:	
	4460428		Prior to S/N 0200115167	
	4460968		S/N 0200115167 to S/N 0200141689	
406	4922455	2	Harness - Leveling Jacks (N.C. Limit Switches)	D
	1060680	10ft/3m	Cable, Electrical - 18/2	
406A	Use 4360548	2	Switch, Limit (Prior to S/N 0200115167 was p/n 4360321)	
406B	4460320	1	Plug, Male - 2 Position	
	4460268	2	Socket, Female	
406C		2	Connector, Strain Relief Options:	
	4460428		Prior to S/N 0200115167	
	4460968		S/N 0200115167 to S/N 0200141689	
407	4922456	1	Harness, Connecting - Leveling Jacks	B
	1060680	28ft/8.5m	Cable, Electrical - 18/2	
407A	4460424	2	Connector, Female - 2 Position	
	4460267	4	Pin, Male	
407B	4460320	2	Plug, Male - 2 Position	
	4460268	4	Socket, Female	
407C	4460465	3	Socket, Female	
408	1060882	1	Generator AC Cord Assembly	A
	1060308	10ft/3m	Cable, Electrical 12/3	
408A	4460779	1	Receptacle, Female	
408B	4460858	1	Plug, Male	
409	4922453	1	Harness, Generator	A
409A	4460449	1	Connector, DIN	
409B	4460320	1	Connector, Male - 2 Position	
	4460268	2	Socket, Female	
		Ref.	TOOLS	
501	7002821	1	Crimper (For Wire to Pin/Socket Connections)	
502	7002823	1	Extractor (For Removal of Pin/Socket from Connectors)	
503	4460467	1	Extractor, Pin (Blue 16-18 Gauge) (For Removal of Pin/Socket from Connectors)	
	4460510	1	Extractor, Pin (Yellow 12-14 Gauge) (For Removal of Pin/Socket from Connectors)	
504	7002828	1	Stripper, Wire	

SECTION 7 ELECTRICAL

FIGURE 7-8. ELECTRICAL COMPONENTS INSTALLATION (S/N 0200141689 TO PRESENT)



SECTION 7 ELECTRICAL



SECTION 7 ELECTRICAL

FIGURE 7-8. ELECTRICAL COMPONENTS INSTALLATION (S/N 0200141689 TO PRESENT)

ITEM #	PART NUMBER	QTY.	DESCRIPTION	REV.
		Ref.	CONSOLE BOX COMPONENTS	
1 to 21	Not Used			
22	4460470	1	Nut, Terminal	
23	4460471	1	Lockwasher, Terminal	
24	4460480	1	Connector, Terminal	
25 to 29	Not Used			
30		1	Harness, Console Box Options:	
	4922391	1	Diesel without Leveling Jacks & Generator	D
	4922437	1	Diesel with Leveling Jacks Only	D
	4922447	1	Diesel with Generator Only	E
	4922446	1	Diesel with Leveling Jacks & Generator	D
	4922391	1	Gas Dual Fuel without Leveling Jacks & Generator Prior to S/N 0200200647	D
	4923530	1	Gas Dual Fuel without Leveling Jacks & Generator S/N 0200200647 to Present	B
	4922437	1	Gas Dual Fuel with Leveling Jacks Only Prior to S/N 0200200647	D
	4923531	1	Gas Dual Fuel with Leveling Jacks Only S/N 0200200647 to Present	B
	4922447	1	Gas Dual Fuel with Generator Only Prior to S/N 0200200647	E
	4923532	1	Gas Dual Fuel with Generator Only S/N 0200200647 to Present	A
	4922446	1	Gas Dual Fuel with Leveling Jacks & Generator Prior to S/N 0200200647	D
	4923533	1	Gas Dual Fuel with Leveling Jacks & Generator S/N 0200200647 to Present	AA
	3990010	1	Diode	
30A	4460266	1	Receptacle - 9 Pin	
	4460267	8	Pin, Male	
30B	4460817	1	Plug, Male - 5 Position	
30C	4460818	1	Plug, Male - 10 Position	
30D	4460819	1	Plug, Male - 11 Position	
30E	4460465	A/R	Socket, Female	
	0259803	Ref.	PLATFORM CABLE INSTALLATION	B
101	0362801	3	Bar, Cable Rod (Not Shown)	
102	3450404	6	Pin, Cotter (Not Shown)	
103	4740480	6	Washer, Plastic Insert (Not Shown)	
104	4711600	6	Flatwasher 3/8in Thin (Not Shown)	
105	4922379	1	Platform Cable Assembly	C
	1060815	64.8ft/19.8m	Cable, 18 Conductors	
	4460473	1	Clamp, Cable	
105A	4460465	16	Socket, Female	
105B	4460481	1	Plug, Male-23 Position	
105C	4460812	1	Plug, Male-24 Position	
105D	4460464	18	Pin, Male	
105E	4460468	1	Cap, Dust	
105F	4460424	1	Plug, Male - 2 Position	
	4460267	2	Pin, Male	

SECTION 7 ELECTRICAL

FIGURE 7-8. ELECTRICAL COMPONENTS INSTALLATION (S/N 0200141689 TO PRESENT)

ITEM #	PART NUMBER	QTY.	DESCRIPTION	REV.
		Ref.	GROUND CONTROL BOX ASSEMBLY AND INSTALLATIONS	
201 to 214	Not Used			
215	4923295	1	Harness, Engine and Valve	D
	3990010	1	Diode (Not Shown)	
215A	4460834	1	Plug, Male - 2 Position	
	4460845	2	Terminal	
215B	4460814	1	Connector, Female - 40 Position	
215C	4460828	1	Connector, Female - 8 Position (White)	
	4460829	7	Terminal, Female	
215D	4460449	7	Connector, DIN without Diode	
215E	4460827	1	Connector, Female - 8 Position (Yellow)	
	4460829	14	Terminal, Female	
215F	4460465	A/R	Socket, Female	
215G	4460424	1	Plug, Male - 2 Position	
	4460267	2	Pin, Male	
215H	4460539	1	Connector, Female - 2 Position	
	4460465	3	Socket, Female	
215J	4460884	1	Connector, Female - 4 Position	
	4460465	4	Socket, Female	
	3990010	1	Diode, 6 Amp	
216 to 221	Not Used			
222		1	Harness, Ground Control Box Options:	
	4923293		Diesel Machines S/N 0200141689 to S/N 0200200647	A
	4923296		Dual Fuel Machines S/N 0200141689 to S/N 0200200647	A
	1001112908		Dual Fuel Machines S/N 0200200647 to Present	A
222A	4460434	1	Plug, Male - 15 Position	
	4460268	13	Socket, Female	
222B	4460885	1	Plug, Female - 4 Position (Not used for this application)	
	4460464	4	Socket, Female	
223	Not Available	1	Harness, Tilt (Part of Dual Axis Tilt Sensor p/n 4000006)	
223A	4460321	1	Plug, Male - 6 Position	
	4460267	4	Pin, Male	
		Ref.	STANDARD HARNESS COMPONENTS	
301	7023183	1	Harness, Engine (Refer to Kubota Dealer)	
301A	7023179	1	Plug, Male - 8 Position (Yellow)	
	7023182	8	Pin, Male	
301B	7023178	1	Plug, Male - 8 Position (White)	
	7023182	8	Pin, Male	
301C	7023180	1	Bulkhead, Electrical Connector (White)	
301D	7023181	1	Bulkhead, Electrical Connector (Yellow)	
302	4922428	1	Harness, Lift Down	
	1060680	16.5ft/5m	Cable, Electrical - 18/2	
302A	4460499	1	Connector, DIN	
302B	4460465	2	Socket, Female	

SECTION 7 ELECTRICAL

FIGURE 7-8. ELECTRICAL COMPONENTS INSTALLATION (S/N 0200141689 TO PRESENT)

ITEM #	PART NUMBER	QTY.	DESCRIPTION	REV.
303	4922630	1	Elevation Switches Harness	B
	1060680	9ft/2.7m	Cable, Electrical - 18/2	
303A	Use 4360548	2	Switch, Limit	
303B	4460968	2	Connector, Strain Relief	
303C	4460465	2	Socket, Female	
304	Not Available	1	Harness, Controller (Part of Electrical Assembly)	
304A	4460265	1	Plug, Male - 9 Position	
	4460268	8	Socket, Female	
		Ref.	OPTIONAL HARNESS COMPONENTS	
401	Not Used			
402	4922439	1	Beacon Harness	B
	1060680	6ft/1.8m	Cable, Electrical - 18/2	
402A	2400056	1	Fuse - 5 Amp	
	4460044	1	Fuseholder	
402B	4460248	3	Terminal, Butt	
402C	4460268	2	Socket, Female	
	4460320	1	Plug, Male - 2 Position	
403	4922564	1	Harness - Worklight	
403A	1060873	1	Cable, Electrical - 16/2	
403B	1060874	1	Cable, Electrical - 16/2	
403C	1060875	1	Cable, Electrical - 16/2	
403D	4460320	3	Plug, Male - 2 Position	
	4460268	6	Socket, Female	
403E	4460424	3	Connector, Female - 2 Position	
	4460267	6	Pin, Male	
404			AC to Platform Receptacle Components Options:	
	0259807	Ref.	110V Receptacle	H
	0259808	Ref.	110V GFI Receptacle	H
	0259809	Ref.	220V Receptacle	I
	0259810	Ref.	220V Receptacle without Box	G
404A		1	Box, Switch Options:	
	0860038		Prior to S/N 0200172932	
	0861731		S/N 0200172932 to Present	
404B		1	Receptacle Options:	
	4460190		110V	
	4460346		110V GFI Receptacle	
	Not Available		220V	
404C		1	Shield, Cover Options:	
	4060092		110V	
	4060700		110V with GFI Receptacle	
	Not Available		220V	
404D		1	Plug, Male Options:	
	4460138		110V	
	Not Available		220V	
404E	1061024	1	Electrical Cable	
404F-404H	Not Required			
404J	1703464	1	Decal - AC Power (Not Shown)	

SECTION 7 ELECTRICAL

FIGURE 7-8. ELECTRICAL COMPONENTS INSTALLATION (S/N 0200141689 TO PRESENT)

ITEM #	PART NUMBER	QTY.	DESCRIPTION	REV.
404K	4460071	1	Connector, Strain Relief	
	3300048	1	Nut, Conduit	
404L	4460071	1	Connector, Strain Relief	
404M	Not Required			
405	4922748	1	Harness - Auto Leveling Jacks	D
405A	4460499	7	Connector, DIN with Diode	
405B	4460836	1	Connector, Female - 12 Position	
	0840055	1	Boot	
405C	4460539	4	Connector, Female - 3 Position	
405D	4460851	1	Connector, Female - 8 Position	
	4460852	1	Connector, Female - 8 Position (Bottom)	
405E	4460892	1	Terminal, 6 Position (Buss Bar)	
	4460894	1	Plug, 6 Position	
405F	4460934	1	Plug, 12 Position	
	0840055	1	Boot	
405G	4460935	1	Plug, 12 Position	
	0840055	1	Boot	
405H	4360548	4	Switch, Limit	
	4460968	4	Connector, Strain Relief	
405J	4460465	50	Socket, Female (Not Shown)	
	4460466	13	Terminal, Plug	
406	4923136	Ref.	Harness, Adapter - Auto Level	2/E
406A	4460894	1	Plug, 6 Position	
	3730124	3	Resistor, 300 OHM	
	4460899	1	Terminal, 6 Position	
	4460465	6	Socket, Female	
	4460464	6	Pin, Male	
406B	4460933	1	Plug, 12 Position	
	4460465	3	Socket, Female	
406C	4460892	1	Terminal, 6 Position (Buss Bar)	
	4460894	1	Plug, 6 Position	
	4460465	5	Socket, Female	
406D	4460933	1	Plug, 12 Position	
	4460465	12	Socket, Female	
	4460898	1	Plug, 12 Position (4 Buss Bar)	
406E	4460465	4	Socket, Female	
407	4923135	Ref.	Harness, Analyzer - Auto Level	B
	4060128	1ft.0.3m	Cable, Control	
	4460761	1	Housing, Female 4 Position	
	4460227	3	Pin, Male	
	4460465	3	Socket, Female	
408	4923137	Ref.	Harness, Proximity	A
	1060902	8ft/2.4m	Cable, Electrical 18/2	
	4460465	4	Socket, Female	
	4460891	1	Housing, 2 Position	
409	1060882	1	Generator AC Cord Assembly	A
	1060308	10ft/3m	Cable, Electrical 12/3	
409A	4460779	1	Receptacle, Female	
409B	4460858	1	Plug, Male	

SECTION 7 ELECTRICAL

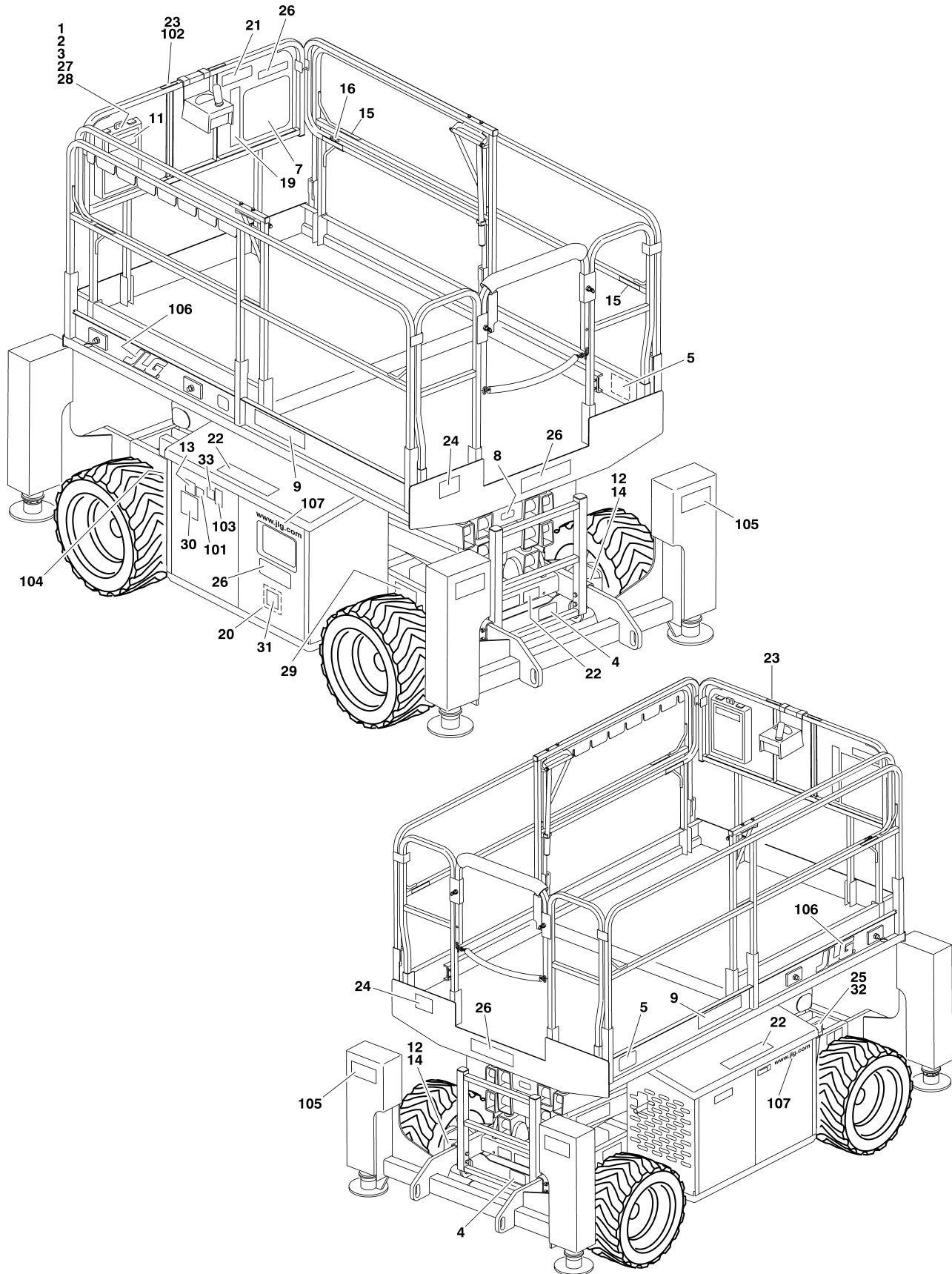
FIGURE 7-8. ELECTRICAL COMPONENTS INSTALLATION (S/N 0200141689 TO PRESENT)

ITEM #	PART NUMBER	QTY.	DESCRIPTION	REV.
410	4922453	1	Harness, Generator	A
410A	4460449	1	Connector, DIN	
410B	4460320	1	Connector, Male - 2 Position	
	4460268	2	Socket, Female	
		Ref.	TOOLS	
501	7002821	1	Crimper (For Wire to Pin/Socket Connections)	
502	7002823	1	Extractor (For Removal of Pin/Socket from Connectors)	
503	4460467	1	Extractor, Pin (Blue 16-18 Gauge) (For Removal of Pin/Socket from Connectors)	
	4460510	1	Extractor, Pin (Yellow 12-14 Gauge) (For Removal of Pin/Socket from Connectors)	
504	7002828	1	Stripper, Wire	

SECTION 8 DECALS

SECTION 8 DECALS

FIGURE 8-1. DECAL INSTALLATION (ANSI SPEC)



SECTION 8 DECALS

FIGURE 8-1. DECAL INSTALLATION (ANSI SPEC)

ITEM #	PART NUMBER	QTY.	DESCRIPTION	REV.
	0259792	Ref.	DECAL INSTALLATION	H
1	0641405	4	Bolt 1/4in-20NC x 5/8in	
2	0860520	1	Box, Manual Storage	
3	1060279	1	Cable, Lanyard	
4	1702153	1	Decal - Inspection	
5	Not Available	1	Decal - Bar Code (Prior to S/N 0200213363)	
6	Not Used			
7	1703816	1	Decal - Danger/Warning	
8	1704138	2	Decal - Safety Prop	
9	1704529	2	Decal - 260MRT	
10	Not Used			
11		1	Decal - Manual Reference Options: Prior to S/N 0200102883 S/N 0200102883 to Present	
	1703788			
	1701509			
12	1703811	4	Decal - Lifting Lugs	
13	1703812	1	Decal - Hydraulic Oil	
14	1703814	4	Decal - Tie Down	
15	1704277	8	Decal - Attach Lanyard Here	
16	1703819	1	Decal - Directional Arrow	
17	1703822	1	Decal - Manual Descent (Not Shown)	
18	Not Used			
19	1704480	1	Decal - Legend	
20	1704556	1	Decal - Towing/Winching/Tow Speed	
21	1703696	1	Decal - Gradeability	
22	1703818	4	Decal - Warning Crushing Hazard/Danger Electrocution	
23	1703821	1	Decal - Control Box Location	
24	3251813	1	Decal - USA	
25	Not Available	1	Nameplate - Serial Number	
26	3252689	3	Nameplate - Capacity	
27	3311405	4	Locknut 1/4in-20NC	
28	4711400	8	Flatwasher 1/4in Thin	
29	1704559	4	Decal - Maximum Tire Load	
30	1704412	1	Decal - Hydraulic Oil	
31		1	Decal - Patent Options: Prior to S/N 0200210878 S/N 0200210878 to Present	
	1700584			
	1001131270			
32	2080057	4	Fastener, Amtak	
33	1001108923	1	Decal - Fuel Low Sulfur	
		A/R	Decal Kit Options: Master Kit (Includes Items 11-16) Multi-Color Kit (Includes Items 19-23)	5 7
	2901912	1		
	2901914	1		

SECTION 8 DECALS

FIGURE 8-1. DECAL INSTALLATION (ANSI SPEC) (CONTINUED)

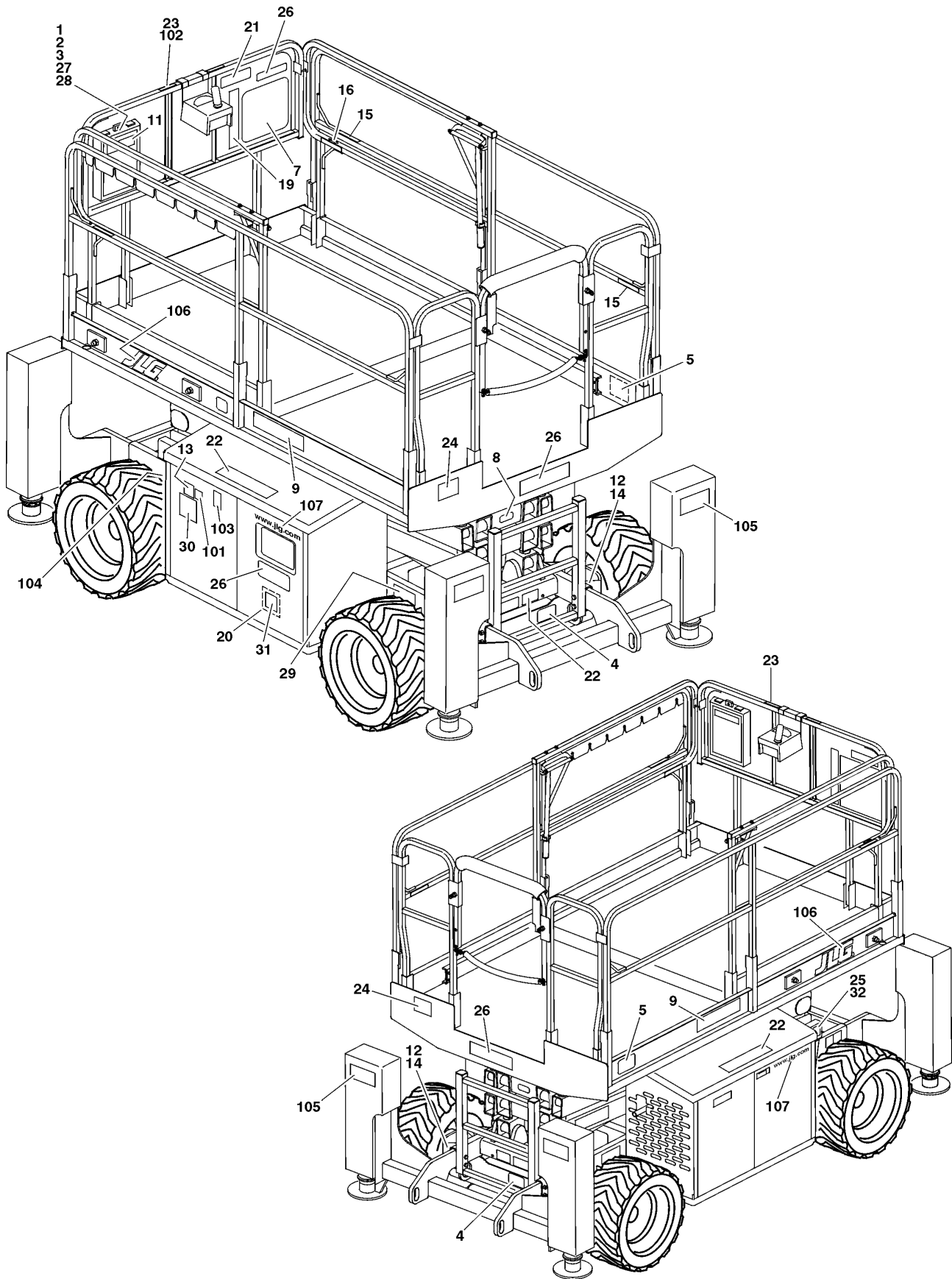
ITEM #	PART NUMBER	QTY.	DESCRIPTION	REV.
		Ref.	OPTIONAL DECAL INSTALLATIONS	
101	1702788	1	Decal - Biodegradable Oil (Optional)	
102	1702961	1	Decal - Warning Prop. 65 Options (ANSI California Spec Only): Dual Fuel Machines	
	1702962		Diesel Machines	
103	1701542	1	Decal - Fuel Options: Dual Fuel Machines	
	1701505		Diesel Machines	
104	1700818	1	Decal - LP Gas (Dual Fuel Machines Only)	
105	1701214	8	Decal - Outrigger Warning -----	
	0270262	Ref.	JLG Decals Installation	B
106	1702773	3	Decal - JLG	
107	1704885	3	Decal - www.jlg.com	

FIGURE 8-1. DECAL INSTALLATION (ANSI SPEC) (CONTINUED)

ITEM #	PART NUMBER	QTY.	DESCRIPTION	REV.

SECTION 8 DECALS

FIGURE 8-2. DECAL INSTALLATION (ANSI EXPORT SPEC)



SECTION 8 DECALS

FIGURE 8-2. DECAL INSTALLATION (ANSI EXPORT SPEC)

ITEM #	PART NUMBER	QTY.	DESCRIPTION	REV.
		Ref.	DECAL INSTALLATIONS	
	0259795	Ref.	Brazilian Spec (Dual Language -Portuguese/ Spanish)	G
		Ref.	CSA Spec Options: (Dual Language - English/French)	
	0259793	Ref.	Prior to S/N 0200105332	7
	0272257	Ref.	S/N 0200105332 to Present	C
	0259794	Ref.	Latin American Spec (Dual Language -English/Spanish)	G
1	0641405	4	Bolt 1/4in-20NC x 5/8in	
2	0860520	1	Box, Manual Storage	
3	1060279	1	Cable, Lanyard	
4		1	Decal - Inspection Options: (Not Shown)	
	1704008		Brazilian Spec	
	1704006		CSA Spec (Prior to S/N 0200205401)	
	1704007		Latin American Spec (Prior to S/N 0200205401)	
5	Not Available	1	Decal - Bar Code (Prior to S/N 0200213363)	
6	Not Used			
7		1	Decal - Danger/Warning Options:	
	1704699		Brazilian Spec	
	1704684		CSA Spec	
	1704691		Latin American Spec	
8	1704138	2	Decal - Safety Prop	
9	1704529	2	Decal - 260MRT	
10	Not Used			
11		1	Decal - Manual Reference Options:	
	1703788		Prior to S/N 0200102883	
	1701509		S/N 0200102883 to Present	
12	1703811	4	Decal - Lifting Lugs	
13	1703812	1	Decal - Hydraulic Oil	
14	1703814	4	Decal - Tie Down	
15	1704277	6	Decal - Attach Lanyard Here	
16	1703819	1	Decal - Directional Arrow	
17	1703822	1	Decal - Manual Descent (Not Shown)	
18	Not Used			
19		1	Decal - Legend Options:	
	1704700		Brazilian Spec	
	1704685		CSA Spec	
	1704692		Latin American Spec	
20		1	Decal - Towing/Winching/Tow Speed Options:	
	1704623		Brazilian Spec	
	1704688		CSA Spec	
	1704695		Latin American Spec	
21		1	Decal - Gradeability Options:	
	1704748		Brazilian Spec	
	1704597		CSA Spec	
	1704598		Latin American Spec	

SECTION 8 DECALS

FIGURE 8-2. DECAL INSTALLATION (ANSI EXPORT SPEC) (CONTINUED)

ITEM #	PART NUMBER	QTY.	DESCRIPTION	REV.
22		4	Decal - Warning Crushing Hazard/Danger Electrocution Options: Brazilian Spec CSA Spec Latin American Spec	
	1704701			
	1704686			
	1704693			
23		1	Decal - Control Box Location Options: Brazilian Spec CSA Spec Latin American Spec	
	1704702			
	1704687			
	1704694			
24	3251813	1	Decal - USA	
25	Not Available	1	Nameplate - Serial Number	
26	3252689	3	Nameplate - Capacity	
27	3311405	4	Locknut 1/4in-20NC	
28	4711400	8	Flatwasher 1/4in Thin	
29	1704559	4	Decal - Maximum Tire Load (Prior to S/N 0200136298)	
30	1704412	1	Decal - Hydraulic Oil	
31		1	Decal - Patent Options: Brazilian Spec (Prior to S/N 0200210878) CSA Spec Options: Prior to S/N 0200210878 S/N 0200210878 to Present Latin American Spec (Prior to S/N 0200210878)	
	1702573			
	1700584			
	1001131270			
	1702573			
32	2080057	8	Fastener, Amtak	
33		1	Nameplate - CSA (Not Shown - CSA/French Only) Prior to S/N 0200105332 S/N 0200105332 to Present	
	3252191			
	1705303			
		A/R	Decal Kit Options: Master Kit (Includes Items 11-16) Multi-Color Kit Options (Includes Items 19-23): Brazilian Spec CSA Spec Latin American Spec	5 4 4 4
	2901912	1		
	2901926	1		
	2901938			
	2901939			
		Ref.	OPTIONAL DECAL INSTALLATIONS	
101	1702788	1	Decal - Biodegradable Oil (Optional)	
102		1	Decal - Warning Prop. 65 Options (ANSI California Spec Only): Dual Fuel Machines Diesel Machines	
	1702961			
	1702962			
103		1	Decal - Fuel Options: Dual Fuel Machines Diesel Machines	
	1701542			
	1701505			
104		1	Decal - LP Gas Options (Dual Fuel Machines Only): English Language English/Spanish Language English/French Language	
	1700818			
	1702720			
	1704271			

SECTION 8 DECALS

FIGURE 8-2. DECAL INSTALLATION (ANSI EXPORT SPEC) (CONTINUED)

ITEM #	PART NUMBER	QTY.	DESCRIPTION	REV.
105	1701214 1704698 1704690 1704697	8	Decal - Outrigger Warning Options: English Language Brazilian Spec CSA Spec Latin American Spec -----	
	0270262	Ref.	JLG Decals Installation	B
106	1702773	3	Decal - JLG	
107	1704885	3	Decal - www.jlg.com	

SECTION 8 DECALS

FIGURE 8-2. DECAL INSTALLATION (ANSI EXPORT SPEC) (CONTINUED)

ITEM #	PART NUMBER	QTY.	DESCRIPTION	REV.

SECTION 9 RECOMMENDED SERVICE PARTS STOCK

MODEL 260MRT

The following list will service one machine (built to current production per date on the front cover) with emergency repair parts which can be installed in the field. Parts from the list should be replaced when inventory is depleted to keep service parts stock supplied. For further information, contact your JLG dealer or the JLG Industries Parts Department.

Part Number	Description	Qty./Machine
STANDARD PARTS		Ref.
2120210	Element (Figure 2-1)	4
7012944	Coil (Figure 2-2)	1
7021376	Coil (Figure 2-2)	1
4360070	Breaker, Circuit 15Amp (Figure 2-11)	1
4360328	Switch, Toggle (Figure 2-11)	1
4360387	Switch, Yellow Push Button (Figure 2-11 & 4-4)	1
4360469	Switch, Key (Figure 2-11)	1
2860030	Key, Replacement (Figure 2-11)	1
4360475	Switch, E-Stop (Figure 2-11 & 4-4)	1
1001102811	Switch Kit, Dual Axis (Figure 2-11)	1
1001101076	Latch Kit, Snap (Figure 4-2)	1
2940074	Latch (Figure 4-3)	1
4360482	Switch, Toggle (Figure 4-4)	1
4360483	Switch, Toggle (Figure 4-4)	1
1600403	Drive/Steer Controller (Figure 4-6)	1
3990010	Diode (Figure 7-8)	2
2400056	Fuse - 5Amp (Figure 7-8)	2
VARIABLE PARTS		Ref.
4360548	Switch, Limit (Figure 1-6) (Auto Leveling Jacks)	1
7024501	Coil (Figure 1-8) (Auto Leveling Jacks)	1
2400070	Fuse - 20Amp (Dual Fuel) (Figure 2-5)	2
7017901	Switch, Oil (Dual Fuel) (Figures 2-5 & 2-6)	1
7023105	Coil, Ignition (Dual Fuel) (Figure 2-5)	1
7017980	Filter, Oil (Dual Fuel) (Figure 2-5)	12
7017992	Filter, Fuel (Dual Fuel) (Figure 2-5)	4
7023153	Element, Breather (Dual Fuel) (Figure 2-5)	4
3740049	Relay (Diesel) (Figure 2-6 & 2-13)	1
7023177	Solenoid, Stop (Diesel) (Figure 2-6)	1
7017923	Filter, Oil (Diesel) (Figure 2-6)	12
7017901	Switch, Oil (Diesel) (Figure 2-6)	1
7017950	Element, Fuel (Diesel) (Figure 2-6)	4
7017938	Element, Breather (Diesel) (Figure 2-6)	4
7010635	Solenoid (Generator) (Figure 2-13)	1
7012943	Coil (Generator) (Figure 2-13)	1
4360548	Switch, Limit (Figure 7-8)	1

SECTION 9 RECOMMENDED SERVICE PARTS STOCK

MODEL 260MRT

The following list will service one machine (built to current production per date on the front cover) with emergency repair parts which can be installed in the field. Parts from the list should be replaced when inventory is depleted to keep service parts stock supplied. For further information, contact your JLG dealer or the JLG Industries Parts Department.

Part Number	Description	Qty./Machine

SECTION 10 SPECIAL OPTIONS

Note: This list is to accommodate machines ordered with special equipment. Options may not be applicable to all models. For more specific parts information contact JLG Parts Department.

FIG&ITEM#	PART NUMBER	QTY.	DESCRIPTION	REV.
		Ref.	MISCELLANEOUS SPECIAL OPTIONS:	
	0274537	Ref.	AIR LINE INSTALLATION 1/2in	
	100110710	Ref.	ARMS INSTALLATION (LOAD SENSE) (ANSI EXPORT)	
	0259815	Ref.	BEACON LIGHT INSTALLATION	
		Ref.	COLD WEATHER PACKAGE	
	Not Available	Ref.	Diesel Machines	
	1001112912	Ref.	Gas Dual Fuel Machines	
		Ref.	CYLINDER BELLOWS INSTALLATION	
	0460209	1	Steer Cylinder	
	0460210	1	Lift Cylinder	
		Ref.	DECAL INSTALLATIONS	
	1702788	Ref.	Biodegradable Oil Decal	
	0274544	Ref.	Fedex Decals Installation	
	0274531	Ref.	Head & Enquist Equipment L.L.C (H&E) Decals Installation	
	0273255	Ref.	Hertz Decals Installation	
	0273375	Ref.	Nations Rent Decals Installation	
		Ref.	Prop 65 Warning Decals Installation	
	1702962	1	Decal - Diesel Machines	
	1702961	1	Decal - Dual Fuel Machines	
	0270545	Ref.	Sunbelt Decals Installation	
	0274178	Ref.	Sunstate Equipment Decals Installation	
	1001151163	Ref.	Titan Decals Installation	
		Ref.	United Rentals Decals Installation	
	0270952	Ref.	Prior to S/N 0200109236	
	0271666	Ref.	S/N 0200109236 to Present	
	1001103307	Ref.	UPS Decals Installation	
	1001141642	Ref.	Volvo Decals Installation	
		Ref.	ELECTRICAL CONNECTOR KITS	
	1001148902	Ref.	Amp/Tyco Electrical Connector Kit	
	1001148903	Ref.	Deutsch DT Electrical Connector Kit	
	1001148904	Ref.	Deutsch HD Electrical Connector Kit	
	1001148905	Ref.	Packard Electrical Connector Kit	
	1001148906	Ref.	Various Electrical Connectors Kit	
	0274423	Ref.	ENGINE BLOCK HEATER INSTALLATION(DIESEL ENGINES ONLY)	

SECTION 10 SPECIAL OPTIONS

Note: This list is to accommodate machines ordered with special equipment. Options may not be applicable to all models. For more specific parts information contact JLG Parts Department.

FIG&ITEM#	PART NUMBER	QTY.	DESCRIPTION	REV.
		Ref.	Filter Kits:	
		1	Combined Filter Kit Options (Hydraulic/Air & Fuel/Engine Oil):	
			Kubota (Diesel Engine)	
	1001111691		Machines - Prior to S/N 0200141689	
	1001111710		Machines - S/N 0200141689 to Present	
			Kubota (Gas Engine)	
	2910934		W/Metal Air Cleaner	
	1001150358		W/Plastic Air Cleaner	
		1	Hydraulic/Air Filter Options:	
	1001111666		Machines - Prior to S/N 0200141689	
	1001111671		Machines - S/N 0200141689 to Present	
	1001111681	1	Fuel/Engine Oil Filter	
	0274849	Ref.	FIRE EXTINGUISHER INSTALLATION	
		Ref.	HYDRAULIC FLUIDS	
	2300014	Ref.	Mobil 424	
	2300027	Ref.	Mobil EAL 224H Biodegradeable	
	2300039	Ref.	Exxon UNIVIS HVI 26	
	2300016	Ref.	Mobil DTE 10 Excel 32	
	2300021	Ref.	Union Carbide Ucon HP5046 Fire Resistant	
	0257049	Ref.	PIPE RACKS INSTALLATION	
	0100040	Ref.	SEALANT	
	2901881	Ref.	TIE-STRAPS KIT	
		Ref.	TOOLS FOR SERVICE	
	7002818	1	Crimper (For Wire to Pin/Socket Connections)	
	7002823	1	Extractor (For Removal of Pin/Socket from Connectors)	
	4460467	1	Extractor, Pin (Blue 16-18 Gauge) (For Removal of Pin/Socket	
	4460510	1	Extractor, Pin (Yellow 12-14 Gauge) (For Removal of Pin/Socket	
	7004275	1	Seal Tool (For 1in Diameter Seals)	
	7004276	1	Seal Tool (For 1-1/2in Diameter Seals)	
	7002826	1	Seal Tool (For 2in Diameter Seals)	
	7002820	1	Arbor Set	
	1001137005	1	Software USB Cable Kit	
	0259814	Ref.	WORK LIGHTS INSTALLATION	

SECTION 11 PART NUMBER INDEX

Part Number	Page	Part Number	Page	Part Number	Page	Part Number	Page
0080228	5-9	0259816	1-20	0440228	1-4	0681606	5-3
0100011	1-3, 1-19, 1-23, 1-27, 2-3, 2-12, 2-18, 2-24, 2-45, 2-49, 3-3, 4-3, 4-5, 4-9, 5-3, 5-5, 5-7	0259817	1-20	0440237	1-3	0681610	3-3, 4-3
0100020	1-20, 2-4, 2-23	0259820	4-3	0440241	3-3	0681810	1-3
0100035	5-3, 5-5	0259823	2-3	0440250	3-3	0700614	2-18
0100038	5-3, 5-7	0259829	2-41	0460209	10-1	0700619	4-6, 4-10
0100040	10-2	0259864	2-41	0460210	10-1	0700814	2-18
0100048	2-18, 4-6, 4-10	0259865	3-3, 5-9	0561332	4-3	0840025	2-11, 2-17, 2-23
0100075	6-4, 6-8	0259943	4-9	0561407	1-24	0840026	2-12, 2-17, 2-24
0140001	2-11, 2-23	0259975	1-4	0561474	4-3	0840055	7-33
0140011	4-13	0259976	1-4	0610134	2-41	0860038	7-26, 7-32
0140032	1-20	0259977	1-4	0610135	4-13	0860520	8-3, 8-7
0140044	1-20	0259978	1-4	0610140	2-41	0861315	2-41
0181847	4-13	0270038	2-11	0630476	4-3	0861357	4-13
0182035	4-3	0270039	2-23	0641404	2-43, 2-45, 4-13	0861731	7-32
0200680	3-3	0270063	2-11, 2-12	0641405	2-11, 2-17, 8-3, 8-7	0901870	4-5, 4-9
0200682	3-3	0270064	2-23, 2-24	0641406	2-11, 2-12, 2-17, 2-18, 2-23, 2-43, 2-46, 4-6, 4-9, 4-21	0902421	5-9
0200699	3-3	0270128	4-13	0641407	1-27	0902499	4-13
0200700	3-3	0270198	4-13	0641408	1-20	0902592	2-3
0200701	3-3	0270262	8-4, 8-9	0641418	2-12, 2-18	0902595	2-43
0200702	3-3	0270350	2-49	0641505	2-17	0902597	2-11, 2-17, 2-23
0200703	3-3	0270423	2-41	0641506	2-3, 2-23, 5-9	0902609	1-19
0200704	3-3	0270450	4-13	0641508	1-3, 1-20, 1-23, 1-27, 2-4, 2-23, 2-45, 2-49, 3-3	0902619	2-11
0200728	3-3	0270451	4-13	0641510	3-3, 4-3	0902623	2-12, 2-18
0200729	3-3	0270536	4-13	0641512	1-19	0902624	2-23
0257049	10-2	0270537	4-13	0641516	4-5, 4-9	0902647	2-23
0259616	4-3	0270538	4-13	0641528	1-23	0902648	2-23
0259645	2-41	0270539	4-13	0641605	2-45	0903165	1-27
0259648	1-3	0270543	1-23	0641606	1-3	0903421	4-21
0259654	1-20	0270545	10-1	0641608	1-23, 1-27, 2-3, 2-11, 2-12, 2-17, 2-18, 2-23, 2-24, 2-45, 4-3	0940049	4-3
0259748	4-5	0270952	10-1	0641610	1-19, 2-11, 2-18, 2-23	0940092	4-21
0259752	2-3	0271666	10-1	0641612	2-49	0940094	4-21
0259753	2-45	0272257	8-7	0641620	3-3	0940149	4-21
0259757	1-23, 6-11, 6-16	0272393	1-4	0641622	1-20, 3-3, 4-3	0940178	4-21
0259777	2-11	0273066	4-3	0641636	4-3	0940180	4-21
0259778	2-23	0273068	4-3	0641638	3-3	0962012	5-9
0259780	1-4	0273069	3-3, 5-9	0641676	2-11, 2-17, 2-23, 4-5, 4-9	0962220	1-4, 3-3
0259781	1-4	0273136	1-20	0641812	2-12, 2-18, 2-24	0962234	1-4, 3-3
0259783	2-42	0273255	10-1	0641816	1-23, 1-27	1001091587	2-11, 2-18
0259784	2-42	0273375	10-1	0641820	1-23, 2-4	1001093121	6-7
0259785	2-42	0273848	1-27	0641824	1-20, 1-27	1001094373	2-46
0259786	2-43	0274178	10-1	0641828	1-23, 1-27	1001096738	2-24, 2-25
0259792	8-3	0274337	1-19	0641838	1-20	1001096739	2-23
0259793	8-7	0274423	10-1	0641844	1-20	1001096740	2-23, 2-24
0259794	8-7	0274531	10-1	0642024	1-3	1001096741	2-23
0259795	8-7	0274537	10-1	0642028	1-3	1001097458	4-10
0259803	7-24, 7-30	0274544	10-1	0651406	2-3	1001100031	1-3
0259805	1-19	0274650	2-3	0681506	5-3	1001100032	1-4
0259807	7-26, 7-32	0274654	2-43	0681508	4-3	1001100370	1-4
0259808	7-26, 7-32	0274655	2-42	0681524	3-3	1001100371	1-4
0259809	7-26, 7-32	0274656	2-42			1001100372	1-4
0259810	7-26, 7-32	0274657	2-42			1001100373	1-4
0259811	1-20	0274849	10-2			1001101076	4-5, 9-1
0259814	10-2	0275049	4-21			1001102512	2-42
0259815	10-1	0320015	5-3			1001102811	2-42, 9-1
		0362801	7-24, 7-30			1001103307	10-1
		0362931	2-11, 2-17			100110710	10-1
		0362937	2-45			1001107725	2-12, 2-17
		0400002	2-11, 2-17, 2-23			1001108923	8-3
		0400003	2-11, 2-17, 2-23			1001109533	1-20

SECTION 11 PART NUMBER INDEX

Part Number	Page	Part Number	Page	Part Number	Page	Part Number	Page
1001111666	10-2	1060817	2-11, 2-17, 2-23	1703811	8-3, 8-7	1780315	2-45
1001111671	10-2	1060818	5-9	1703812	2-3, 8-3, 8-7	1780323	2-45
1001111681	10-2	1060873	7-32	1703814	8-3, 8-7	1810013	2-41
1001111691	10-2	1060874	7-32	1703816	8-3	1810014	2-41
1001111710	10-2	1060875	7-32	1703818	8-3	1810015	4-13
1001112908	2-42, 7-31	1060882	2-49, 7-27, 7-33	1703819	8-3, 8-7	1810016	4-13
1001112909	2-41	1060902	7-33	1703821	8-3	1810017	4-13
1001112912	10-1	1061024	7-26, 7-32	1703822	8-3, 8-7	1810019	4-13
1001115331	2-12	1100110	1-19	1704006	8-7	1810020	4-13
1001118133	2-3	1120108	5-3, 5-5	1704007	8-7	1810021	4-13
1001118580	2-17	1260136	4-5	1704008	8-7	1810022	4-13
1001118607	2-4	1320016	2-23	1704138	8-3, 8-7	1810036	4-13
1001118608	2-3	1320022	2-11, 2-17, 2-23	1704271	8-8	1810043	4-13
1001118769	2-18, 2-19	1320058	2-17	1704277	8-3, 8-7	1810047	4-13
1001118770	2-17	1320220	1-20	1704412	8-3, 8-8	1810048	4-13
1001118771	2-18	1320274	2-11, 2-17, 2-18, 2-23	1704462	2-41	1810140	2-42
1001118772	2-17			1704480	8-3	2000167	2-11, 2-13
1001121853	2-18	1380136	2-3	1704529	8-3, 8-7	2000168	2-24, 2-25
1001121859	2-17	1440322	2-12, 2-18	1704556	8-3	2080053	1-3, 1-23, 1-27, 2-45, 2-49
1001121916	2-18	1600308	4-13, 4-17	1704559	8-3, 8-8	2080057	8-3, 8-8
1001121917	2-18	1600382	2-41	1704574	4-15	2080063	4-5, 4-9
1001122553	2-17	1600386	2-43	1704588	4-13	2080064	4-5, 4-9
1001122554	2-17	1600403	4-13, 4-19, 9-1	1704589	4-13	2080069	4-9
1001127172	2-17	1600457	2-41	1704597	8-7	2110606	1-27
1001128799	2-4	1670970	2-11, 2-17, 2-23	1704598	8-7	2110608	1-28
1001129043	2-4	1670974	2-49	1704623	8-7	2110808	1-28
1001129255	2-17	1671195	1-27	1704624	4-13	2120077	2-12, 2-18
1001130097	2-4	1681283	5-3, 5-5	1704684	8-7	2120146	2-3
1001131270	8-3, 8-8	1682723	5-3	1704685	8-7	2120150	2-3
1001131324	2-17	1683054	5-7	1704686	8-8	2120172	6-4, 6-8
1001131391	2-17	1683887	3-3, 5-9	1704687	8-8	2120209	2-3
1001133497	2-17	1683957	1-3, 5-13	1704688	8-7	2120210	2-3, 9-1
1001134212	2-46	1683966	1-23, 5-3	1704690	8-9	2130606	1-28, 6-13
1001135084	2-45, 2-46	1683967	5-3, 5-5	1704691	8-7	2170506	6-13
1001135142	2-45	1684206	5-5	1704692	8-7	2170508	6-13
1001137005	10-2	1684217	1-23, 5-5	1704693	8-8	2180387	1-20
1001141642	10-1	1684220	1-27, 5-7	1704694	8-8	2180389	1-20
1001142984	2-17	1684221	5-7	1704695	8-7	2180467	2-4, 2-11, 2-23
1001144220	2-17	1684223	5-7	1704697	8-9	2202333	2-3
1001148902	10-1	1700584	8-3, 8-8	1704698	8-9	2220237	1-28
1001148903	10-1	1700818	8-4, 8-8	1704699	8-7	2220238	1-28
1001148904	10-1	1701214	1-27, 8-4, 8-9	1704700	8-7	2220250	2-5, 2-11, 2-23
1001148905	10-1	1701502	2-3	1704701	8-8	2220290	1-21
1001148906	10-1	1701503	2-3	1704702	8-8	2220371	5-9, 6-3, 6-4, 6-7, 6-8, 6-11, 6-13
1001150358	10-2	1701505	8-4, 8-8	1704748	8-7	2220372	1-28, 6-3, 6-7
1001151163	10-1	1701509	8-3, 8-7	1704786	1-23, 1-27	2220373	6-15
1001155260	1-3, 1-4	1701542	8-4, 8-8	1704885	8-4, 8-9	2220377	6-4, 6-8
1001157976	2-24, 2-25	1702153	8-3	1705303	8-8	2220385	6-4, 6-8, 6-15
1001157977	2-23	1702573	8-8	1705711	4-14	2220399	1-21
1001157978	2-23, 2-24	1702720	8-8	1705712	4-14	2220415	6-4, 6-8
1001157980	2-23	1702738	1-4	1705729	2-41	2220451	6-4, 6-8
1060279	8-3, 8-7	1702773	8-4, 8-9	1705947	4-14	2220472	6-4, 6-8
1060308	7-26, 7-27, 7-33	1702788	8-4, 8-8, 10-1	1705948	4-14	2220473	5-9, 6-4, 6-7, 6-8, 6-11
1060461	7-26	1702961	8-4, 8-8, 10-1	1705976	4-14		
1060680	1-19, 7-25, 7-26, 7-27, 7-31, 7-32	1702962	8-4, 8-8, 10-1	1706130	4-14		
1060808	4-5, 4-9	1703175	4-3	1706762	4-14		
1060815	7-24, 7-30	1703464	7-26, 7-32	1706763	4-14		
1060816	2-11, 2-17, 2-23	1703696	8-3	1780312	2-45		
		1703788	8-3, 8-7	1780313	2-45		

SECTION 11 PART NUMBER INDEX

Part Number	Page	Part Number	Page	Part Number	Page	Part Number	Page
2220578	6-4, 6-8	2716960	6-13	2901881	10-2		3-3, 4-3, 4-5, 4-9
2220579	6-4	2717235	6-13	2901912	8-3, 8-8	3311601	2-3
2220600	6-4, 6-8, 6-15	2720058	2-24	2901914	8-3	3311605	1-19, 1-20, 1-27, 2-3, 2-11, 2-17, 2-18, 2-23, 2-24, 2-45, 2-49, 3-3, 4-3, 4-5, 4-9
2220603	6-3, 6-7	2720271	2-24	2901926	8-8		
2220619	6-4, 6-8, 6-15	2720460	2-11, 2-18	2901938	8-8		
2220621	6-4	2720461	2-11, 2-18	2901939	8-8		
2220622	6-4, 6-7	2720464	1-20	2901941	5-3, 5-5		
2220635	6-3, 6-4, 6-8, 6-11, 6-13	2720465	2-24	2902023	5-3	3311805	1-20, 1-23, 1-27, 1-28
2220700	6-15	2720466	2-24	2902038	4-6		
2220738	6-4, 6-8	2752466	6-11	2902039	4-10	3312005	1-3
2220773	1-21	2752469	6-3, 6-7	2902182	5-7	3321402	5-9
2220819	6-11	2752478	6-3, 6-7, 6-11	2902206	1-24	3322002	1-3
2220827	6-3	2752489	6-3, 6-7	2902213	2-45	3322202	4-3
2220852	6-4, 6-8, 6-15	2752613	6-3, 6-7	2902215	1-4	3340612	4-5
2220865	6-4	2752622	5-9, 6-3, 6-7	2902259	3-4	3340650	5-3
2220869	2-11, 2-23	2752649	6-11	2910479	2-11, 2-17, 2-23	3340866	3-3
2220883	1-24, 1-28, 5-3, 5-5	2752966	6-11	2910934	10-2	3340879	3-3
2220899	6-3, 6-7	2753068	6-13	2920026	2-41, 2-42, 4-15	3340895	4-15
2220906	6-4, 6-8	2753375	6-3, 6-7	2920029	2-41, 4-15	3340904	5-3
2220919	6-4, 6-8	2753376	6-3, 6-7	2940064	4-5	3380660	4-15
2220947	6-4, 6-8	2753377	6-3, 6-7	2940074	4-9, 9-1	3421565	4-5, 4-9
2220948	6-4, 6-8	2753378	6-3, 6-7	2940126	2-45	3422219	4-5, 4-9
2220998	6-4, 6-8	2753379	6-3, 6-7	2940127	4-6, 4-10	3422369	4-5
2221025	6-4, 6-8	2753380	6-3, 6-7	3010088	4-5	3422655	4-3
2221035	6-15	2753381	6-3, 6-7	3020022	3-4	3422709	3-3
2221036	6-4, 6-8	2753382	6-3, 6-7	3160244	1-3, 1-7	3422714	3-3
2221042	6-8	2753383	6-3, 6-7	3160245	1-3, 1-15	3422777	4-3
2221047	2-23	2753384	6-3	3160254	1-3, 1-11	3422803	1-3
2221048	6-3	2753385	6-3	3160255	1-3, 1-17	3422815	3-3
2221049	6-4, 6-8	2753386	6-3	3200453	1-19	3422838	3-3
2221075	6-4, 6-8	2753387	6-3	3251813	8-3, 8-8	3422839	3-3
2221076	6-4, 6-8	2753388	6-3, 6-7	3252191	8-8	3422840	3-3
2221086	6-4, 6-8	2753389	6-3, 6-7	3252689	8-3, 8-8	3422962	4-3
2230024	6-3, 6-7	2753390	6-3, 6-7	3252695	4-14	3431024	1-3
2300014	10-2	2753391	6-3	3271505	4-3	3431032	1-3
2300016	10-2	2753392	6-3, 6-7	3290601	4-6, 4-10	3431036	1-3
2300021	10-2	2753393	6-3, 6-7	3300048	7-33	3431220	1-3
2300027	10-2	2753394	6-3, 6-7	3300151	4-5, 4-9	3440420	1-23
2300039	10-2	2753395	6-3, 6-7	3300281	5-3	3450403	2-12, 2-18
2360523	1-4, 1-5	2753396	6-3	3300356	4-5, 4-9	3450404	7-24, 7-30
2400056	7-26, 7-32, 9-1	2753397	6-3, 6-7	3300409	1-3	3450405	5-9
2400060	2-12, 2-18	2753398	5-9, 6-3, 6-7	3300420	4-6, 4-10	3450406	1-3
2400070	2-12, 2-18, 9-1	2753488	6-11	3300432	4-9	3460319	2-11, 2-18
2420172	2-41	2753496	6-15	3300454	1-27	3460320	2-24
2420190	2-3	2753497	6-15	3300465	5-5	3480092	5-3, 5-5
2460036	2-49	2753503	6-3, 6-7	3300467	4-6, 4-10	3510730	4-3
2540023	1-20	2753504	6-3, 6-7	3300474	1-19	3510767	4-3
2560088	4-5, 4-9	2753505	6-3, 6-7	3310601	4-14	3510791	4-3
2560141	4-13	2753579	6-13	3310801	1-19, 1-23, 2-45	3510797	4-3
2600253	4-9	2753626	6-13	3310805	1-27	3520026	2-41
2600264	2-45	2792402	6-3, 6-16	3311401	2-17, 2-49	3520030	2-42
2600265	2-45	2792431	6-11, 6-16	3311405	1-20, 1-27, 2-11, 2-12, 2-17, 2-18, 2-24, 2-43, 2-45, 2-46, 4-6, 4-10, 4-21, 8-3, 8-8	3520071	1-20
2620029	2-42	2792448	6-15, 6-16			3520072	4-5, 4-9, 4-21
2680480	2-45	2792686	6-13, 6-16			3520080	4-14
2680481	2-45	2792717	6-7, 6-16			3520193	2-42, 4-15
2680493	2-45	2820097	4-5			3536708	5-3
2680494	2-45	2860030	2-42, 9-1	3311501	2-45, 4-3	3537609	4-5, 4-9
2716538	6-13	2900708	2-49	3311505	1-3, 1-19, 1-20, 2-4, 2-17, 2-23, 2-24,	3537619	4-3
		2900770	5-3, 5-5			3539690	2-45

SECTION 11 PART NUMBER INDEX

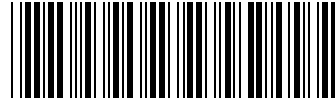
Part Number	Page	Part Number	Page	Part Number	Page	Part Number	Page
3571829	4-5, 4-9	3910612	2-41	4360502	1-19	4460548	7-25
3571862	4-5, 4-9	3910616	2-41	4360518	1-28	4460761	7-33
3571985	2-45	3910804	2-41	4360548	1-19, 7-27, 7-33, 9-1	4460779	7-27, 7-33
3572164	2-11, 2-18	3911008	4-9	4400281	1-21	4460812	7-24, 7-30
3572305	2-45	3911426	4-5	4400421	1-21	4460814	7-24, 7-31
3572324	1-3, 1-23, 1-27	3911428	4-6, 4-9	4400425	2-3, 2-4	4460817	7-24, 7-30
3572325	1-4	3911432	4-5	4400428	2-3	4460818	7-24, 7-30
3572326	1-4, 1-23, 1-27	3911532	4-5, 4-9	4400458	2-3, 2-4	4460819	7-24, 7-30
3572384	1-23, 1-27	3930334	1-19	4420008	4-14	4460824	7-25
3572385	1-23, 1-27	3930820	1-19, 1-23, 1-27	4420037	1-23, 2-4, 2-45, 3-4	4460825	7-25
3572388	1-23, 1-27	3931516	5-7	4420039	1-23, 1-27	4460827	7-25, 7-31
3572430	2-24	3951603	1-19	4420051	1-23, 1-27	4460828	7-24, 7-31
3573513	5-5, 5-7	3960200	5-7	4420052	1-23, 1-27	4460829	7-24, 7-25, 7-31
3600300	2-12, 2-24, 2-29	3960389	2-18	4420068	4-21	4460834	7-24, 7-31
3600301	2-12, 2-24, 2-37	3960483	5-7	4460044	7-26, 7-32	4460836	7-33
3600307	2-12, 2-24	3960525	2-3	4460051	7-26	4460845	7-24, 7-31
3600369	2-12, 2-18, 2-24, 2-37, 2-39	3980003	2-11, 2-23	4460071	7-26, 7-33	4460851	7-33
3600373	2-12, 2-24	3990010	7-24, 7-30, 7-31, 9-1	4460138	7-26, 7-32	4460852	7-33
3600414	2-12, 2-18, 2-24, 2-29, 2-33	4000006	2-42	4460190	7-26, 7-32	4460858	7-27, 7-33
3600415	2-12, 2-18, 2-24	4060092	7-26, 7-32	4460226	4-19	4460884	7-25, 7-31
3641310	4-5	4060128	7-33	4460227	7-33	4460885	7-25, 7-31
3641342	4-5, 4-9	4060700	7-26, 7-32	4460248	7-26, 7-32	4460891	7-33
3641344	4-5, 4-9	4060802	4-14	4460265	4-17, 4-19, 7-26, 7-32	4460892	7-33
3641345	4-5, 4-9	4060807	2-4	4460266	4-17, 4-19, 7-24, 7-30	4460894	7-33
3641351	4-5, 4-9	4060808	2-4	4460267	4-17, 4-19, 7-24, 7-25, 7-27, 7-30, 7-31, 7-32	4460898	7-33
3730124	7-33	4060992	2-11, 2-17	4460268	4-17, 7-25, 7-26, 7-27, 7-31, 7-32, 7-34	4460899	7-33
3740019	2-12	4061003	1-23	4460320	7-25, 7-26, 7-27, 7-32, 7-34	4460933	7-33
3740049	2-24, 2-49, 9-1	4070987	2-41	4460321	7-25, 7-31	4460934	7-33
3740151	2-12, 2-17	4070991	2-41	4460328	7-26	4460935	7-33
3760170	4-5, 4-9	4100033	2-4	4460346	7-26, 7-32	4460968	1-19, 7-25, 7-27, 7-32, 7-33
3760261	5-3	4130377	1-3	4460424	7-24, 7-25, 7-27, 7-30, 7-31, 7-32	4520233	1-4
3760321	4-3	4130380	1-4	4460428	7-25, 7-27, 7-31, 7-34	4565647	5-3
3760348	1-28, 4-3	4160097	2-12, 2-18	4460434	7-25, 7-31	4568094	1-21
3760368	5-7	4160116	1-23, 1-28	4460449	7-25, 7-27, 7-31, 7-34	4568295	4-3
3760387	3-3	4160185	2-45	4460464	7-24, 7-25, 7-30, 7-31, 7-33	4640113	1-4
3760419	3-3	4210017	1-27	4460465	1-19, 7-24, 7-25, 7-26, 7-27, 7-30, 7-31, 7-32, 7-33	4640495	5-3, 5-5
3760453	5-3	4220273	5-9	4460466	7-33	4641104	5-9
3760460	5-5, 5-7	4240018	2-4	4460467	7-27, 7-34, 10-2	4641109	2-4, 2-7
3820020	2-3, 4-5, 4-9	4240125	3-3	4460468	7-24, 7-30	4641121	2-4, 2-9
3841143	4-3	4240128	3-4	4460470	4-14, 7-24, 7-30	4641150	1-23, 1-24
3841146	1-3	4240140	2-3	4460471	4-14, 7-24, 7-30	4641151	1-24
3841233	4-3	4240141	2-3	4460473	7-24, 7-30	4641152	1-24
3841326	1-23	4280315	2-11, 2-17	4460480	4-14, 7-24, 7-30	4641156	5-3, 5-5
3841468	1-3	4280316	2-11, 2-17	4460481	7-24, 7-30	4641172	5-9
3841469	1-3	4340885	1-28	4460488	7-24, 7-30	4641238	1-28
3841564	1-28	4340886	1-27	4460499	7-25, 7-31, 7-33	4641240	1-28
3860059	4-3	4340887	2-43	4460510	7-27, 7-34, 10-2	4641374	1-27, 1-28
3900128	2-3	4341007	1-19	4460539	7-25, 7-31, 7-33	4711400	1-27, 2-4, 2-11, 2-12, 2-17, 2-18, 2-24, 2-43, 2-45, 4-5, 4-21, 5-9, 8-3, 8-8
3900170	5-3	4341135	4-21			4711500	1-4, 1-19, 1-20, 1-23, 1-27, 2-4, 2-17, 2-45, 2-49, 3-4, 4-3, 4-5, 4-9
3900178	4-14	4360070	2-42, 9-1			4711600	1-19, 1-23, 2-4, 2-12, 2-18, 2-24,
3900208	2-45	4360321	7-25, 7-27				
3900265	4-14	4360328	2-42, 9-1				
3900267	4-9	4360331	4-14				
3900281	2-41	4360387	2-42, 4-14, 9-1				
3900289	2-45	4360469	2-42, 9-1				
3900321	5-5, 5-7	4360475	2-42, 4-14, 9-1				
3910606	2-41	4360481	2-42				
		4360482	4-14, 4-15, 9-1				
		4360483	4-15, 9-1				

SECTION 11 PART NUMBER INDEX

Part Number	Page	Part Number	Page	Part Number	Page	Part Number	Page
	2-45, 3-4, 4-5, 4-9, 7-24, 7-30	4922447 4-15, 7-24, 7-30	70002320 2-25	7017924 2-25
4711800	1-20, 1-23, 1-27, 1-28, 2-12, 2-18, 2-24	4922453 2-49, 7-27, 7-34	70002321 2-25	7017937 2-26
4712000 1-4	4922454 1-23, 7-27	70002322 2-25	7017938 2-25, 9-1
4712200 1-3	4922455 1-23, 7-27	70002323 2-25	7017942 2-13, 2-19, 2-25
4713000 5-3, 5-5	4922456 1-23, 7-27	70002324 2-25	7017949 2-26
4740120 4-14	4922564 7-32	70002325 2-25	7017950 2-25, 9-1
4740333 3-4	4922630 1-19, 7-25, 7-32	70002326 2-25	7017955 2-25
4740415 1-23	4922713 7-26	70002327 2-25	7017963 2-26
4740438 3-4	4922748 1-27, 7-33	70002328 2-25	7017967 2-13, 2-19, 2-25
4740480 7-24, 7-30	4923135 2-43, 7-33	70002329 2-25	7017968 2-25
4740495 2-18	4923136 2-43, 7-33	70002330 2-26	7017969 2-25
4750600 2-42	4923137 1-19, 7-33	70002331 2-25	7017977 2-13
4750800	1-19, 1-23, 1-27, 2-45	4923293 2-42, 7-31	70002419 2-25	7017980 2-13, 2-19, 9-1
4751000 2-4, 4-9	4923295 2-43, 7-31	70003339 2-34	7017981 2-13, 2-19
4751400	1-20, 2-43, 2-46, 4-6, 4-10	4923296 2-42, 7-31	70003340 2-34	7017992	2-13, 2-19, 2-26, 9-1
4751600	1-20, 1-27, 2-4, 2-11, 2-17, 2-18, 2-23, 2-24, 2-49, 4-3, 4-6, 4-10	4923530 4-15, 7-30	70003624 2-14	7017998 2-13
4751800 1-20	4923531 4-15, 7-30	70003650 4-19	7017999 2-13, 2-19
4752000 1-3	4923532 4-15, 7-30	70004194 4-19	7018408 1-12
4752200 4-3	4923533 4-15, 7-30	7001626 5-13	7018411 1-11, 1-17
4760600 2-42, 4-14	70000081 4-19	7002818 10-2	7018435 1-17
4761000 2-42	70000082 4-19	7002820 10-2	7018436 1-11, 1-17
4761400 2-43, 2-49	70000083 4-19	7002821 7-27, 7-34	7018903 2-7
4791400 4-14	70000084 4-19	7002823 7-27, 7-34, 10-2	7018904 2-7
4845829 4-5	70000085 4-19	7002826 10-2	7018936 2-33
4845938 4-14	70000620 2-14	7002828 7-27, 7-34	7018942 2-7
4846024 3-4	70000621 2-14	7003226 5-9	7019878 5-10
4846116 1-20	70000622 2-14	7003790 4-17	7019879 5-9
4846120 4-5, 4-9	70000623 2-14	7003791 4-17	7019880 5-9
4846121 4-5, 4-9	70000624 2-14	7004275 10-2	7019881 5-9
4846122 4-9	70000627 2-14	7004276 10-2	7019882 5-9
4846143 4-3	70000628 2-14	7010543 2-7	7020020 2-3
4846146 1-23	70000683 4-19	7010635 2-49, 9-1	7020175 2-42, 4-14
4846181 4-5, 4-9	70000684 4-19	7011940 4-17	7020176 2-42, 4-14
4846191 4-6, 4-9	70000685 4-19	7011997 4-17	7020253 2-4
4846249 4-15	70000686 4-19	7012773 2-7	7020256 2-4
4846256 4-6, 4-10	70000934 2-3	7012903 1-24	7020257 2-3
4846271 4-21	70001140 2-25	7012904 2-9	7020500 4-17
4846584 5-5, 5-7	70001381 2-14	7012941 2-7	7020501 4-17
4860207 1-4	70001382 2-14	7012943 1-24, 2-49, 9-1	7020502 4-17
4891800 1-3	70001383 2-14	7012944 2-7, 9-1	7020503 4-17
4922336 2-42, 7-25	70001439 2-14, 2-19	7012953 2-7	7020504 4-17
4922339 2-42, 7-25	70001865 2-26	7012967 2-7, 2-9	7020509 4-17
4922365 2-43, 7-24	70001933 2-25	7012975 2-9	7020511 4-17
4922378 2-42, 7-25	70001934 2-25	7012998 2-7	7020520 4-17
4922379 7-24, 7-30	70001935 2-25	7014802 2-4	7020527 4-17
4922391 4-15, 7-24, 7-30	70001968 2-33	7014811 2-4	7020528 4-17
4922428 3-4, 7-25, 7-31	70002089 2-13	7014816 2-4	7020529 4-17
4922436 2-43, 7-24	70002195 2-13	7016312 2-3	7020530 4-17
4922437 4-15, 7-24, 7-30	70002196 2-13	7017290 5-13	7020531 4-17
4922439 7-26, 7-32	70002197 2-14	7017291 5-13	7020532 4-17
4922446 4-15, 7-24, 7-30	70002198 2-14	7017294 5-13	7020533 4-17
		70002199 2-14	7017387 5-9	7020534 4-17
		70002272 2-25	7017405 2-9	7020535 4-17
		70002273 2-25	7017410 2-7	7020541 4-17
		70002274 2-26	7017418 2-7	7021365 2-7
		70002275 2-26	7017425 2-9	7021375 2-7
		70002316 2-26	7017454 1-24	7021376 2-7, 9-1
		70002317 2-26	7017901	2-13, 2-19, 2-25, 9-1	7021628 2-7
		70002319 2-25	7017923 2-25, 9-1	7021629 2-7

SECTION 11 PART NUMBER INDEX

Part Number	Page	Part Number	Page	Part Number	Page	Part Number	Page
7021653	1-24	7023184	2-13	7023819	2-37	7024085	2-35
7022380	2-29	7023190	2-13, 2-19	7023834	2-30	7024086	2-35
7022523	2-7, 2-9	7023191	2-13	7023854	2-31	7024087	2-35
7022524	2-9	7023192	2-13	7023855	2-31	7024088	2-35
7022527	2-7	7023193	2-13	7023856	2-31	7024089	2-35
7022529	2-7	7023194	2-13	7023859	2-31	7024441	2-4
7022531	2-7	7023195	2-13	7023877	2-29	7024443	2-4
7022585	1-8	7023197	2-13	7023878	2-29	7024445	2-4
7022586	1-7, 1-15	7023198	2-13, 2-19	7023879	2-29	7024446	2-4
7022587	1-7, 1-15	7023199	2-26	7023881	2-29, 2-34	7024497	1-28
7022588	1-7, 1-15	7023206	2-3	7023882	2-29	7024498	1-28
7022589	1-7	7023207	2-3	7023883	2-30	7024499	1-28
7022590	1-7, 1-15	7023208	2-7	7023884	2-30	7024500	1-28
7022591	1-7, 1-15	7023209	2-7	7023885	2-30	7024501	1-28, 9-1
7022592	1-7	7023210	2-7	7023886	2-30	7024502	1-28
7022593	1-7	7023219	2-4	7023887	2-29	7024503	1-28
7022594	1-7	7023232	2-49	7023888	2-29	7024504	1-28
7022595	1-7	7023233	2-49	7023889	2-29	7024505	1-28
7022596	1-7	7023234	2-49	7023890	2-30	7024506	1-28
7022597	1-7	7023235	2-49	7023891	2-30	7024507	1-28
7022598	1-8	7023236	2-49	7023892	2-30	7024822	1-24
7022599	1-8	7023238	2-49	7023893	2-30	7024873	2-9
7023005	5-13	7023247	2-49	7023894	2-30	7024908	2-34
7023006	5-13	7023276	1-11, 1-17	7023895	2-30	7024929	2-7
7023101	2-14, 2-19	7023278	1-11, 1-17	7023896	2-30	7024960	2-39
7023102	2-14, 2-19	7023279	1-11, 1-17	7023897	2-30	7026121	2-4
7023103	2-14, 2-19	7023280	1-11, 1-17	7023898	2-30	7026191	1-12
7023105	2-13, 2-19, 9-1	7023281	1-11, 1-17	7023899	2-31	7026201	2-13
7023111	2-13, 2-19	7023282	1-11, 1-17	7023916	2-7	7026202	2-26
7023113	2-13, 2-19	7023283	1-11, 1-17	7023971	2-7	7026204	2-13, 2-19
7023114	2-13, 2-19	7023284	1-11, 1-17	7023972	2-7	7026205	2-25
7023115	2-13	7023285	1-17	7023973	2-7	7026209	2-13
7023120	2-14, 2-19	7023286	1-11, 1-17	7023974	2-7	7026211	2-14, 2-19, 2-26
7023124	2-13, 2-19, 2-25	7023287	1-11, 1-17	7023975	2-7	7026575	2-4
7023125	2-13, 2-19	7023288	1-11, 1-17	7023976	2-7	7027365	4-19
7023126	2-13, 2-25	7023289	1-11, 1-17	7024000	2-31	7027367	4-19
7023127	2-13	7023290	1-11, 1-17	7024001	2-31	7027765	4-19
7023128	2-13, 2-19	7023291	1-11, 1-17	7024002	2-31	7027766	4-19
7023137	2-25	7023292	1-11, 1-17	7024003	2-31	7027888	1-11, 1-17
7023141	2-25	7023293	1-11	7024004	2-31, 2-34	7028877	2-33
7023144	2-25	7023294	1-11	7024005	2-31, 2-35	80934596	2-33
7023148	2-26	7023295	1-11	7024006	2-31	80934644	2-35
7023149	2-26	7023296	1-12	7024007	1-15	9884263	5-9
7023153	2-13, 2-19, 9-1	7023297	1-12	7024008	1-15		
7023160	2-25	7023298	1-12	7024064	2-33		
7023164	2-25	7023301	1-12, 1-17	7024065	2-33, 2-34		
7023169	2-13, 2-19, 2-25	7023302	1-11, 1-17	7024068	2-33, 2-35		
7023170	2-25	7023303	1-11, 1-17	7024069	2-33		
7023172	2-25	7023304	1-12	7024070	2-33		
7023173	2-13, 2-19, 2-25	7023305	1-12	7024071	2-34		
7023174	2-13, 2-19	7023800	1-8	7024072	2-34		
7023176	2-13	7023801	1-15	7024073	2-34		
7023177	2-25, 9-1	7023806	1-7, 1-15	7024075	2-34		
7023178	7-25, 7-31	7023807	1-7, 1-15	7024076	2-34		
7023179	7-25, 7-31	7023808	2-37	7024077	2-34		
7023180	7-25, 7-31	7023813	2-37	7024081	2-34		
7023181	7-25, 7-31	7023816	2-37	7024082	2-34		
7023182	7-25, 7-31	7023817	2-37	7024083	2-35		
7023183	7-25, 7-31	7023818	2-37	7024084	2-35		



3121109



An Oshkosh Corporation Company

Corporate Office
JLG Industries, Inc.
1 JLG Drive
McConnellsburg PA. 17233-9533
USA

☎ (717) 485-5161

📠 (717) 485-6417

JLG Worldwide Locations

JLG Industries (Australia)
P.O. Box 5119
11 Bolwarra Road
Port Macquarie
N.S.W. 2444
Australia

☎ +61 2 65 811111

📠 +61 2 65 813058

JLG Latino Americana Ltda.
Rua Eng. Carlos Stevenson,
80-Suite 71
13092-310 Campinas-SP
Brazil

☎ +55 19 3295 0407

📠 +55 19 3295 1025

JLG Industries (UK) Ltd
Bentley House
Bentley Avenue
Middleton
Greater Manchester
M24 2GP - England

☎ +44 (0)161 654 1000

📠 +44 (0)161 654 1001

JLG France SAS
Z.I. de Baulieu
47400 Fauillet
France

☎ +33 (0)5 53 88 31 70

📠 +33 (0)5 53 88 31 79

JLG Deutschland GmbH
Max-Planck-Str. 21
D - 27721 Ritterhude - Ihlpohl
Germany

☎ +49 (0)421 69 350 20

📠 +49 (0)421 69 350 45

JLG Equipment Services Ltd.
Rm 1107 Landmark North
39 Lung Sum Avenue
Sheung Shui N. T.
Hong Kong

☎ (852) 2639 5783

📠 (852) 2639 5797

JLG Industries (Italia) s.r.l.
Via Po. 22
20010 Pregnana Milanese - MI
Italy

☎ +39 029 359 5210

📠 +39 029 359 5845

Oshkosh-JLG Singapore
Technology Equipment Pte
Ltd
29 Tuas Ave 4,
Jurong Industrial Estate
Singapore, 639379

☎ +65-6591 9030

📠 +65-6591 9031

Plataformas Elevadoras
JLG Iberica, S.L.
Trapadella, 2
P.I. Castellbisbal Sur
08755 Castellbisbal, Barcelona
Spain

☎ +34 93 772 4700

📠 +34 93 771 1762

JLG Sverige AB
Enkopingsvagen 150
Box 704
SE - 176 27 Jarfalla
Sweden

☎ +46 (0)850 659 500

📠 +46 (0)850 659 534